

(1 Set) Illuminated Channel Letters

"EMERALD CAMPUS", "SHAMROCK" AND "DUBLIN CITY SCHOOLS", INDIVIDUAL ALUMINUM FORMED LETTERS.

TRANSLUCENT ACRYLIC FACES ILLUMINATED WITH LED LIGHT CLUSTERS HOUSED INSIDE EACH SHAPE. FACES HELD IN WITH TRIMCAP RETAINERS. **UL LISTED #E153594**

4" DEEP FABRICATED LETTERS ARE MOUNTED TO PROJECTING PORTION OF CONCRETE FASCIA USING A MINIMUM OF (4) 1/4" x 3" GALVANIZED WEDGE BOLT ANCHORS AND CONCEALED GALVANIZED STUDS PER LETTER.

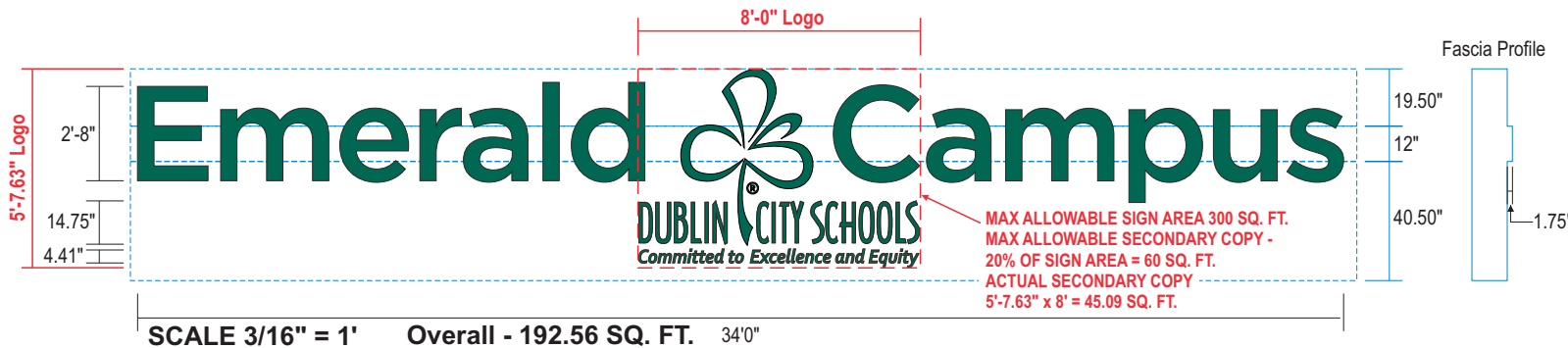
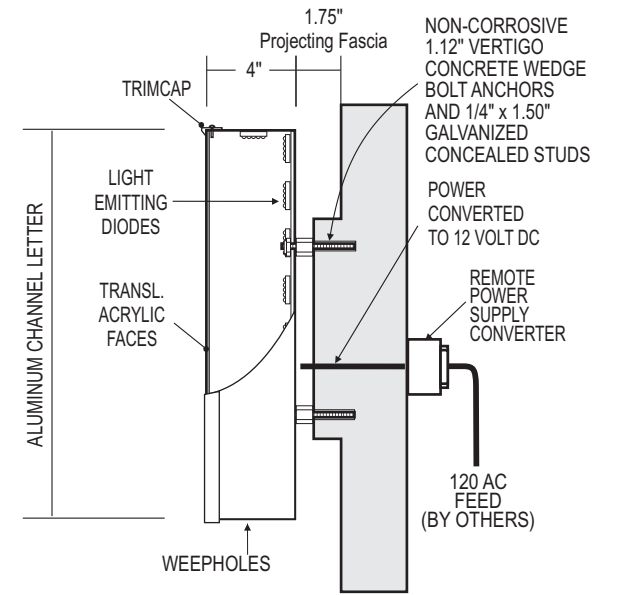
REMOTE ELECTRIC & POWER UNITS.

WIRED TO EXISTING ELECTRICAL SERVICE - PANEL PD-2, CIRCUIT #84

COLORS:

LETTER FACES - TRANSLUCENT GREEN, PMS #3298 (CLOSEST MATCH FOR CLIENT APPROVAL)

TRIMCAP & RETURNS - MAP BLACK



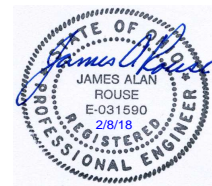
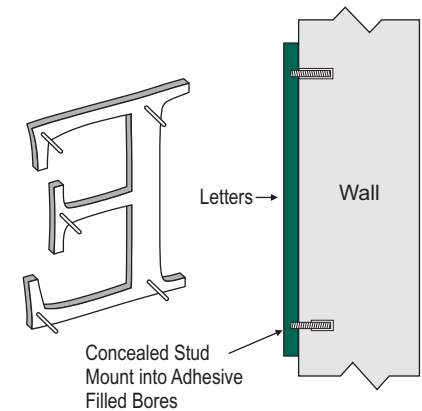
(1 Set) Non-Illuminated Dimensional Letters

"TAGLINE", INDIVIDUAL 1/4" THICK ROUTED ALUMINUM LETTERS.

LETTERS ARE MOUNTED FLUSH TO CONCRETE FASCIA USING A MINIMUM OF (4) 1/4" x 2" CONCEALED STUDS PER LETTER INTO SILICONE ADHESIVE FILLED BORES. FASCIA SURFACE UNEVEN. USE LONGER STUDS AND CONCEALED SPACERS AS NEEDED TO MOUNT LETTERS LEVEL.

COLORS:

LETTERS - GREEN, PMS #3298



2017 OBC - ASCE 7-10
* Wind Load - Risk Category II:
Speed - V_{ASD} = 90 mph
Exposure B

VERIFY ALL MEASUREMENTS AND DIMENSIONS PRIOR TO PRODUCTION



CLIENT APPROVAL _____ DATE _____

PRODUCTION ART REQUIRED
Colors on Printed Documents May Vary

PROJECT NAME DUBLIN CITY SCHOOLS
LOCATION _____
CITY COLUMBUS STATE OHIO

REVISION 11-14-17 12-4-17
12-12-17 2-2-18

SALES BMS
DESIGN RAF
SIZE 14

DATE 11-3-17
SCALE Noted
PROJECT# 17561