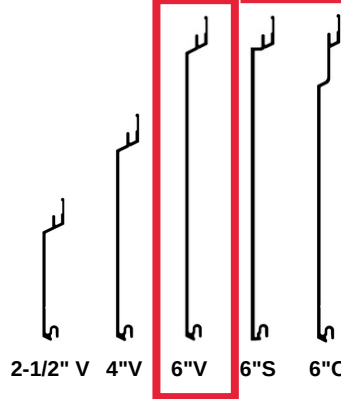
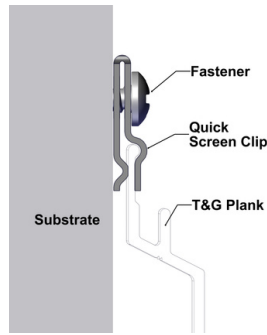
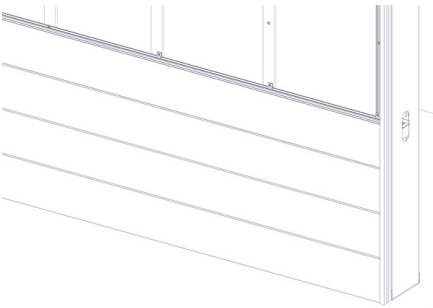


TONGUE & GROOVE CLADDING SYSTEM

March 2023

CLG-12
FINISH: "Dark Fir" DFR

TYPICAL ISOMETRIC



PROFILES

V-Groove: 2-1/2", 4", 6"
Smooth: 6"
Channel: 6"
Standard Lengths: 24'
96 SQ FT/box

COMPONENTS - Standard Lengths: 12'

Traditional: Starter Strip, Back-to Back Starter Strip, 2" Corner Set, 1-3/8" Two Piece J-Track, 1-3/8" Termination Set, Compression Joint (24'), 1-1/2" Flat Reveal Set, 1-1/2" U-Reveal Set, 1-1/2" T&G U-Reveal, 2" Offset Flat Reveal

Craftsman: 3/4" Inside Corner, 1" Outside Corner, 3/4" U-Reveal Set, 3/4" T&G U-Reveal

Precision: 5/8" Starter J-Track, 3/16" Outside Corner, 5/8" J-Track, 5/8" Two Piece J-Track, 5/8" Termination Set, 1/2" Flat Reveal, 1/2" T&G Flat Reveal

T&G_IS_RB_V3

FINISHES

Woodgrains, solid color, naturally aged metal, custom solid colour matching (additional lead times apply)

ATTACHMENT

Planks: Quick-screen clips w. #8 screws* @ 32" o.c. (standard).
Quick-screen clips included: 135 pcs/4" box, 90 pcs/6" box.
Trims: hard fasten w. #8 screws* @ 16" o.c. *Screws not included.

BIM & CAD

RVT & DWG files available, see website for details

LEAD TIME

3-6 business days + shipping (subject to change)



info@longboardproducts.com
longboardproducts.com
800 604 0343

TECHNICAL SPECIFICATIONS

PHYSICAL DATA

6063-T5 Extruded Aluminum
100% Recyclable
Warranty: Finish:15 year (standard)/20 year* (ultra) (*10 week lead time);
Aluminum: 50 year
Weight (lbs/sqft): ~1.5

TESTING

ICC-ES Evaluation Report - Division: 07 00 00 Thermal and Moisture Protection
Section: 07 46 00 - Siding

AAMA 509 Rainscreen: W1, V2

LARR - Los Angeles Department of Building Safety (LADBS) accepts ICC-ES reports as proof of compliance

Florida Product Code: FL20075

Miami Dade, Florida, Notice of Acceptance(NOA): NOA No. 22-0209.01
-Expiration Date: January 26, 2028

Impact testing: TAS 201

WUI (The Wildland-Urban Interface) – California Department of Forestry & Fire Protection Office of the State Fire Marshal Listing No. 8140-2286:0500



Fire Rating: Class A Non-Combustible by ASTM E136 & ASTM E84 ;
A2-s1,d0 by EN 13501-1



Light Reflectance: 5% (Black) up to 73.2% (Ultra White)

Wind load: Up to 121 psf (5794 Pa) TAS 202, TAS 203

Components

Components (Typical)

T&G Cladding system consists of many components used in conjunction with each other to create a seamless look. For all LB components go to longboardproducts.com.

V-Groove Planks

Size	12' *	24' *	12' Perf *	24' Perf *
2 1/2"	3V.145	3V.289	3VP.145	3VP.289
4"	4V.145	4V.289	-	-
6"	6V.145	6V.289	6VP.145	6VP.289

Smooth Planks

Size	12' *	24' *	12' Perf *	24' Perf *
6"	6PSP.145	6PSP.289	6PSP.145	6PSP.289

Channel Planks

Size	12' *	24' *
6"	6CH.145	6CH.289

Accessories

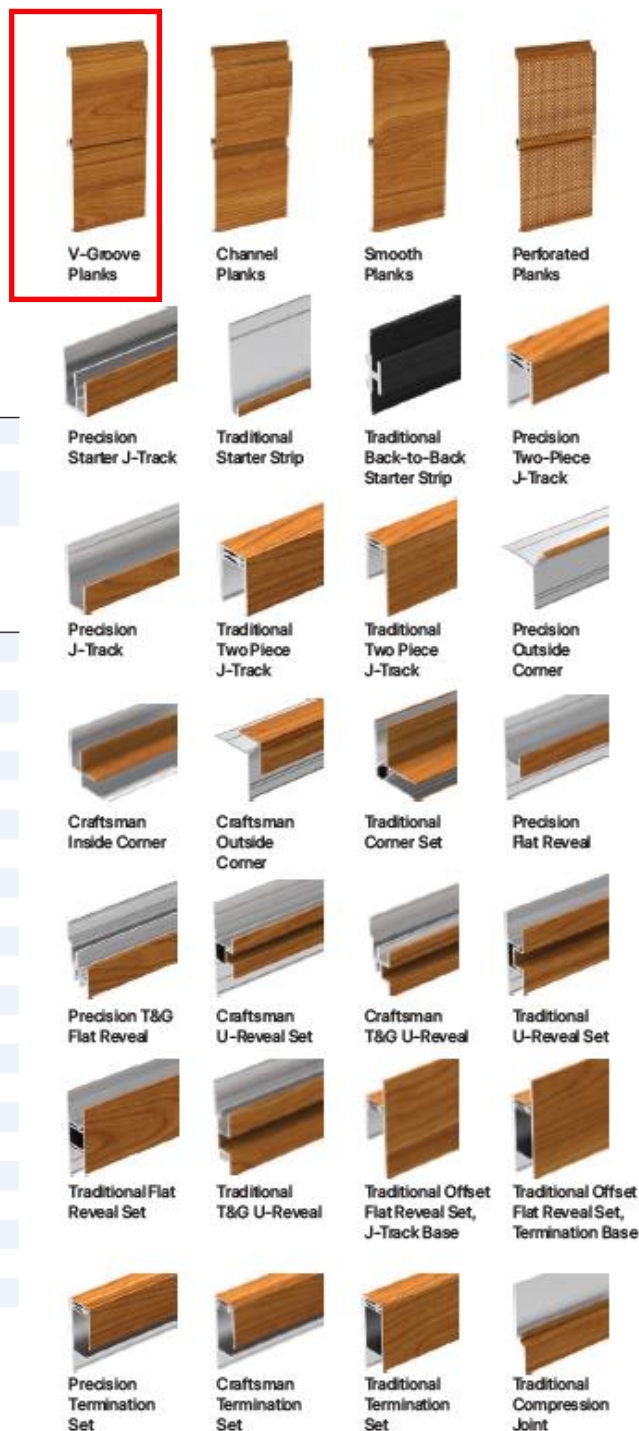
Product	Qty	SKU
Quick Screen Clips	1750, box	CLJP.N1750
Quick Screen Clips	100, bag	CLJP.N100
Touch Up Pens	N/A	TUP

Reach out to confirm color with account manager.

Component Trims

Type	Style	Product	Dimensions	SKU
Starter	Precision	Starter J-Track	(5/8") - 12'	1SJT.145
Starter	Traditional	Starter Strip	(1-7/8") - 12'	2SS.145
Starter	Traditional	Back-to-Back Starter Strip	(1-1/4")	2BTSS.145
J-Track	Precision	Two Piece J-Track	(5/8") - 12'	1X1JT.145
J-Track	Precision	J-Track	(5/8") - 12'	1JT.145
J-Track	Craftsman	Two Piece J-Track	(7/8") - 12'	JT23S.145
J-Track	Traditional	Two Piece J-Track	(1-3/8") - 12'	1X2JT.145
Corner	Precision	Outside Corner	(3/16") - 12'	05OC.145
Corner	Craftsman	Inside Corner	(3/4") - 12'	1IC.145
Corner	Craftsman	Outside Corner	(1") - 12'	1OC.145
Corner	Traditional	Corner Set	(2") - 12'	2CORS.145
Reveal	Precision	Flat Reveal	(1/2") - 12'	1FR.145
Reveal	Precision	T&G Flat Reveal	(1/2") - 24'	1TGFR.289
Reveal	Craftsman	U-Reveal Set	(3/4") - 12'	1URS.145
Reveal	Craftsman	T&GU-Reveal	(3/4) - 24'	1TGURK.289
Reveal	Traditional	U-Reveal Set	(1-1/2") - 12'	2URS.145
Reveal	Traditional	Flat Reveal Set	(1-1/2") - 12'	2FRS.145
Reveal	Traditional	T&GU-Reveal	(1 1/2") - 24'	2TGURK.289
Reveal	Traditional	Offset Flat Reveal Set, J-Track Base	(2") - 12'	2OFFJ.145
Reveal	Traditional	Offset Flat Reveal Set, Termination Base	(2") - 12'	2OFFT.145
Termination	Precision	Termination Set	(5/8") - 12'	1TS.145
Termination	Craftsman	Termination Set	(7/8") - 12'	TS.145
Termination	Traditional	Termination Set	(1-3/8") - 12'	2TS.145
Compression Joints	Traditional	Compression Joint	(1-3/8") - 24'	2CJ.289

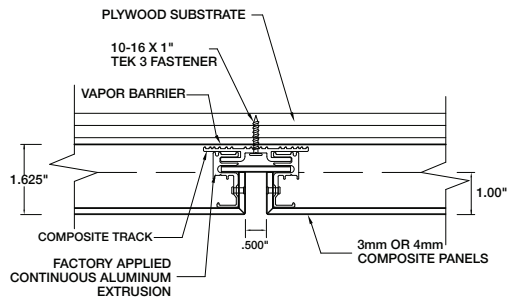
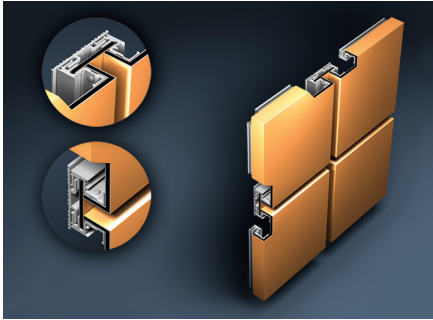
* 48 sq. ft. box quantities † 96 sq. ft. box quantities



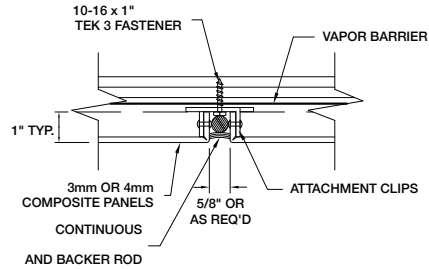
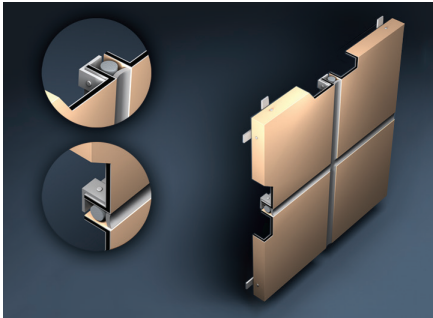
COMPOSITE WALL PANELS

MTL-8

PAC-3000 RS



PAC-3000 CS



PRODUCT FEATURES

- ▶ Available in a wide variety of non-PAC-CLAD colors and finishes
- ▶ Consult Petersen rep for color options (extra fee applies for PAC-CLAD colors)
- ▶ Precise fabrication to meet exacting tolerances
- ▶ Rout-and-return fabrication
- ▶ Welded corners available

MATERIALS

- ▶ 3mm, 4mm, 6mm – Composite
- ▶ .063 - .125 Mill Finish Aluminum
- ▶ Zinc
- ▶ Stainless steel
- ▶ Anodized aluminum

TESTS


- ▶ ASTM E283*
 - ▶ ASTM E330*
 - ▶ ASTM E331*
- * Composite material only

PVDF WOOD GRAIN FINISHES



When the performance of metal is required but the look of wood is desired, Petersen's wood grain textures are ready to dazzle. Petersen's PAC-CLAD wood grain patterns will convince the casual observer that metal is actually wood. A lineup of 16 wood grain patterns ensures creative design and flexibility and can deliver a finishing touch to any project.

PAC-CLAD PVDF wood grain finishes combine the beauty of wood with the durability of metal. The patterns are nearly indistinguishable from actual wood, and they provide architects and designers with creative flexibility on highly functional surfaces. Wood grain finishes are available on all PAC-CLAD wall panels. Consult PAC-CLAD representative to discuss warranty, lead time and related issues.

 Printed colors are not exact representations of actual PAC-CLAD Wood Grain Finishes. Please ask a PAC rep for color samples before making a final selection.



Beechwood



Charwood



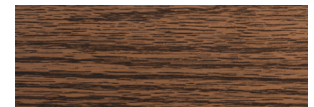
Copper



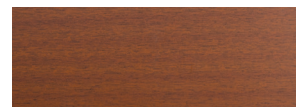
Dark Oak



Golden Bamboo



Medium Oak



Long Grain Cherry



Red Oak



Sycamore



Cherrywood Oak



Long Grain Oak



Golden Maple



Light Oak



Siamese Bamboo



Sugar Maple



Whitewash Oak

PRODUCT FEATURES

- ▶ Steel: 22 gauge, 24 gauge
- ▶ Aluminum: .032, .040, .050
- ▶ Coil available only in 36.25" width



HQ: 1005 Tonne Road
Elk Grove Village, IL 60007
P: 800-PAC-CLAD
F: 800-722-7150

9060 Junction Drive
Annapolis Junction, MD 20701
P: 800-344-1400
F: 301-953-7627

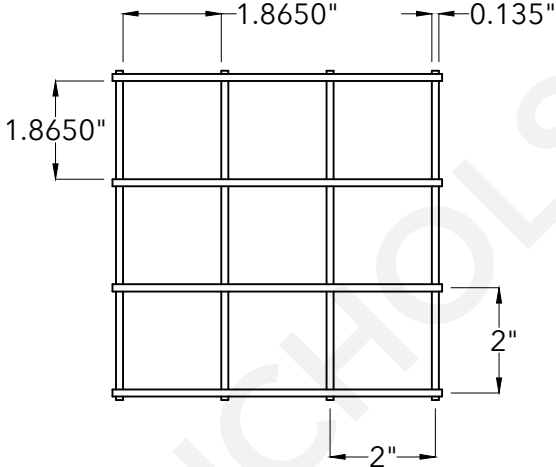
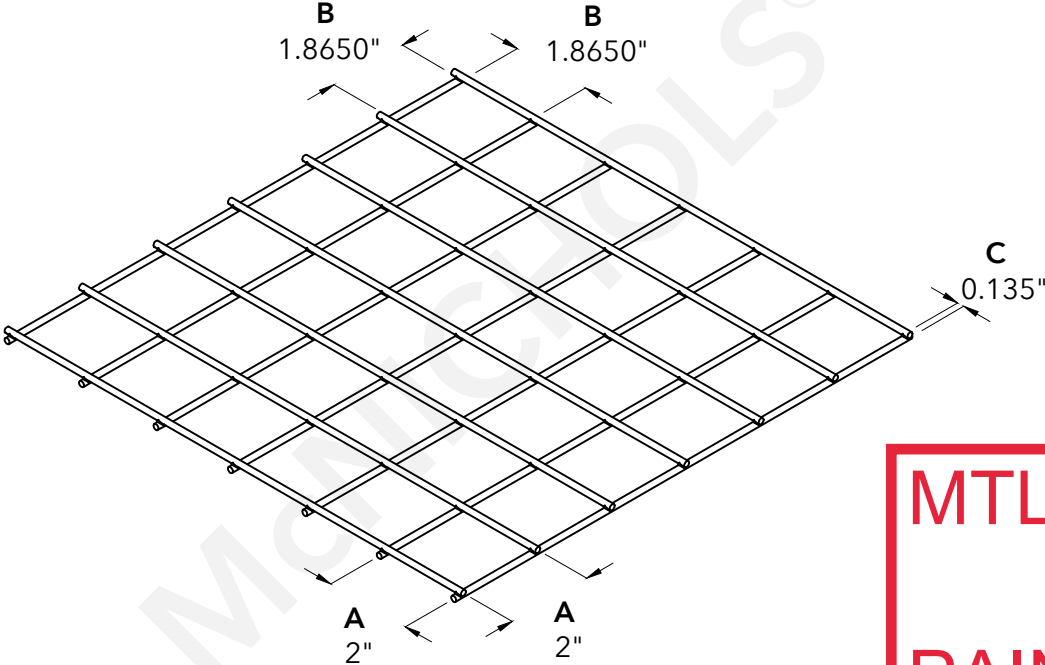
10551 PAC Road
Tyler, TX 75707
P: 800-441-8661
F: 903-581-8592

102 Northpoint Parkway
Acworth, GA 30102
P: 800-272-4482
F: 770-420-2533

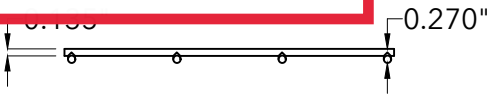
1800 S. 7th Ave., Suite 130
Phoenix, AZ 85007
P: 833-750-1935
F: 602-254-6504

9817 233rd Ave. E Suite A
Bonney Lake, WA 98391
P: 253-501-2450

Top View



MTL-9
PAINT PT-9



McNICHOLS®

800.237.3820

mcnichols.com

Drawing is for visual and conceptual purposes, is not to scale, and is based on nominal manufacturing data subject to standard production tolerances. **McNICHOLS CO.** does not provide engineering services of any kind. Technical information provided is for evaluation by technically skilled persons only, with any use thereof to be at their independent discretion and risk. **McNICHOLS CO.** shall have no responsibility or liability for results obtained or damages resulting from improper evaluation or use. **McNICHOLS CO.** makes no representation or warranty of any kind, express or implied, at law or in equity, regarding drawing including with respect to merchantability, fitness for any particular use or purpose, or design. All other representations or warranties are hereby disclaimed. This document and other related documents are subject to **McNICHOLS CO.** Terms and Conditions.

McNICHOLS® WIRE MESH

MESH TYPE	Square Mesh
CONSTRUCTION TYPE	Welded
PRIMARY MATERIAL	Galvanized Steel
WEAVE or TRIM TYPE	Welded - Trimmed
PERCENT OPEN AREA	87%
A MESH SIZE	2" x 2"
B OPENING SIZE	1.8650" x 1.8650"
C WIRE DIAMETER/WIRE GAUGE	0.135" Thick (10 Gauge)

DRAWING

NOT TO SCALE

Item Number 34B21350

Revision Date 02.19.2021

Page Number 1 of 1

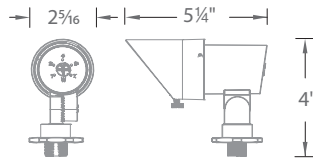
© 2021 **McNICHOLS CO.**
All Rights Reserved.

MINI ACCENT 12V

5111

WAC

LANDSCAPE LIGHTING



Fixture Type:

EG-1

Catalog Number:

Project:

Location:

PRODUCT DESCRIPTION

Landscape mini accent luminaire. One fixture replaces all older halogen landscape accent lights

FEATURES

- Continuously Adjustable Beam Angles. Indexed at 10°, 25°, 40°, 50°
- Continuously Adjustable brightness control. Indexed at 1W, 2W, 4W, 6W, 7W
- Adjustable beam angle
- IP66 rated, Protected against high-pressure water jets
- Includes a detachable shroud
- Solid diecast brass or corrosion resistant aluminum
- Factory sealed water tight fixtures
- Constant output for 9V-15V input
- Can be used as an uplight or downlight
- 2700K or 3000K color temperature
- Mounting stake, detachable shroud, 6' lead wire and direct burial gel filled wire nuts included

SPECIFICATIONS

- Input:** 9-15VAC
- Power:** 1W to 7W / 2VA -10.5VA
- Brightness:** 45 lm to 365 lm
- Beam Angle:** 10° to 50°
- CRI:** 85
- Rated Life:** 70,000 hours

ORDERING NUMBER

	Color Temp	Finish
5111 Mini Accent 12V	27 2700K Warm White	BZ Bronze on Aluminum
	30 3000K Pure White	BBR Bronze on Brass

5111-30_____

Example: 5111-30BBR

wacighting.com
Phone (800) 526.2588
Fax (800) 526.2585

Headquarters/Eastern Distribution Center
44 Harbor Park Drive
Port Washington, NY 11050

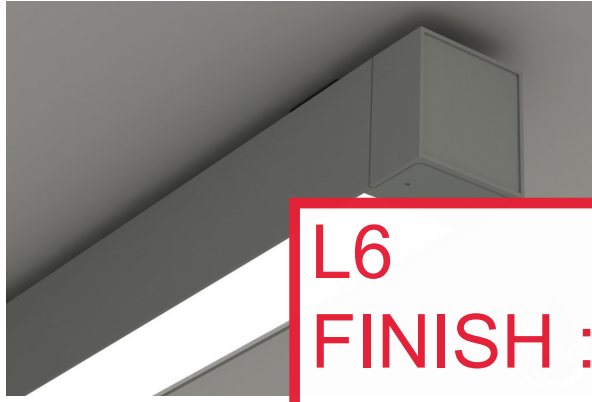
Central Distribution Center
1600 Distribution Ct
Lithia Springs, GA 30122

Western Distribution Center
1750 Archibald Avenue
Ontario, CA 91760

Microlinea™ Series 3 Direct Wet Location - IP66

(Overall Width 3-17/32", Luminous Aperture 3-7/32")

Catalog Number	Type
Project Name	



L6
FINISH :
TEXTURED BLACK

ML3WL66-D IP66 Rated

Suspended, Ceiling, Recessed or
Wall Mount - Wet Location

3-17/32" x 3-29/32" Direct

Housing

One piece .125" thick extruded aluminum housing with cast aluminum end caps are fully gasketed and secured with no visible fasteners. Standard lengths are nominal 2', 3', 4', 6' and 8'. Provisions may be made for continuous rows of virtually any length.

Internal Construction

All internal mechanical components, including fasteners, are aluminum or stainless steel.

Finish

Standard and custom finishes are baked powder coat electrostatically applied (2.0 mil minimum thickness) to assure aesthetics and durability.

Optical Controls

- (LOH) .100" thick, high transmittance extruded acrylic snap-in lens, for max. diffusion of the LED light source. Lens continuously gasketed against dust and water intrusion.
- (VR) Vandal Resistant: .100" thick, high transmittance extruded 100% D.R. acrylic lens with tamper-resistant hardware.

Reflector/Heat Sink

.060" thick formed aluminum finished with a high reflectance white baked powder coat.

Driver

Power supply is UL/CUL recognized, 120-277 universal voltage. 347V also available.

4000K CCT, in High and medium outputs.

See below and following page for photometric data: lumen outputs, input power (watts), and efficacies.

Due to continued advancement in LED technology, lumen performance is subject to change. Please visit our website for the most up-to-date information.

Circuitry

All fixtures are factory pre-wired for a single circuit. Provision for multiple switching/circuiting is optional.

Wiring

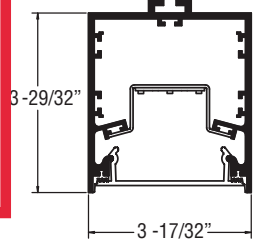
All fixtures intended for continuous rows are provided with factory installed quick-connect wiring.

Mounting

All mounting components are aluminum or stainless steel. Standard finish for wall and ceiling assemblies is matte black. Stem/Canopy assemblies are painted to match fixture housing.

Certifications

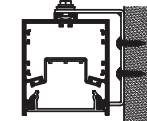
Fixtures are ETL listed for use in 'Wet Locations'. Ambient operating temperature rated from -30° C up to 50° C, and 0° C up to 50° C with battery back-up. IP-66 rated** IC rated (Recess Mount)



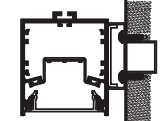
ML3WL66-D-HO
ML3WL66-D-MO



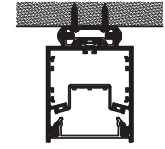
Rigid Stem



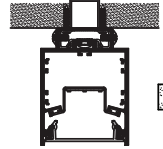
Wall



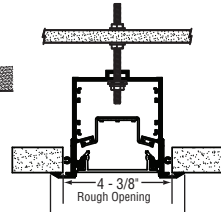
Wall Recessed J-Box



Ceiling



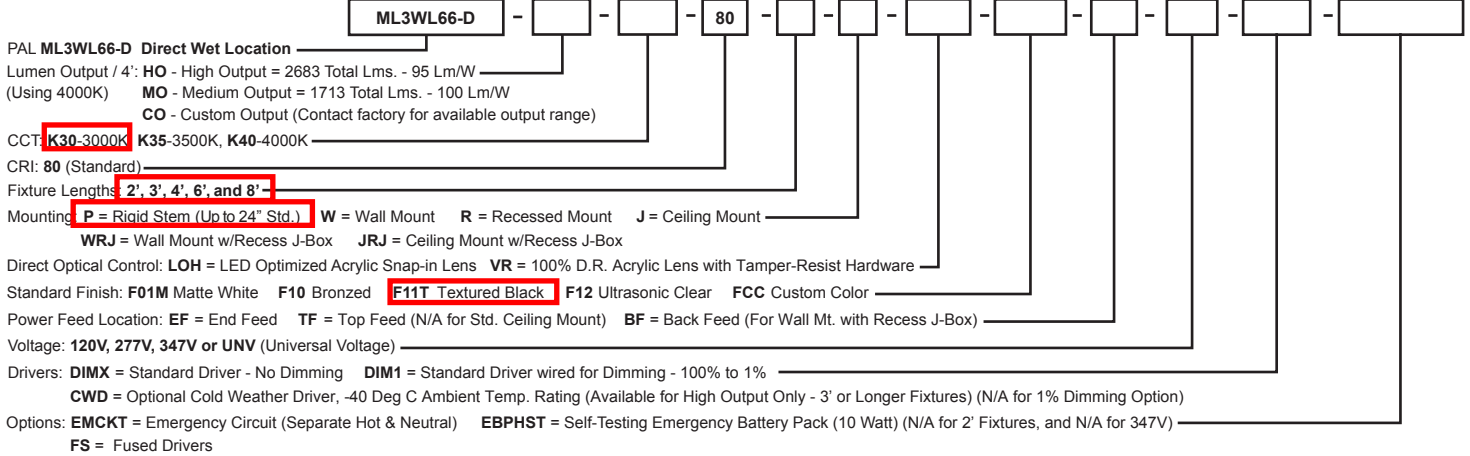
Ceiling Recessed J-Box



Recessed

**The IP (or Ingress Protection) rating defines the degree of protection for a luminaire from outside elements.

Sample Catalog Number: **ML3WL66-D - HO - K40 - 80 - 4 - P - LOH - F01M - EF - 120 - DIM1 - OPTIONS**



Precision Architectural Lighting 4830 Timber Creek Drive Houston, Texas 77017
Tel 713.946.4343 Fax 713.946.4441 www.pal-lighting.com



Made in America

Suspended/Ceiling/Recessed/Wall

ML3WL66-D-HO-K40-LOH



Wet Location Direct-High Output

LED Optimized High Transmittance Lens

Catalog Number: ML3WL66-D-HO-K40-4'-X-LOH-120

Report Number: #LLIA000676-002A.ies

Luminaire Description: Extruded Aluminum Housing with White Aluminum Reflector and LED Optimized Acrylic Lens

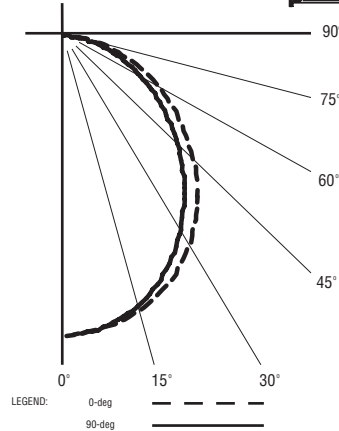
LED Module: Multiple White Low-Power Light Emitting Diodes (LEDs) in a precise layout.

Total Luminaire Efficacy = 94.8 Lm/W

Input Power / 4' = 28.3 W

0% Up 100% Down

Color Rendering Index (CRI) = 83



ZONAL LUMEN SUMMARY

Zone	Lumens	%Fixture
0- 30	902	33.6
0- 40	1408	52.5
0- 60	2262	84.3
0- 90	2683	100.0
90- 180	0	0.0
0- 180	2683	100.0

CANDELA DISTRIBUTION

	0.0	22.5	45.0	67.5	90.0
0	1250	1250	1250	1250	1250
5	1242	1236	1245	1240	1234
15	1178	1165	1159	1141	1131
25	1054	1033	1003	967	952
35	884	855	810	761	743
45	687	659	610	559	542
55	492	471	425	382	368
65	313	298	262	231	219
75	154	145	123	104	96
85	34	29	18	11	9
90	0	0	0	0	0

Precision Architectural Lighting

LED lighting facts®
A Program of the U.S. DOE

Light Output (Lumens) **2683**

Watts **28.3**

Lumens per Watt (Efficacy) **94.81**

Color Accuracy **83**

Color Rendering Index (CRI)

Light Color **4003 (Bright White)**

Correlated Color Temperature (CCT)

2700K 3000K 4500K 6500K

All results are according to IESNA LM-79-2008: Approved Method for the Electrical and Photometric Testing of Solid-State Lighting. The U.S. Department of Energy (DOE) verifies product test data and results.

Visit www.lightingfacts.com for the **Label Reference Guide**.

Registration Number: 1NRP-SRZEGR (2/21/2017)
Model Number: ML3WL-D-HO-K40-4'-X-LOH-X-X-UNV
Type: Luminaire - Linear

ML3WL66-D-MO-K40-LOH



Wet Location Direct-Medium Output

LED Optimized High Transmittance Lens

Catalog Number: ML3WL66-D-MO-K40-4'-X-LOH-120

Report Number: #LLIA000676-001A.ies

Luminaire Description: Extruded Aluminum Housing with White Aluminum Reflector and LED Optimized Acrylic Lens

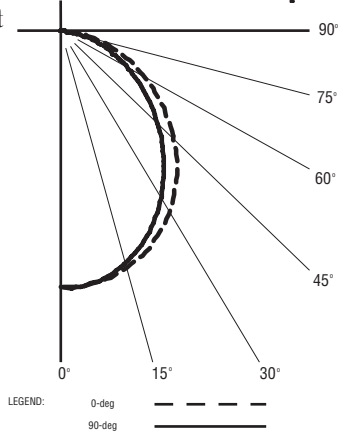
LED Module: Multiple White Low-Power Light Emitting Diodes (LEDs) in a precise layout.

Total Luminaire Efficacy = 99.7 Lm/W

Input Power / 4' = 17.2 W

0% Up 100% Down

Color Rendering Index (CRI) = 83



ZONAL LUMEN SUMMARY

Zone	Lumens	%Fixture
0- 30	579	33.8
0- 40	903	52.7
0- 60	1447	84.5
0- 90	1713	100.0
90- 180	0	0.0
0- 180	1713	100.0

CANDELA DISTRIBUTION

	0.0	22.5	45.0	67.5	90.0
0	804	804	804	804	804
5	799	795	801	798	793
15	758	749	745	733	726
25	678	664	644	620	609
35	569	549	518	486	473
45	441	422	389	355	344
55	315	300	270	241	232
65	199	189	166	145	138
75	98	92	78	65	60
85	21	18	11	7	6
90	0	0	0	0	0

Precision Architectural Lighting

LED lighting facts®
A Program of the U.S. DOE

Light Output (Lumens) **1713**

Watts **17.18**

Lumens per Watt (Efficacy) **99.71**

Color Accuracy **83**

Color Rendering Index (CRI)

Light Color **4002 (Bright White)**

Correlated Color Temperature (CCT)

2700K 3000K 4500K 6500K

All results are according to IESNA LM-79-2008: Approved Method for the Electrical and Photometric Testing of Solid-State Lighting. The U.S. Department of Energy (DOE) verifies product test data and results.

Visit www.lightingfacts.com for the **Label Reference Guide**.

Registration Number: 1NRP-67F06C (2/21/2017)
Model Number: ML3WL-D-MO-K40-4'-X-LOH-X-X-UNV
Type: Luminaire - Linear

For more information, visit our website at www.pal-lighting.com



Precision Architectural Lighting 4830 Timber Creek Drive
Tel 713.946.4343 Fax 713.946.4441 www.pal-lighting.com

Houston, Texas 77017



Made in America



Project: _____

Location: _____

Fixture Type: _____

Catalog Number: _____

AVAILABLE FINISHES:



P-12
FINISH :BK /BLACK

Myla
PD-W24320

PRODUCT DESCRIPTION

Myia's modern design never looked so good, both inside and out. An elegant modern etched glass diffuser. Perfect for outdoor kitchens and other spaces.

FEATURES

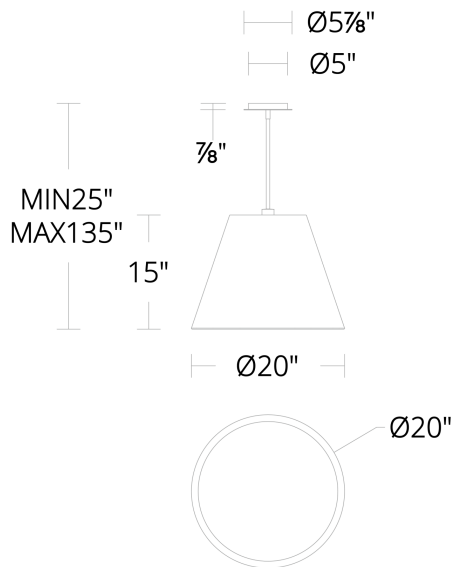
- ACLED driverless technology
- Slope ceiling adaptable. Hang straight swivels up to 90 degrees
- Spin-on round canopy with minimal hardware
- Three 12" and one 6" down rods included (additional sold separately)
- Built in color temperature adjustability. Switch from 3000K/3500K/4000K

SPECIFICATIONS

Rated Life	59000 Hours
Standards	ETL, cETL,Wet Location Listed,Title 24 JA8: 2019 Compliant
Input	120V AC,50/60Hz
Dimming	ELV: 100-5%,TRIAC: 100-10%
Color Temp	3000K,3500K,4000K
CRI	90
Construction	Aluminum spun body with bent glass diffuser

REPLACEMENT PARTS

- ROD-A06-PC150T-BK - 6" Rod - BK finish
- ROD-A12-PC150T-BK - 12" Rod - BK finish
- HDW-KS23-MA - Hardware Pack



PD-W24320

Model & Size	Color Temp	Finish	LED Watts	LED Lumens	Delivered Lumens
PD-W24320 20"	3000K	BK Black	60.8W	3220	2738
	3500K	BK Black	60.8W	3220	2738
	4000K	BK Black	60.8W	3220	2738

Example: **PD-W24320-40-BK**

For custom requests please contact customs@modernforms.com

FEATURES & SPECIFICATIONS

INTENDED USE — Typical applications include corridors, lobbies, conference rooms and private offices.

CONSTRUCTION — Galvanized steel mounting/plaster frame; galvanized steel junction box with bottom-hinged access covers and spring latches. Reflectors are retained by torsion springs. Vertically adjustable mounting brackets with commercial bar hangers provide 3-3/4" total adjustment. Two combination 1/2"-3/4" and four 1/2" knockouts for straight-through conduit runs. Capacity: 8 (4 in, 4 out). No. 12 AWG conductors, rated for 90°C.

Accommodates 12"-24" joist spacing.

Passive cooling thermal management for 25°C standard. Light engine and drivers are accessible from above or below ceiling.

Ceiling thickness range 1/2" to 1-1/2".

OPTICS — 55° cutoff to source and source image

LEDs are binned to a 3-step MacAdam Ellipse

80 CRI standard. 90 CRI optional.

A+ CAPABLE LUMINAIRE — This item is an A+ capable luminaire, which has been designed and tested to provide consistent color appearance and out-of-the-box control compatibility with simple commissioning when used with Acuity Brands controls products. All configurations of this luminaire are calibrated and tested to meet the Acuity Brands' specifications for chromatic consistency – including color rendering, color fidelity and color temperature tolerance around standard CIE chromaticity coordinates. To learn more about A+ standards, specifications, and testing visit www.acuitybrands.com/aplus.

UGR — UGR is zero for fixtures aimed at nadir with a cut-off equal to or less than 60 degree per CIE 117-1996 Discomfort Glare in Interior Lighting. [UGR FAQs](#)

ELECTRICAL — Adjustable lumen output with four module options.

MVOLT 120/277V 50/60Hz driver (0-10V & 120V Phase Dimming to 10% or 1% min dimming level).

DALI driver dimming to 1% also available

FCC CFR Title 47 Part 15 Class A for 277V. FCC CFR Title 47 Part 15 Class B for 120V.

Lumen Maintenance

L80 @ 60,000 hours

LISTINGS — Certified to US and Canadian safety standards. Wet location, requires covered ceiling. Title 24 compliant (90CRI, up to 1000lm). Wallwash suitable for damp locations only. Some configurations are Energy Star certified, please visit www.energystar.gov for specific products. Drivers are ROHS compliant.

WARRANTY — 5-year limited warranty. This is the only warranty provided and no other statements in this specification sheet create any warranty of any kind. All other express and implied warranties are disclaimed. Complete warranty terms located at: www.acuitybrands.com/support/warranty/terms-and-conditions

Note: Actual performance may differ as a result of end-user environment and application. All values are design or typical values, measured under laboratory conditions at 25 °C. Specifications subject to change without notice.

PERFORMANCE DATA

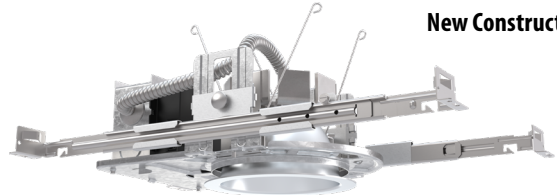
LDN4 AR LS	Wattage	80CRI							
		30K/80CRI		35K/80CRI		40K/80CRI		50K/80CRI	
Lumen Output		Delivered Lumens	LPW	Delivered Lumens	LPW	Delivered Lumens	LPW	Delivered Lumens	LPW
ALO1 (500LM)	6	570	99	584	101	597	102	616	105
ALO1 (750LM)	9	903	102	924	103	946	105	975	108
ALO1 (1000LM)	13	1268	98	1297	100	1328	102	1369	104
ALO2 (1000LM)	13	1344	108	1375	110	1408	112	1451	115
ALO2 (1500LM)	19	1961	105	2007	106	2055	108	2118	111
ALO2 (2000LM)	25	2471	99	2528	101	2588	103	2668	105
ALO3 (2000LM)	25	2542	103	2601	104	2663	106	2745	109
ALO3 (2500LM)	32	3069	98	3140	99	3214	101	3314	103
ALO3 (3000LM)	38	3485	93	3566	94	3651	96	3764	98
ALO4 (4000LM)	39	4094	106	4178	108	4262	110	4303	111
ALO4 (4500LM)	44	4519	103	4611	105	4703	107	4750	108
ALO4 (5000LM)	49	4914	100	5015	102	5115	104	5165	105

- Tested in accordance with IESNA LM-79-08.
- Tested to current IES and NEMA standards under stabilized laboratory conditions.
- CRI: 80 typical

Type

LDN4 SWITCHABLE

4" Open and Wallwash LED IC and Non-IC New Construction Downlight

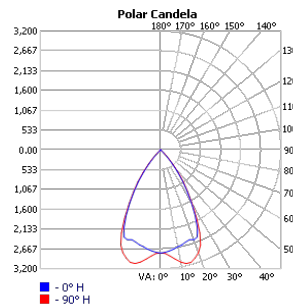


Open Trim

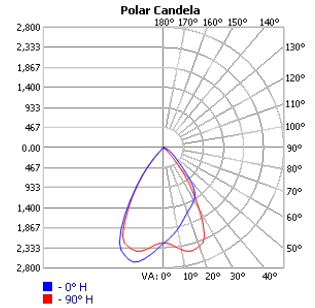


Wallwash Trim

DISTRIBUTIONS



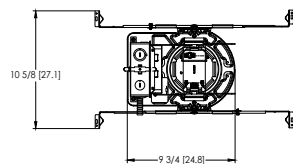
OPEN



Wallwash

DIMENSIONS

LDN4 500-2000 Lumens



Aperture: Ø 4-5/16" [11]
 Ceiling Cutout: Ø 5-1/8" [13] Self-flanged
 Overlap Trim: Ø 5-7/16" [13.8]
 Ceiling Cutout: Ø 5-1/4" [13.3] Flangeless

See page 5 for other fixture dimensions.



LDN4 SWW

ORDERING INFORMATION

Lead times will vary depending on options selected. Consult with your sales representative.

Example: LDN4 ALO2 SWW1 L04 AR LSS MVOLT UGZ

LDN4								
Series	Lumens ‡	Color Temperature ‡	Trim Style	Trim Color	Flange Color ‡	Trim Finish	Distribution	Voltage
LDN4 4" Round	Adjustable Lumen Output AL01 500/750/1000lm AL02 1000/1500/2000lm AL03 2000/2500/3000lm AL04 4000/4500/5000lm Fixed Lumen Output 05LM 500lm 07LM 750lm 10LM 1000lm 15LM 1500lm 20LM 2000lm 25LM 2500lm 30LM 3000lm 40LM 4000lm 45LM 4500lm 50LM 5000lm	Switchable CCT SWW1 3000K-3500K-4000K-5000K Fixed Switchable CCT 27K 2700K 30K 3000K 35K 3500K 40K 4000K 50K 5000K	L04 Downlight LW4 Wallwash	AR Clear WR ‡ White painted BR ‡ Black painted TRALTBDD ‡ RAL paint trim TCPC ‡ Custom paint trim	(blank) Self-flange TRW White TRBL Black FRALTBDD RAL paint flange only FCPC Custom paint flange only	LSS Semi-specular LD Matte diffused LS Specular	(blank) Medium Wide (1.0s/mh) WD Wide (1.2s/mh)	MVOLT 120V - 277V 347 347V step-down transformer supplied

Driver	Emergency ‡	Control Input ‡	Options
UGZ Universal dimming to 10% 0-10V; line voltage dimming (120V)	Blank No emergency option	Blank No control option	90CRI High CRI (90+)
UGZ1 Universal dimming to 1% 0-10V; line voltage dimming (120V)	EL Batterypack (10W constant power) Non-T20 Compliant, integral test switch	NPS80EZ nLight® network power/relay pack with 0-10V dimming	AT ‡ Airtight (IP55)
DALI ‡ DALI dimming to 1%	ELR Batterypack (10W constant power) Non-T20 Compliant, remote test switch	NPS80EZER nLight® network power/relay pack with 0-10V dimming; ER controls fixtures on emergency circuit.	CP ‡ Chicago Plenum
D10 Minimum dimming 10% driver for use with JOT D1 Minimum dimming 1% driver for use with JOT	E10WCPR Batterypack (10W constant power) T20 Compliant, integral test switch	NLTAIR2 nLight® Air enabled	
D1 Minimum dimming 1% driver for use with JOT	E10WCPRR Batterypack (10W constant power) T20 Compliant, remote test switch	NLTAIRER2 nLight® AIR Dimming Pack Wireless Controls. Controls fixtures on emergency circuit	
	E10WRSTAR Emergency battery pack, 10W with remote test switch and Iota STAR technology	NLTAIREM2 nLight® AIR Dimming Pack Wireless Controls. UL924 Emergency Operation, via power interrupt detection.	
	ETS Iota Emergency Transfer System	JOT Wireless room control with "Just One Touch" pairing	

‡ Option Restrictions

Options	Restriction
AT	Standard for CP and IP55, not available with WW
E10WCPR	Not available EC1, EC6, QDS, CP, 347V, NPS80EZ ER, NLTAIRER2, NLTAIREM2, or ALO3 (2000-3000L) DALI.
E10WCP	Not available with EC1, EC6, AT, QDS, CP, 347V, NPS80EZ ER, NLTAIRER2, NLTAIREM2, ALO3 (2000-3000L) DALI, OR WL.
E10WRSTAR	Not available with wet location, EC1, EC6, QDS, CP, 347V, NPS80EZ ER, NLTAIRER2, NLTAIREM2, ALO3 & ALO4 w/DALI, OR 2000-4500 lumens w/JOT. Top access installation or 17.5" plenum clearance required for roomside installation. Not available with integral test switch.
ELR	Not available EC1, EC6, QDS, CP, 347V, NPS80EZ ER, NLTAIRER2, NLTAIREM2, or ALO3 (2000-3000L) DALI.
EC6	Not Available with CP, QDS, ELR, E10WCP, or E10WCPR.
WL	Not available with WW, All CP is wet location, except WW (Damp). IP55 rated.
QDS	Not Available with CP, ELR, E10WCP, or E10WCPR.
EC1	Not Available with CP, QDS, ELR, E10WCP, or E10WCPR.
JOT	Not available with CP, NPS80EZ, NPS80EZ ER, NLTAIR2, NLTAIRER2, NLTAIREM2, UGZ, or DALI drivers. Max 4500 lumens. Fixed lumens and CCT only.
NPS80EZ	Not available with CP, QDS, DALI, D1, OR D10 drivers. 120V OR 277V only. Not available with 347V.
NPS80EZER	Not available with CP, QDS, DALI, E10WCP, E10WCPR, DALI, D1, OR D10 drivers. 120V OR 277V only. Not available with 347V.
NLTAIR2	Not available with CP, QDS, DALI, D1, OR D10 drivers. Not -emergency luminaires with this option can be used as a normal power sensing device for nLight AIR devices and luminaires with EM emergency options.
NLTAIRER2	Not available with CP, QDS, ELR, E10WCP, E10WCPR, DALI, D1, OR D10 drivers. Not available with 347V.
NLTAIREM2	Not available with CP, QDS, ELR, E10WCP, E10WCPR, DALI, D1, OR D10 drivers. See UL 924 Sequence of Operation table.
CP	Not available with, QDS, EC1, EC6, ELR, E10WCP, E10WCPR, 347V, JOT, NPS80EZ, NPS80EZ ER, NLTAIR2, NLTAIRER2, NLTAIREM2, D1, OR D10 drivers. Not available with square trim.
ETS	Not available with, QDS, ELR, E10WCP, E10WCPR, 347V, JOT, NPS80EZ, NPS80EZ ER, NLTAIR2, NLTAIRER2, NLTAIREM2, DALI, D1, OR D10 driver
DALI	Not available with fixed lumens or CCT. Max 4500 lumens.
WW	Not available with WL, EL, E10WCP.
TRW, TRBL	Available with clear (AR) reflector only.
WR, BR	Not available with a reflector finish
347V	Not available with CP, QDS, EL, ELR, E10WCP, E10WCPR, NLTAIRER2, ETS, NPS80EZ, NPS80EZER, ALO1 ROUND TRIM, 05 LUMENS ROUND TRIM, AND 07 ROUND TRIM.
TRALTBDD, FRALTBDD	RALTBDD for pricing only. Replace with applicable RAL number and finish when ready to order. See the RAL BROCHURE for available color options.
TCPC, FCPC	CPC options for pricing only. Custom color chip needs to be sent in to your Customer Resolution specialist before order can be processed. Click HERE for more details

PHOTOMETRY

LDN4 AR LS		90CRI							
Lumen Output	Wattage	30K/90CRI		35K/90CRI		40K/90CRI		50K/90CRI	
		Delivered Lumens	LPW	Delivered Lumens	LPW	Delivered Lumens	LPW	Delivered Lumens	LPW
ALO1 (500LM)	6	498	87	512	88	526	90	539	92
ALO1 (750LM)	9	789	89	810	91	832	92	853	94
ALO1 (1000LM)	13	1108	86	1138	88	1168	89	1198	91
ALO2 (1000LM)	13	1174	95	1206	97	1238	99	1270	100
ALO2 (1500LM)	19	1714	91	1761	93	1807	95	1854	97
ALO2 (2000LM)	25	2159	87	2218	89	2276	91	2335	92
ALO3 (2000LM)	25	2222	90	2282	92	2342	94	2402	95
ALO3 (2500LM)	32	2682	85	2755	87	2827	89	2900	91
ALO3 (3000LM)	38	3046	81	3129	83	3211	85	3294	86
ALO4 (4000LM)	39	3398	88	3468	90	3537	91	3572	92
ALO4 (4500LM)	44	3751	85	3827	87	3904	89	3942	90
ALO4 (5000LM)	49	4079	83	4162	84	4245	86	4287	87

LDN4WW AR LS		80CRI							
Lumen Output	Wattage	30K/80CRI		35K/80CRI		40K/80CRI		50K/80CRI	
		Delivered Lumens	LPW	Delivered Lumens	LPW	Delivered Lumens	LPW	Delivered Lumens	LPW
ALO1 (500LM)	6	561	97	574	99	587	101	606	103
ALO1 (750LM)	9	888	100	908	101	930	103	959	106
ALO1 (1000LM)	13	1246	97	1275	98	1305	100	1346	102
ALO2 (1000LM)	13	1321	106	1352	108	1384	110	1427	113
ALO2 (1500LM)	19	1928	103	1973	105	2020	106	2083	109
ALO2 (2000LM)	25	2429	98	2485	99	2544	101	2623	104
ALO3 (2000LM)	25	2499	101	2557	103	2618	105	2699	107
ALO3 (2500LM)	32	3017	96	3087	98	3160	99	3258	102
ALO3 (3000LM)	38	3426	91	3506	93	3589	95	3700	97
ALO4 (4000LM)	39	4031	104	4113	106	4195	108	4236	109
ALO4 (4500LM)	44	4449	101	4539	103	4630	105	4676	107
ALO4 (5000LM)	49	4838	98	4937	100	5035	102	5085	103

LDN4WW AR LS		90CRI							
Lumen Output	Wattage	30K/90CRI		35K/90CRI		40K/90CRI		50K/90CRI	
		Delivered Lumens	LPW	Delivered Lumens	LPW	Delivered Lumens	LPW	Delivered Lumens	LPW
ALO1 (500LM)	6	490	85	503	87	517	89	530	90
ALO1 (750LM)	9	776	87	797	89	818	91	839	93
ALO1 (1000LM)	13	1089	84	1119	86	1148	88	1178	90
ALO2 (1000LM)	13	1155	93	1186	95	1217	97	1248	99
ALO2 (1500LM)	19	1685	90	1731	92	1777	94	1822	95
ALO2 (2000LM)	25	2123	85	2180	87	2238	89	2295	91
ALO3 (2000LM)	25	2184	88	2243	90	2302	92	2362	94
ALO3 (2500LM)	32	2637	84	2708	86	2780	87	2851	89
ALO3 (3000LM)	38	2994	80	3076	81	3157	83	3238	85
ALO4 (4000LM)	39	3346	86	3414	88	3482	90	3516	91
ALO4 (4500LM)	44	3692	84	3768	86	3843	88	3881	88
ALO4 (5000LM)	49	4015	81	4097	83	4179	85	4220	86

LUMEN OUTPUT MULTIPLIERS - FINISH	
Specular (LS)	1.05
Semi-specular (LSS)	1.00
Matte diffuse (LD)	0.85

LUMEN OUTPUT MULTIPLIERS - CCT			
3000K	3500K	4000K	5000K
0.98	1.0	1.01	1.03

LUMEN OUTPUT MULTIPLIERS - CRI	
80	1.0
90	0.874

HOW TO ESTIMATE DELIVERED LUMENS IN EMERGENCY MODE

Use the formula below to estimate the delivered lumens in emergency mode

Delivered Lumens = 1.25 x P x LPW

P = Output power of emergency driver. P = 10W for PS1055CP

LPW = Lumen per watt rating of the luminaire. This information is available on the ABL luminaire spec sheet.

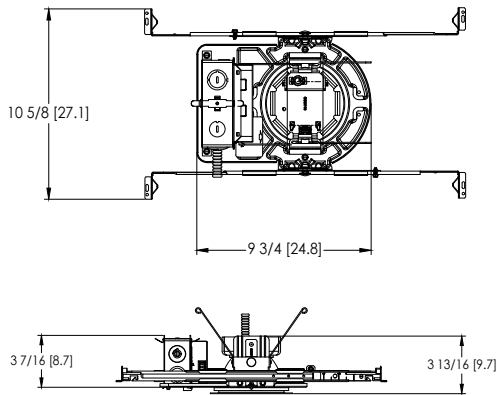
The LPW rating is also available at Designlight Consortium.

LDN4 SWW

* All dimensions are inches (centimeters) unless otherwise noted.

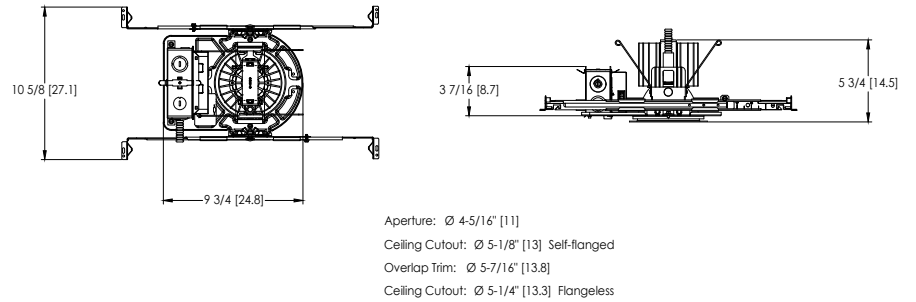
LDN4 SWW1 IC RATING	
AL01	IC
AL02	NON-IC
AL03	NON-IC

LDN4 SWW1 500-2000 Lumens



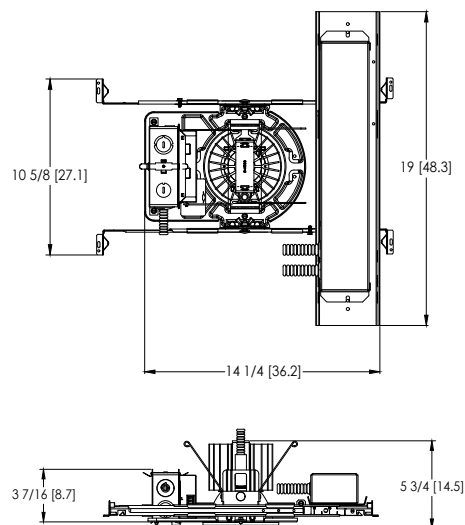
Aperture: \varnothing 4-5/16" [11]
 Ceiling Cutout: \varnothing 5-1/8" [13] Self-flanged
 Overlap Trim: \varnothing 5-7/16" [13.8]
 Ceiling Cutout: \varnothing 5-1/4" [13.3] Flangeless

LDN4 SWW1 CP 2000-4000 Lumens



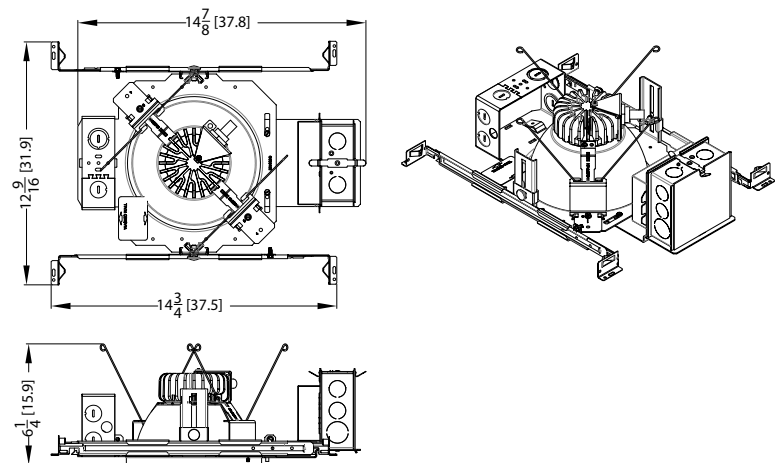
Aperture: \varnothing 4-5/16" [11]
 Ceiling Cutout: \varnothing 5-1/8" [13] Self-flanged
 Overlap Trim: \varnothing 5-7/16" [13.8]
 Ceiling Cutout: \varnothing 5-1/4" [13.3] Flangeless

LDN4 SWW1 EL



Aperture: \varnothing 4-5/16" [11]
 Ceiling Cutout: \varnothing 5-1/8" [13] Self-flanged
 Overlap Trim: \varnothing 5-7/16" [13.8]
 Ceiling Cutout: \varnothing 5-1/4" [13.3] Flangeless

LDN4 SWW1 CP 500-3000LM



DIMMER COMPATIBILITY

Not compatible with DALI or DMX dimmers. For specific compatible dimmers see below.

COMPATIBLE LINE VOLTAGE DIMMERS:						
Type	Forward Phase	ALO1 (500-1000lm)	ALO2 (1000-2000lm)	ALO3 (2000-3000lm)	ALO4 (3000-5000lm)	Comment
MLV	Sensorswitch WPD	YES	YES	YES	YES	
MLV	Sensorswitch CMR PDT10 ADC VLP	YES	YES	YES	YES	
MLV	Synergy ISD 600LV	YES, 2x *	YES	YES	YES	* min 2 fixtures
INC	Synergy ISD 600I	YES, 2x *	YES	YES	YES	* min 2 fixtures
MLV	Lutron Glyder GLV-600	YES	YES	YES	YES	
INC	Leviton SureSlide 6633	YES	YES	YES	YES	
MLV	Lutron Diva DVLV-600P	YES	YES	YES	YES	
MLV	Lutron Skylark SLV-600P	YES	YES	YES	YES	
INC	Lutron RadioRA 2 10ND	YES	YES	YES	YES	
MLV	Leviton SureSlide 6613-PLW	YES	YES	YES	YES	
INC	Lutron Diva DVCL-153P	YES	YES	YES	YES	
MLV	Leviton IPM06	YES, 2x *	YES	YES	YES	* min 2 fixtures
Type	Reverse Phase Dimmer Bank	ALO1 (500-1000lm)	ALO2 (1000-2000lm)	ALO3 (2000-3000lm)	ALO4 (3000-5000lm)	
ELV	Lutron Nova T NTELV-600	YES	YES	YES	YES	
ELV	Lutron Diva DVELV 600P	YES	YES	YES	YES	
ELV	Lutron Maestro MAELV 600	YES	YES	YES	YES	
ELV	Leviton Vizia VPE06-1LX	YES	YES	YES	YES	
ELV	Leviton Illumatech IPE04	YES	YES	YES	YES	
ELV	Control4 C4-APD 120 REVERSE PHASE	YES	YES	YES	YES	
Type	Miscellaneous Dimmers	ALO1 (500-1000lm)	ALO2 (1000-2000lm)	ALO3 (2000-3000lm)	ALO4 (3000-5000lm)	
PHA	Lutron RadioRA2 RRD-6NA	YES	YES	YES	YES	
PHA	Lutron Maestro PRO LED+ RRD-PRO	YES	YES	YES	YES	
Type	Control Systems	ALO1 (500-1000lm)	ALO2 (1000-2000lm)	ALO3 (2000-3000lm)	ALO4 (3000-5000lm)	
MLV	Lutron LP-RPM-4U	YES	YES	YES	YES	
PHA	Lutron LP-RPM-4A	YES	YES	YES	YES	
MLV	Lutron GRAPHIC EYE QSGRJ-3P	YES	YES	YES	YES	
PHA	Lutron PA Power Module PHPM-PA-120	YES	YES	YES	YES	
ELV	Lutron nLight nSP5PCD ELV	YES	YES	YES	YES	

COMPATIBLE 0-10V DIMMERS:							
Manufacturer	System Type	Description	P/N	ALO1 (500-1000lm)	ALO2 (1000-2000lm)	ALO3 (2000-3000lm)	ALO4 (3000-5000lm)
ACUITY	Wall Box	sensorswitch, dimming switch with multi-way option	SPODMRA	YES	YES	YES	YES
ACUITY	Wall Box	sensorswitch, wall switch sensor, occupancy controlled dimming	WSX D WH	YES	YES	YES	YES
ACUITY	Control System	nLight	nPP16D	YES	YES	YES	YES
ACUITY	Control System	nLight	nPS 80 EZ	YES	YES	YES	YES
ACUITY	Control System	nLight Air	rPP20 D	YES	YES	YES	YES
Lutron	Other	0-10V (sink or source) PowPak wireless dimming module	RMJ-5T-DV-B	YES	YES	YES	YES
Wattstopper	Control System	Digital single relay room controller (0-10V)	LMRC-211	YES	YES	YES	YES
Crestron	Control System	DIN Rail 0-10V fluorescent dimmer, 4 feeds, 4 channels (Green Light System)	DIN-4DIMFLV4	YES	YES	YES	YES
Lutron	Other	Grafik Eye 0-10V adapter	GRX-TVI	YES	YES	YES	YES
Leviton	Wall Box	Illumatech 0-10V	IP710-DLX	YES	YES	YES	YES
Lutron	Control System	Mounted in the Homeworks QS panel - 0-10V dimmer (sink or source)	GRX-TVM2	YES	YES	YES	YES
Lutron	Wall Box	Nova 0-10V wallbox dimmer (use with PP-120-H line voltage relay)	NTFTV	YES	YES	YES	YES
Lutron	Wall Box	Nova 0-10V wallbox dimmer (use with PP-120-H line voltage relay)	NTSTV-DV	YES	YES	YES	YES
Lutron	Wall Box	Nova T	NFTV	YES	YES	YES	YES
Leviton	Wall Box	Renior II 0-10V	AWSMG-7DW	YES	YES	YES	YES

ADDITIONAL DATA



The Sensor Switch JOT enabled solution offers a wireless, app-free approach to single room lighting control. JOT enabled products use Bluetooth® Low Energy (BLE) technology to enable wireless dimming and switching.

Diagram



LDN4 Series



Sensor Switch
WSXA JOT

- 1. Power:** Install JOT enabled fixtures and controls as instructed.
- 2. Pair:** Insert the pairing tool into the pinhole on the wall switch; press and hold any button for 6 seconds.
- 3. Play:** Once paired, each fixture will individually dim down to 10% brightness. All products will be fully functional.

COMPATIBLE 0-10V WALL-MOUNT DIMMERS

MANUFACTURER	PART NO.	POWER BOOSTER AVAILABLE
Lutron®	Diva® DDTV	
	Diva® DVSCTV	
	Nova T® NTFTV	
	Nova® NFTV	
Leviton®	AWSMT-7DW	CN100
	AWSMG-7DW	PE300
	AMRMG-7DW	
	Leviton Centura Fluorescent Control System	
	IllumaTech® IP7 Series	
Synergy®	ISD BC	RDMFC
	SLD LPCS	
	Digital Equinox (DEQ BC)	
Douglas Lighting Controls	WPC-5721	
Entertainment Technology	Tap Glide TG600FAM120 (120V)	
	Tap Glide Heatsink TGH1500FAM120 (120V)	
	Oasis OA2000FAMU	
Honeywell	EL7315A1019	EL7305A1010 (optional)
	EL7315A1009	
HUNT Dimming	Preset slide: PS-010-IV and PS-010-WH	
	Preset slide: PS-010-3W-IV and PS-010-3W-WH	
	Preset slide, controls FD-010: PS-IFC-010-IV and PS-IFC-010-WH-120/277V	
	Preset slide, controls FD-010: PS-IFC-010-3W-IV and PS-IFC-010-3W-WH-120/277V	
	Remote mounted unit: FD-010	
Lehigh Electronic Products	Solitaire	PBX
PDM Electrical Products	WPC-5721	
Starfield Controls	TR61 with DALI interface port	RT03 DALInet Router
WattStopper®	LS-4 used with LCD-101 and LCD-103	

EXAMPLE

Group Fixture Control*

*Application diagram applies for fixtures with eldoLED drivers only.

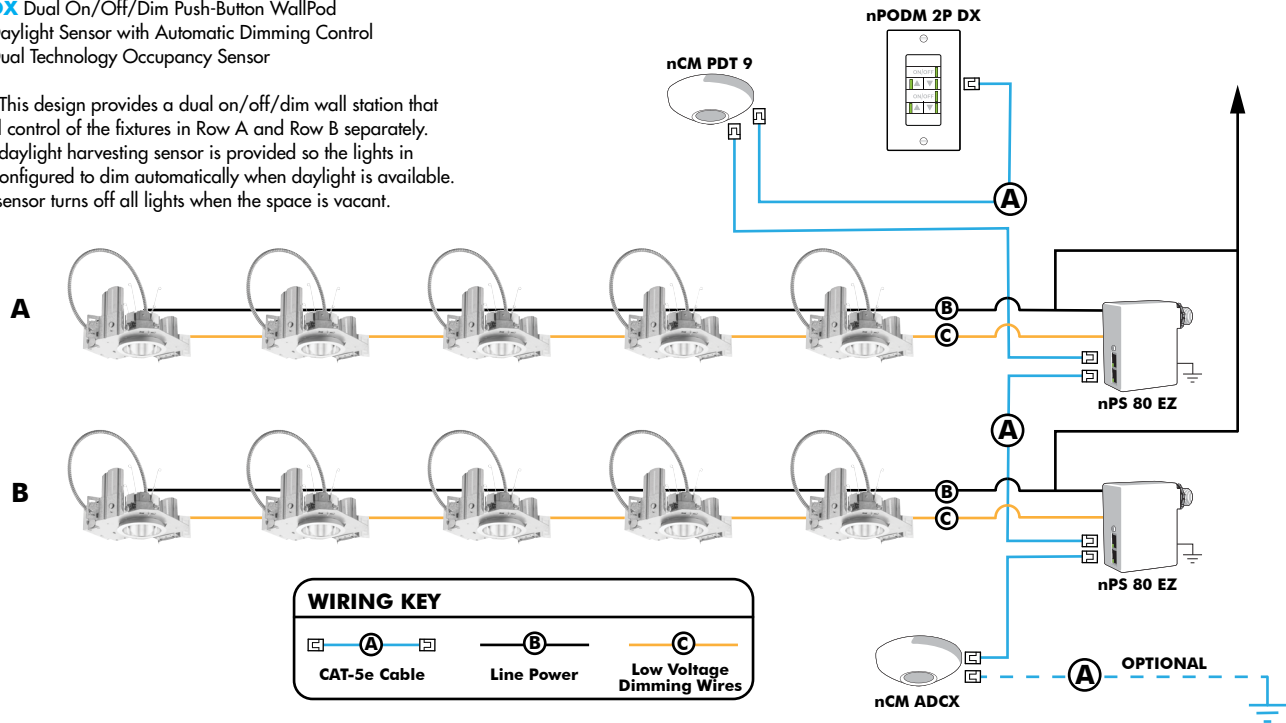
nPS 80 EZ Dimming/Control Pack (qty: 2 required)

nPODM 2P DX Dual On/Off/Dim Push-Button WallPod

nCM ADCX Daylight Sensor with Automatic Dimming Control

nCM PDT 9 Dual Technology Occupancy Sensor

Description: This design provides a dual on/off/dim wall station that enables manual control of the fixtures in Row A and Row B separately. Additionally, a daylight harvesting sensor is provided so the lights in Row B can be configured to dim automatically when daylight is available. An occupancy sensor turns off all lights when the space is vacant.



Choose Wall Controls

nLight offers multiple styles of wall controls - each with varying features and user experience.



Push-Button Wallpod

Traditional tactile buttons and LED user feedback



Graphic Wallpod

Full color touch screen provides a sophisticated look and feel

nLight® Wired Controls Accessories:

Order as separate catalog number. Visit www.acuitybrands.com/products/controls/nlight for complete listing of nLight controls.

WallPod Stations	Model number	Occupancy sensors	Model Number
On/Off	nPODM (Color)	Small motion 360°, ceiling (PIR/dual Tech)	nCM 9 / nCM PDT 9
On/Off & Raise/Lower	nPOD DX (Color)	Large motion 360°, ceiling (PIR/dual tech)	nCM 10 / nCM PDT 10
Graphic Touchscreen	nPOD GFX (Color)	Wide View (PIR/dual tech)	nWV 16 / nWV PDT 16
Photocell controls	Model Number	Wall Switch w/ Raise/Lower (PIR/dual tech)	nWSX LV DX / nWSX PDT LV DX
Dimming	nCM ADCX	Cat-5 cables (plenum rated)	Model Number
		10', CAT5 10FT	CATS 10FT J1
		15, CAT5 15FT	CATS 15FT J1

nLight® AIR Control Accessories:

Order as separate catalog number. Visit www.acuitybrands.com/products/controls/nlightair.

Wall switches	Model number
On/Off single pole	rPODB [color]
On/Off two pole	rPODB 2P [color]
On/Off & raise/lower single pole	rPODB DX [color]
On/Off & raise/lower two pole	rPODB 2P DX [color]
On/Off & raise/lower single pole	rPODBZ DX WH ¹

Notes

1 Can only be ordered with the RES7Z zone control sensor version.

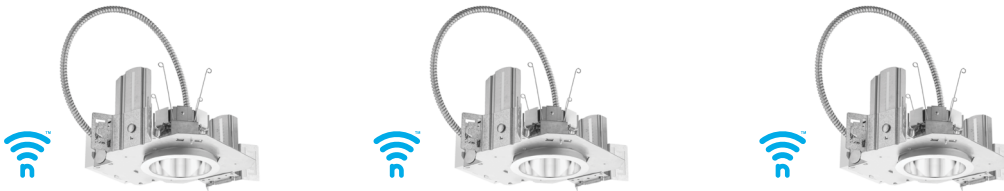
UL924 Sequence of Operation

The below information applies to all nLight AIR devices with an EM option.

- EM devices will remain at their high-end trim and ignore wireless lighting control commands, unless a normal-power-sensed (NPS) broadcast is received at least every 8 seconds.
- Using the CLAIRITY+ mobile app, EM devices must be associated with a group that includes a normal power sensing device to receive NPS broadcasts.
- Only non-emergency rPP20, rLSXR, rSBOR, rSDGR, and nLight AIR luminaires with version 3.4 or later firmware can provide normal power sensing for EM devices. See specification sheets for control devices and luminaires for more information on options that support normal power sensing.

nLight AIR

nLight AIR is the ideal solution for retrofit or new construction spaces where adding communication is cost prohibitive. The integrated nLight AIR rPP20 Power Pack is part of each Lithonia LDN Luminaire. These individually addressable controls offer the ultimate in flexibility during initial setup and for space repurposing.



Simple as 1,2,3

1. Install the nLight® AIR fixtures with embedded smart sensor
2. Install the wireless battery-powered wall switch
3. With CLAIRITY app, pair the fixtures with the wall switch and if desired, customize the sensor settings for the desired outcome



SNAP-CLAD PANEL

label SS-11

MATERIALS

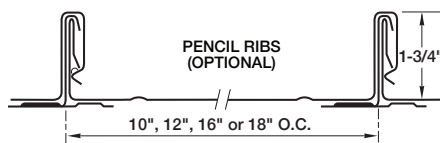
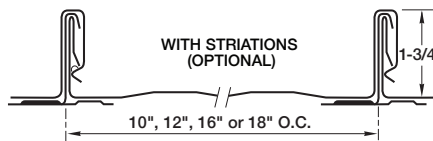
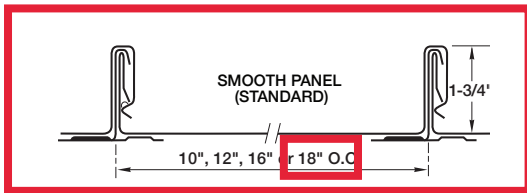
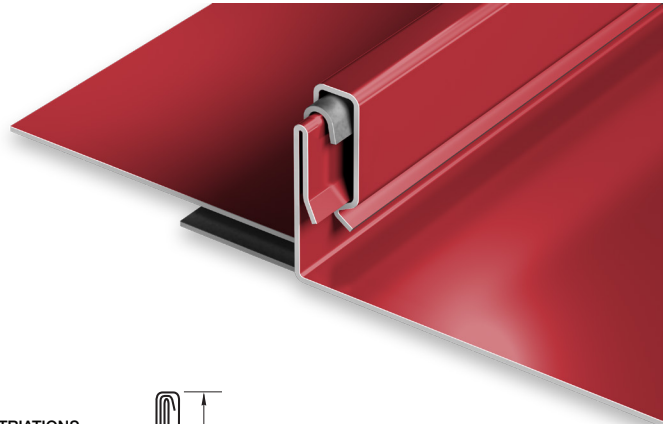
.032 aluminum
.040 aluminum

24 gauge steel
22 gauge steel

SPECS

10", 12", 16" or 18" O.C. 1-3/4" High

UL-90



PRODUCT FEATURES

- ▶ Architectural/structural panel
- ▶ Factory-applied sealant available
- ▶ Continuous interlock
- ▶ Labor-saving one-piece design
- ▶ Pencil ribs upon request
- ▶ Striations upon request
- ▶ Factory eave notching available
- ▶ 30-year-non-prorated finish warranty
- ▶ Maximum factory-produced panel length is 64' (check w/factory for longer lengths)
- ▶ Weathertightness warranty available

- ▶ 43 stocked colors (24 gauge steel)
- ▶ 16 Stocked colors (22 gauge steel)
- ▶ 36 stocked colors (.032 aluminum)
- ▶ 22 stocked colors (.040 aluminum)
- ▶ Panels available in Galvalume Plus

UL CLASSIFICATION

- ▶ UL-580 Class 90 wind uplift
- ▶ UL-1897 wind uplift
- ▶ UL-790 Class A fire rated
- ▶ UL-263 fire resistance rated
- ▶ UL-2218 impact resistance rated

- ▶ UL-90 rated aluminum panel up to 16" O.C.
- ▶ UL-90 rated steel panel up to 18" O.C.

ASTM TESTS

- ▶ ASTM E1592 tested
- ▶ ASTM E283/1680 tested
- ▶ ASTM E331/1646 tested

FLORIDA BUILDING & MIAMI-DADE PRODUCT APPROVALS

Please refer to pac-clad.com or your local factory for specific product approval numbers for Snap-Clad.

Note: UL 90 is available on steel panels up to 18" on center, and on aluminum panels up to 16" on center.

Premium Colors

	
●▲👑\$\$\$ ANODIC CLEAR	●▲👑\$\$\$ SILVERSMITH
	
●▲👑\$ SILVER	●▲👑\$ CHAMPAGNE
	
●▲👑\$ ZINC	●▲👑\$ WEATHERED ZINC
	
●▲👑\$ COPPER PENNY	●▲👑\$ AGED COPPER
	
👑\$\$\$ WEATHERED STEEL	👑\$\$\$ WEATHERED COPPER

Kynar 500® or Hylar 5000® pre-finished steel and aluminum for roofing, curtainwall and storefront applications.

● Metallic Colors \$ Pricing ▲ Cool Colors 👑 Premium Colors

See back for color availability chart.

Standard Colors

				
▲ PATINA GREEN	▲ TEAL	▲ HEMLOCK GREEN	▲ FOREST GREEN	▲ HARTFORD GREEN
				
▲ EVERGREEN	▲ HUNTER GREEN	▲ ARCADIA GREEN	▲ MILITARY BLUE	▲ BERKSHIRE BLUE
				
▲ GRAPHITE	▲ CHARCOAL	▲ INTERSTATE BLUE	▲ PACIFIC BLUE (fka Slate Blue)	▲ AWARD BLUE
				
▲ MATTE BLACK STEEL ▲ BLACK ALUMINUM	▲ DARK BRONZE	▲ BURNISHED SLATE	▲ AGED BRONZE	▲ MEDIUM BRONZE
				
▲ MANSARD BROWN	▲ BURGUNDY	▲ TERRA COTTA	▲ CARDINAL RED	▲ COLONIAL RED
				
▲ MIDNIGHT BRONZE	▲ MUSKET GRAY	▲ SIERRA TAN	▲ SANDSTONE	▲ ALMOND
				
▲ SLATE GRAY	▲ CITYSCAPE	▲ GRANITE	▲ STONE WHITE	▲ BONE WHITE



PAC-CLAD.COM

IL: 800 PAC CLAD TX: 800 441 8661 MD: 800 344 1400
 AZ: 833 750 1935 GA: 800 272 4482 WA: 253 501 2450



SINGLE-SWING HYDRAULIC SYSTEM

INNOVATIVE, PRECISE, EFFORTLESS

GAURANTEED SATISFACTION

The Single-Swing is the premier, hydraulically-operated, single-piece system in the market today. With simple, controlled elegance, the Single-Swing System eliminates the interior boundary you *thought* was confining you and replaces it with pure, unadulterated nature.

REACHING YOUR FULL HEIGHT

The Single-Swing System opens fully to 90 degrees, providing almost the entire rough opening height as clear, unfiltered view.

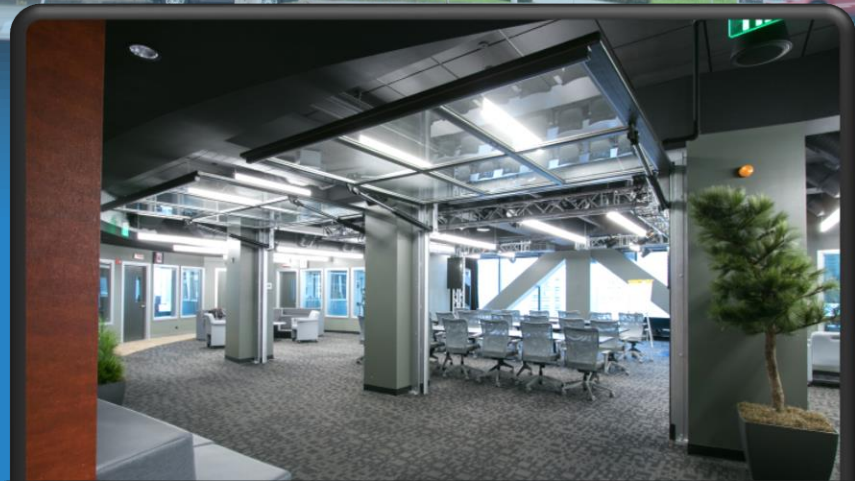
SIMPLICITY

The incorporated mounting frame allows for the easiest install in the market. Operation is hassle-free and maintenance is minimized.

FINISH

Though glass is most common, the Single-Swing System may be clad with virtually any material allowing the customer to best match their surrounding environment

OH-1
FINISH:BLACK





Search the store

- METAL PLANTERS ▾
- CONCRETE PLANTERS
- FIRE PITS ▾
- FIRE PIT ACCESSORIES ▾
- WATER & FIRE FEATURES ▾

PATIO ▾

EB-1
FINISH:CORTEN
STEEL

square Metal Planters / Metal LED Planters

Metal LED Planters

\$2,372.00

★★★★★ (No reviews yet) [Write a Review](#)

Availability: Made To Order **Shipping:** Free Shipping



Required Cube Size: Large - 27" x 27"x 28"Height

Small - 17" x 17" x 18" Height

Medium - 21" x 21" x 22"Height

Large - 27" x 27"x 28"Height

Required Material Finish Options: Corten Steel (natural rust)



Required Drain Holes:

Yes ▾

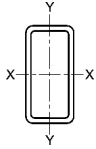
Quantity:

- 1 +



Add to Cart

Add to wish list



ASTM A1085/A1085M Rectangular HSS

Dimensions and Properties



HSS16–HSS14

Shape	Design Wall Thickness, <i>t</i>	Nominal Wt.	Area, <i>A</i>	<i>b/t</i>	<i>h/t</i>	Axis X-X				Axis Y-Y				Workable Flat		Torsion		Surface Area	
						<i>I</i>	<i>S</i>	<i>r</i>	<i>Z</i>	<i>I</i>	<i>S</i>	<i>r</i>	<i>Z</i>	Depth	Width	<i>J</i>	<i>C</i>		
						in. ⁴	in. ³	in.	in. ³	in. ⁴	in. ³	in.	in. ³	in.	in.	in. ⁴	in. ³		ft ² /ft
HSS16×6× ⁵ / ₈	0.625	84.84	24.9	6.60	22.6	715	89.4	5.36	118	148	49.3	2.44	57.9	13 ³ / ₁₆	3 ³ / ₁₆	420	102	3.49	
	× ¹ / ₂	0.500	69.27	20.4	9.00	29.0	602	75.2	5.44	97.7	126	42.0	2.49	48.4	13 ³ / ₄	3 ³ / ₄	353	84.8	3.52
	× ³ / ₈	0.375	53.00	15.6	13.0	39.7	474	59.2	5.51	75.9	101	33.7	2.55	37.9	14 ⁵ / ₁₆	4 ⁵ / ₁₆	277	65.7	3.56
	× ⁵ / ₁₆	0.313	44.60	13.1	16.2	48.1	405	50.6	5.55	64.4	87.0	29.0	2.57	32.3	14 ⁵ / ₈	4 ⁵ / ₈	237	55.7	3.58
	× ¹ / ₄	0.250	36.03	10.6	21.0	61.0	331	41.4	5.59	52.4	71.7	23.9	2.60	26.3	14 ⁷ / ₈	4 ⁷ / ₈	193	45.2	3.60
	× ³ / ₁₆	0.188	27.29	8.04	28.9	82.1	255	31.8	5.63	40.1	55.6	18.5	2.63	20.2	15 ³ / ₁₆	5 ³ / ₁₆	148	34.5	3.61
HSS16×4× ⁵ / ₈	0.625	76.33	22.4	3.40	22.6	568	70.9	5.03	98.5	56.4	28.2	1.59	34.2	13 ³ / ₁₆	–	182	63.9	3.15	
	× ¹ / ₂	0.500	62.46	18.4	5.00	29.0	481	60.2	5.12	82.2	49.3	2.47	29.0	13 ³ / ₄	–	157	53.8	3.19	
	× ³ / ₈	0.375	47.90	14.1	7.67	39.7	382	47.8	5.21	64.2	40.4	2.02	23.0	14 ⁵ / ₁₆	2 ⁵ / ₁₆	127	42.3	3.23	
	× ⁵ / ₁₆	0.313	40.35	11.9	9.78	48.1	328	41.0	5.25	54.6	35.2	1.76	19.8	14 ⁵ / ₈	2 ⁵ / ₈	110	36.1	3.24	
	× ¹ / ₄	0.250	32.63	9.59	13.0	61.0	269	33.6	5.30	44.5	29.3	1.47	16.2	14 ⁷ / ₈	2 ⁷ / ₈	90.6	29.5	3.26	
	× ³ / ₁₆	0.188	24.73	7.29	18.3	82.1	208	26.0	5.34	34.1	23.0	1.15	1.78	12.5	15 ³ / ₁₆	3 ³ / ₁₆	70.3	22.6	3.28
HSS14×12× ⁵ / ₈	0.625	101.85	29.9	16.2	19.4	840	120	5.30	144	661	110	4.70	130	11 ³ / ₁₆	9 ³ / ₁₆	1200	189	4.15	
	× ¹ / ₂	0.500	82.88	24.4	21.0	25.0	699	99.9	5.36	119	552	92.0	4.76	107	11 ³ / ₄	9 ³ / ₄	983	155	4.19
	× ³ / ₈	0.375	63.21	18.6	29.0	34.3	546	78.0	5.42	91.7	431	71.8	4.82	82.6	12 ⁵ / ₁₆	10 ⁵ / ₁₆	757	119	4.23
	× ⁵ / ₁₆	0.313	53.11	15.6	35.3	41.7	465	66.4	5.45	77.6	367	61.2	4.85	70.0	12 ⁵ / ₈	10 ⁵ / ₈	640	100	4.24
	× ¹ / ₄	0.250	42.84	12.6	45.0	53.0	378	54.1	5.48	62.9	299	49.8	4.88	56.7	12 ⁷ / ₈	10 ⁷ / ₈	518	80.7	4.26
	HSS14×10× ⁷ / ₈	0.875	125.79	37.0	8.43	13.0	931	133	5.02	167	548	110	3.85	132	10 ¹ / ₁₆	6 ¹ / ₁₆	1160	207	3.75
× ³ / ₄		0.750	109.91	32.3	10.3	15.7	835	119	5.09	148	493	98.6	3.91	117	10 ⁵ / ₈	6 ⁵ / ₈	1030	182	3.79
× ⁵ / ₈		0.625	93.34	27.4	13.0	19.4	728	104	5.15	127	431	86.2	3.96	101	11 ³ / ₁₆	7 ³ / ₁₆	885	156	3.82
× ¹ / ₂		0.500	76.07	22.4	17.0	25.0	608	86.9	5.22	105	361	72.2	4.02	83.6	11 ³ / ₄	7 ³ / ₄	730	128	3.86
× ³ / ₈		0.375	58.10	17.1	23.7	34.3	476	68.0	5.28	81.5	284	56.8	4.08	64.8	12 ⁵ / ₁₆	8 ⁵ / ₁₆	564	98.2	3.89
× ⁵ / ₁₆		0.313	48.86	14.4	28.9	41.7	406	58.0	5.31	69.1	242	48.4	4.11	55.0	12 ⁵ / ₈	8 ⁵ / ₈	478	82.9	3.91
× ¹ / ₄	0.250	39.43	11.6	37.0	53.0	331	47.3	5.35	56.0	198	39.6	4.14	44.6	12 ⁷ / ₈	8 ⁷ / ₈	387	67.0	3.93	
HSS14×8× ⁵ / ₈	0.625	84.84	24.9	9.80	19.4	616	88.0	4.97	111	256	64.0	3.20	74.9	11 ³ / ₁₆	5 ³ / ₁₆	601	122	3.49	
	× ¹ / ₂	0.500	69.27	20.4	13.0	25.0	517	73.9	5.04	91.8	216	54.0	3.26	62.2	11 ³ / ₄	5 ³ / ₄	499	101	3.52
	× ³ / ₈	0.375	53.00	15.6	18.3	34.3	407	58.1	5.11	71.3	171	42.8	3.31	48.5	12 ⁵ / ₁₆	6 ⁵ / ₁₆	388	77.7	3.56
	× ⁵ / ₁₆	0.313	44.60	13.1	22.6	41.7	347	49.6	5.14	60.5	147	36.8	3.34	41.2	12 ⁵ / ₈	6 ⁵ / ₈	329	65.7	3.58
	× ¹ / ₄	0.250	36.03	10.6	29.0	53.0	284	40.5	5.18	49.2	120	30.0	3.37	33.5	12 ⁷ / ₈	6 ⁷ / ₈	267	53.2	3.60
	× ³ / ₁₆	0.188	27.29	8.04	39.6	71.5	218	31.2	5.21	37.6	92.8	23.2	3.40	25.7	13 ³ / ₁₆	7 ³ / ₁₆	204	40.5	3.61

Note: Confirm ASTM A1085/A1085M material availability before specifying.
 – Indicates flat depth or width is too small to establish a workable flat.