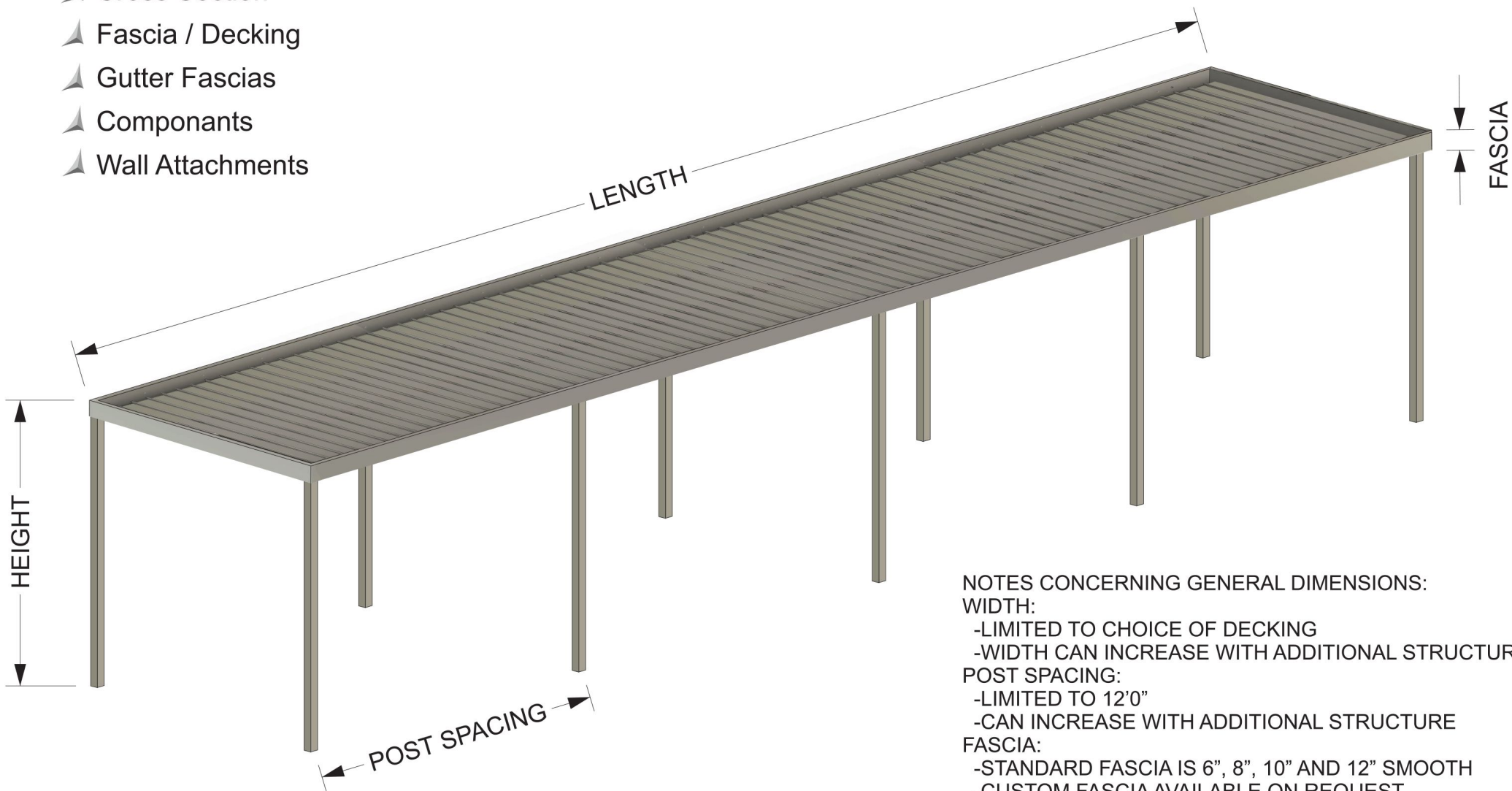


# COLUMBUS AWNING WALKWAY CANOPY SYSTEM

- ▲ Elevation Plan
- ▲ Cross Section
- ▲ Fascia / Decking
- ▲ Gutter Fascias
- ▲ Components
- ▲ Wall Attachments



**NOTES CONCERNING GENERAL DIMENSIONS:**

**WIDTH:**

- LIMITED TO CHOICE OF DECKING
- WIDTH CAN INCREASE WITH ADDITIONAL STRUCTURE

**POST SPACING:**

- LIMITED TO 12'0"
- CAN INCREASE WITH ADDITIONAL STRUCTURE

**FASCIA:**

- STANDARD FASCIA IS 6", 8", 10" AND 12" SMOOTH
- CUSTOM FASCIA AVAILABLE ON REQUEST



297 OLD COUNTY LINE RD  
WESTERVILLE, OHIO  
43081

614-426-4206

PROJECT: \_\_\_\_\_  
 LOCATION: \_\_\_\_\_  
 PROJECT MANAGER: \_\_\_\_\_  
 PROPOSED: \_\_\_\_\_

DATE: \_\_\_\_\_  
 DESIGNER: \_\_\_\_\_  
 ENGINEER: \_\_\_\_\_  
 FILE FOLDER: \_\_\_\_\_  
 PAGE OF \_\_\_\_\_

CANOPY TYPE DETAILS

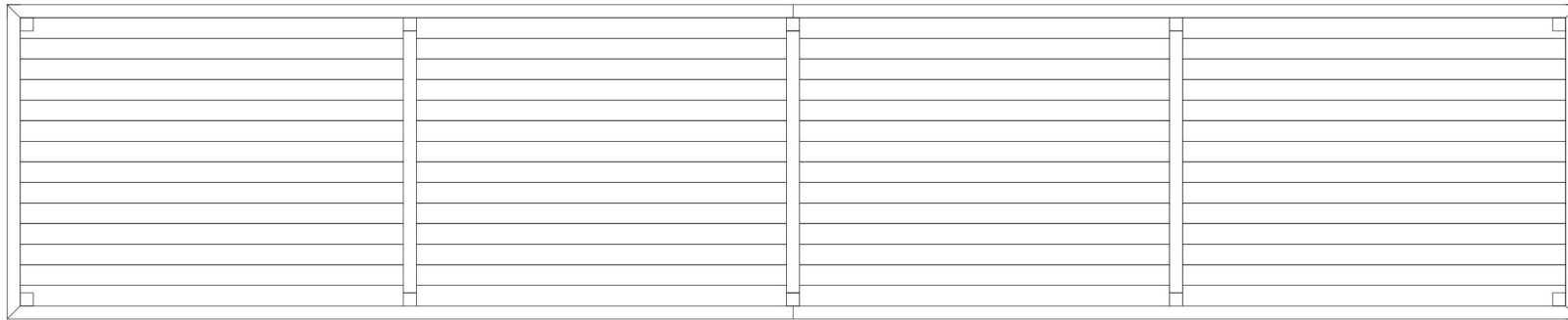
\_\_\_\_\_  
 \_\_\_\_\_  
 \_\_\_\_\_  
 \_\_\_\_\_

APPROVED   
 APPROVED WITH CORRECTIONS   
 NOT APPROVED RESUBMIT

SIGNATURE: \_\_\_\_\_

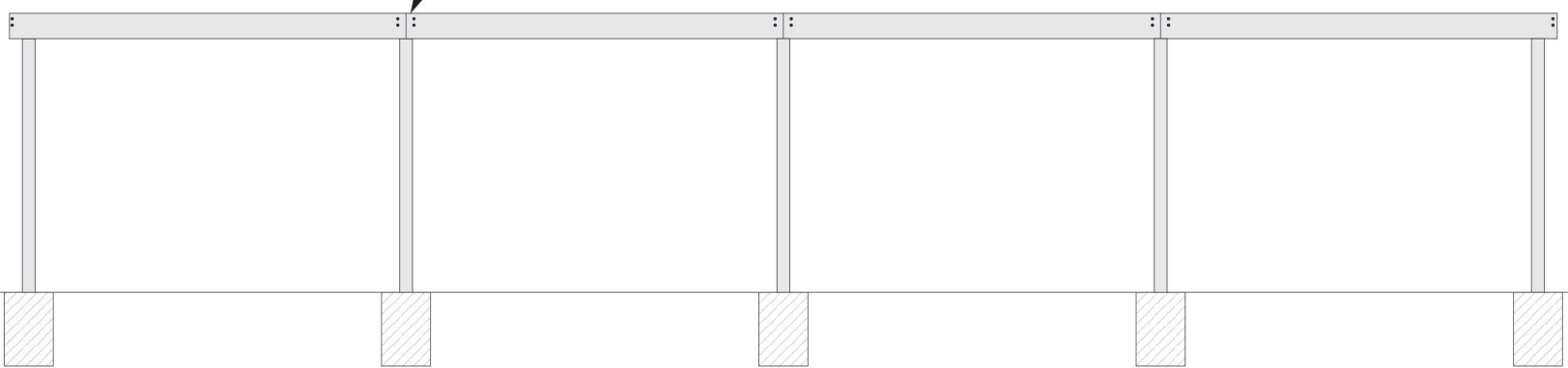
# POST SUPPORTED WALKWAY CANOPY (HORIZONTAL GUTTER BEAM)

PLAN VIEW

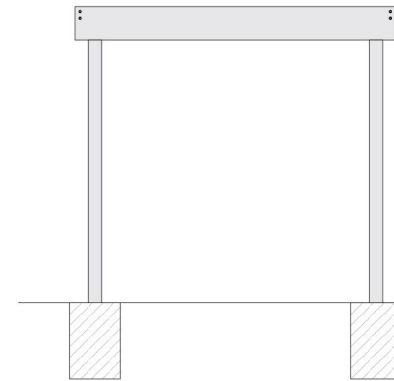


SIDE ELEVATION VIEW

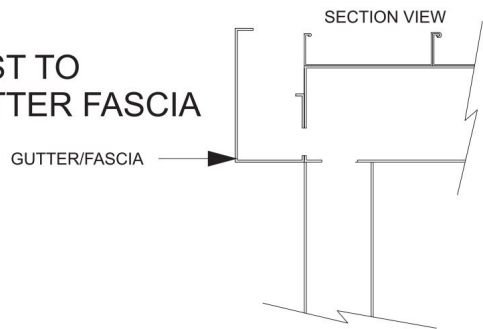
GUTTER BEAM SPLITS



FRONT ELEVATION

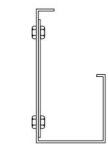


POST TO GUTTER FASCIA

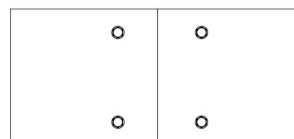


GUTTER/FASCIA SPLIT

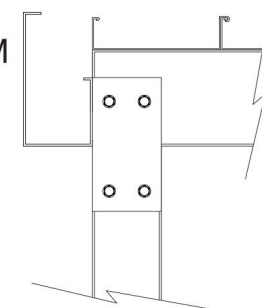
SECTION VIEW



SECTION VIEW

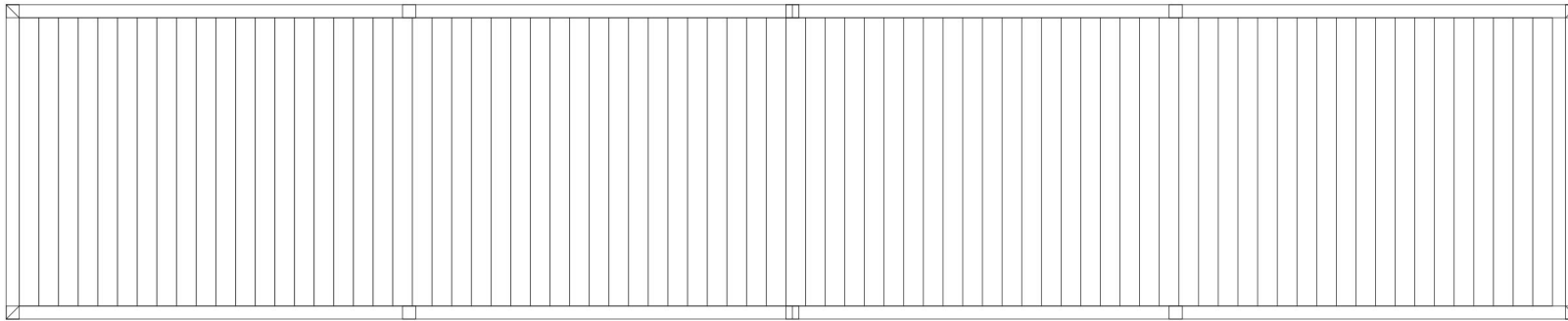


GUTTER BEAM TO POST

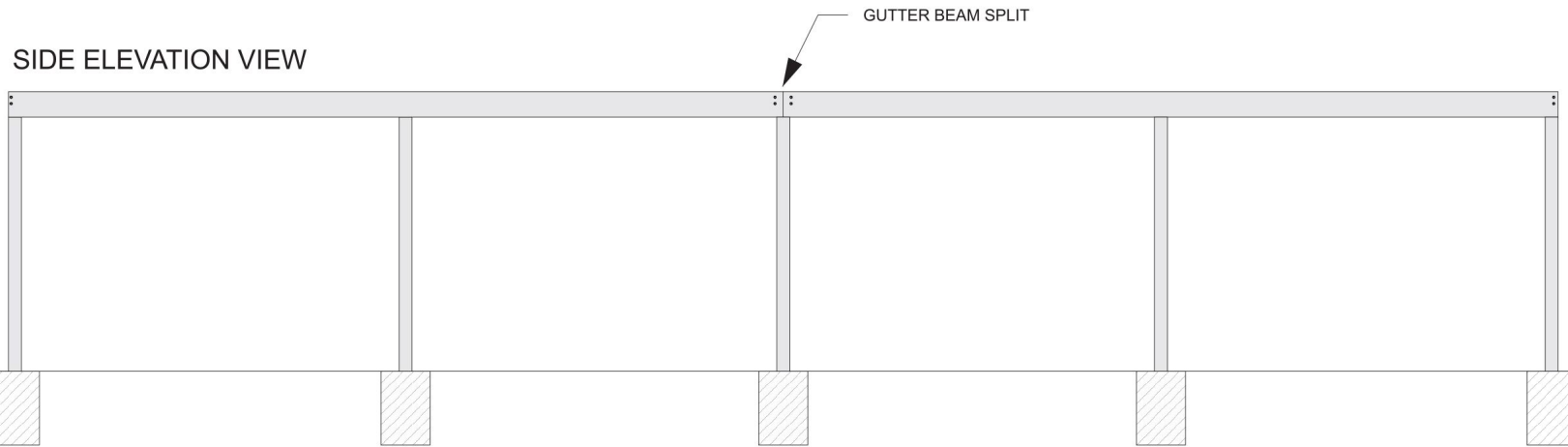


# WALKWAY CANOPY WITH GUTTER BEAMS

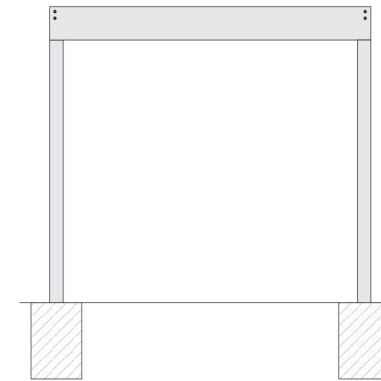
PLAN VIEW



SIDE ELEVATION VIEW

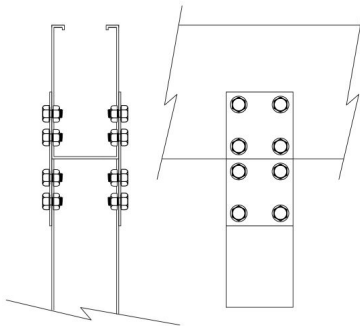


FRONT ELEVATION



POST TO BEAM

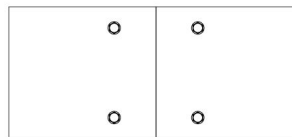
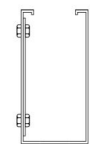
SECTION VIEW  
GUTTER/FASCIA



GUTTER BEAM SPLITS

SECTION VIEW

ELEVATION VIEW



297 OLD COUNTY LINE RD  
WESTERVILLE, OHIO  
43081

614-426-4206

PROJECT: \_\_\_\_\_  
LOCATION: \_\_\_\_\_  
  
PROJECT MANAGER: \_\_\_\_\_  
PROPOSED: \_\_\_\_\_

DATE: \_\_\_\_\_  
DESIGNER: \_\_\_\_\_  
ENGINEER: \_\_\_\_\_  
FILE FOLDER: \_\_\_\_\_  
PAGE OF \_\_\_\_\_

CANOPY TYPE DETAILS

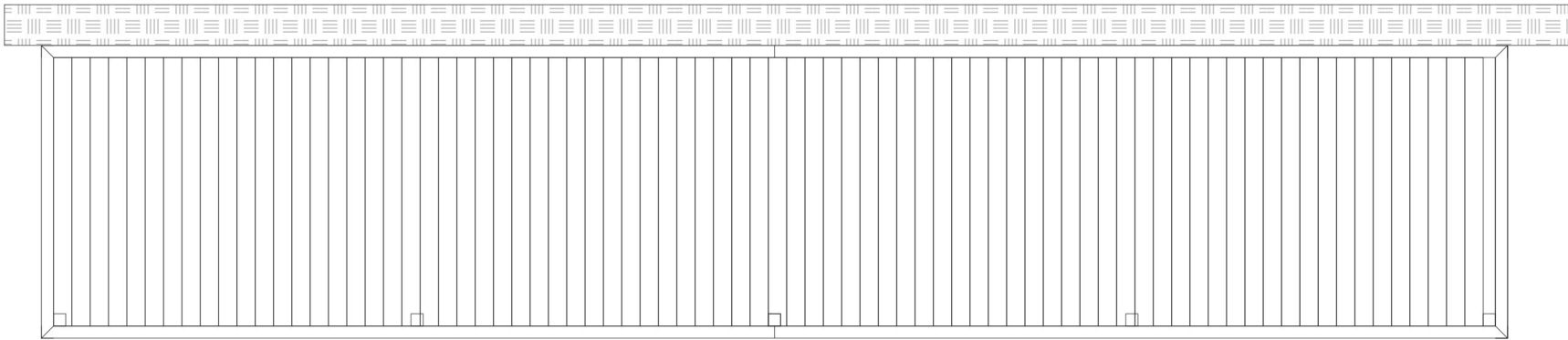
\_\_\_\_\_  
\_\_\_\_\_  
\_\_\_\_\_  
\_\_\_\_\_

APPROVED   
APPROVED WITH CORRECTIONS   
NOT APPROVED RESUBMIT

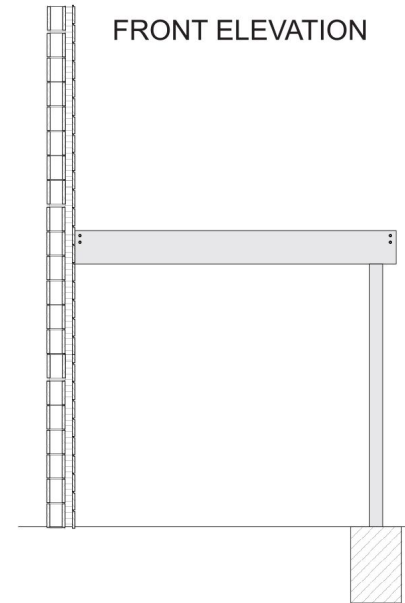
SIGNATURE: \_\_\_\_\_

# WALL AND POST SUPPORTED WALKWAY CANOPY

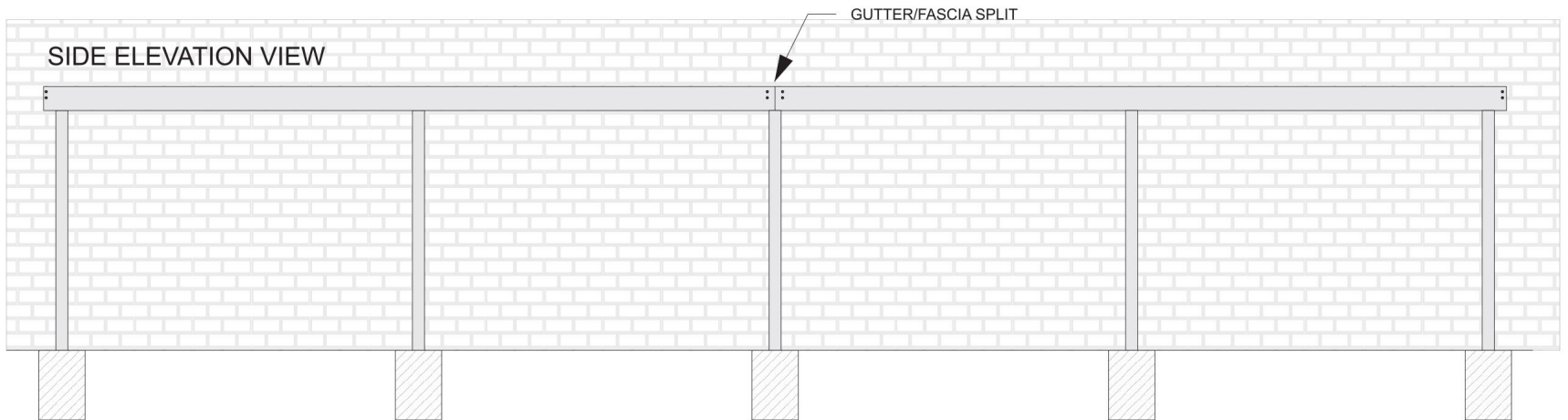
PLAN VIEW



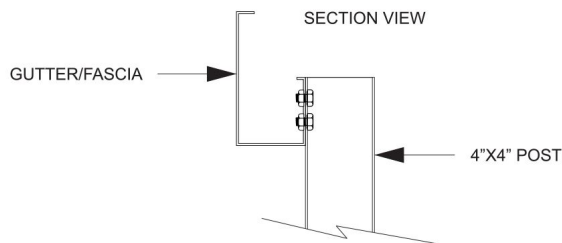
FRONT ELEVATION



SIDE ELEVATION VIEW

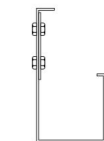


POST TO FRAME

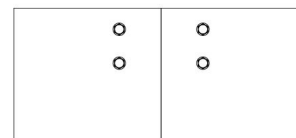


GUTTER/FASCIA SPLIT

SECTION VIEW



SECTION VIEW



297 OLD COUNTY LINE RD  
WESTERVILLE, OHIO  
43081

614-426-4206

www.columbusawningcompany.com

PROJECT: \_\_\_\_\_  
LOCATION: \_\_\_\_\_  
  
PROJECT MANAGER: \_\_\_\_\_  
PROPOSED: \_\_\_\_\_

DATE: \_\_\_\_\_  
DESIGNER: \_\_\_\_\_  
ENGINEER: \_\_\_\_\_  
FILE FOLDER: \_\_\_\_\_  
PAGE OF \_\_\_\_\_

CANOPY TYPE DETAILS

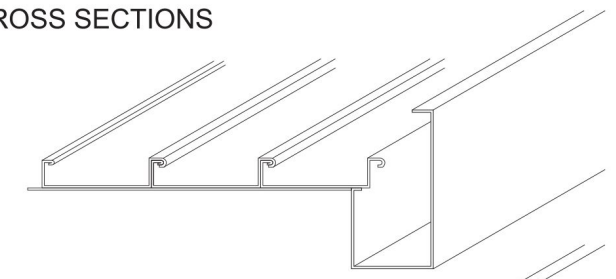
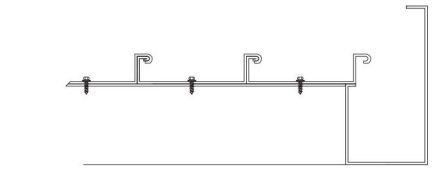
\_\_\_\_\_  
\_\_\_\_\_  
\_\_\_\_\_

APPROVED   
APPROVED WITH CORRECTIONS   
NOT APPROVED RESUBMIT

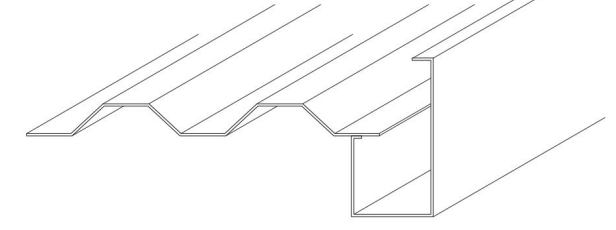
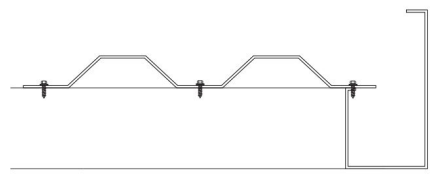
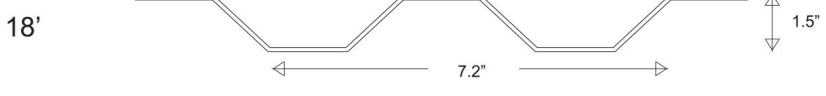
SIGNATURE: \_\_\_\_\_

MAXIMUM SPAN\*

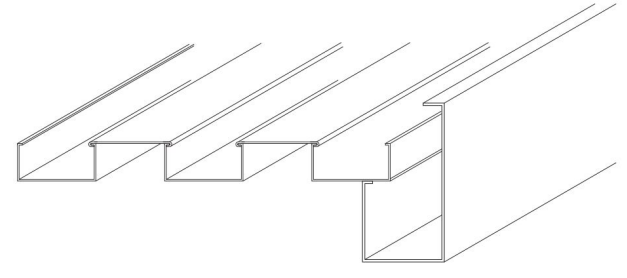
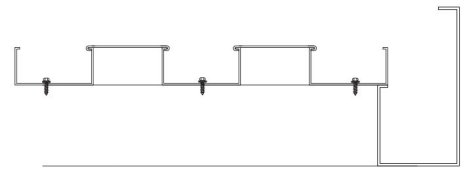
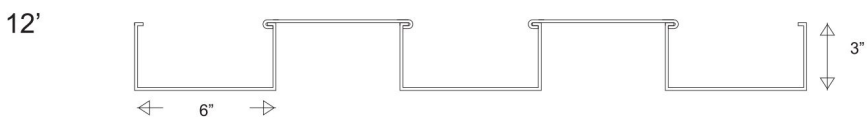
**6" FLAT STANDARD (.081), 6063-T5**



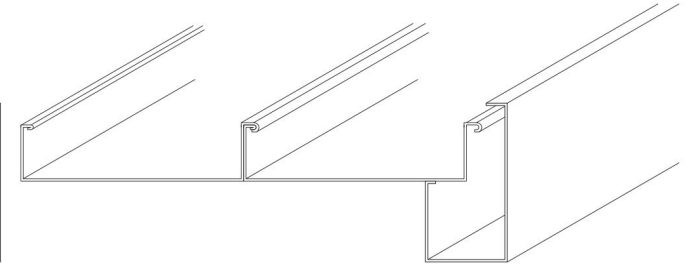
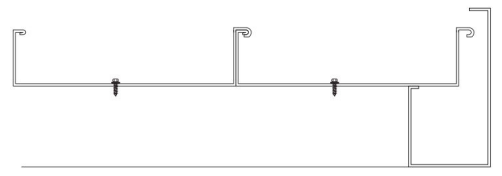
ROLL FORMED, STEEL, (GAUGE VARIES)



CAP AND PAN (.032), STEEL



12" FLAT (.032), H3003-H18



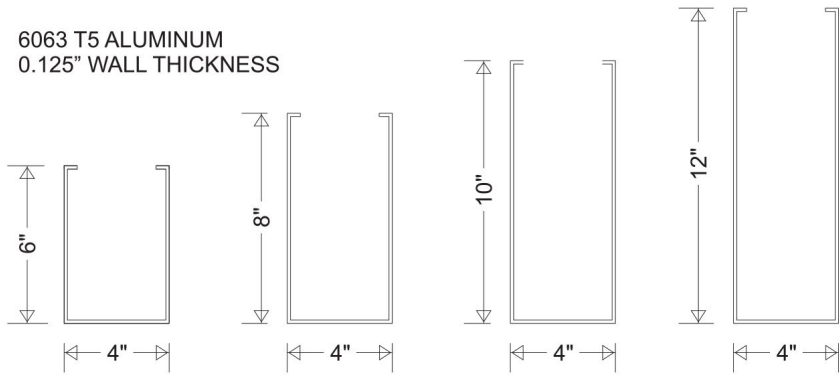
\* Spans exceeding the allowable distance can be achieved through additional structures.  
Columbus Awning develops engineering solutions to meet the customer's needs.  
Performance requirements vary according to State and Local codes

OTHER MATERIAL FOR DECKING IS AVAILABLE ON REQUEST:  
▲ PLEXIGLASS  
▲ WOOD  
▲ OTHERS

PROJECT: _____ LOCATION: _____	DATE: _____ DESIGNER: _____ ENGINEER: _____ FILE FOLDER: _____ PAGE OF _____	CANOPY TYPE DETAILS _____ _____ _____	APPROVED <input type="checkbox"/> APPROVED WITH CORRECTIONS <input type="checkbox"/> NOT APPROVED RESUBMIT <input type="checkbox"/> SIGNATURE: _____
PROJECT MANAGER: _____ PROPOSED: _____			

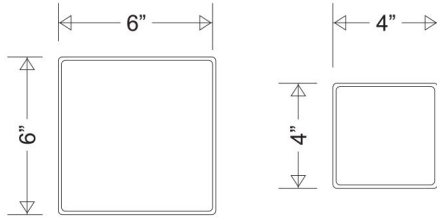
# STRUCTURAL COMPONENTS

6063 T5 ALUMINUM  
0.125" WALL THICKNESS



UTS:	27 KSI	27 KSI	27 KSI	27 KSI
YIELD:	59,500 LBS	73,500 LBS	87,500 LBS	101,500 LBS
YOUNGS MODULUS:	10,000 KSI	10,000 KSI	10,000 KSI	10,000 KSI

POSTS 6063 T6 ALUMINUM  
-OR-  
A500 GRADE B STEEL



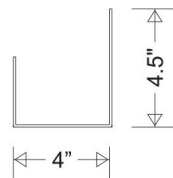
ALUMINUM	UTS:	28 KSI	28 KSI
	YIELD:	252,000 LBS	112,500 LBS
	YOUNGS MODULUS:	11,200 KSI	9,110 KSI
STEEL	UTS:	58 KSI	58 KSI
	YIELD:	522,000 LBS	232,000 LBS
	YOUNGS MODULUS:	11,200 KSI	9,110 KSI

# SPLICING PIECES

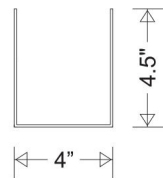
\* USED WITH SEALER

6063 T6 ALUMINUM  
0.125" WALL THICKNESS

GUTTER SPLICE



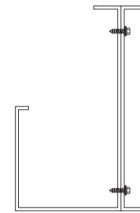
GUTTER BEAM SPLICE



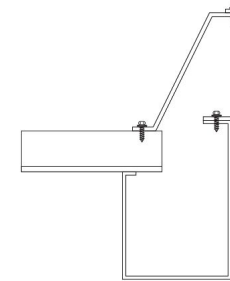
# GUTTER/FASCIA

MATERIAL: 6063-T6 ALUMINUM  
ULTIMATE TENSILE STRENGTH: 28KSI  
THICKNESS: 0.125"

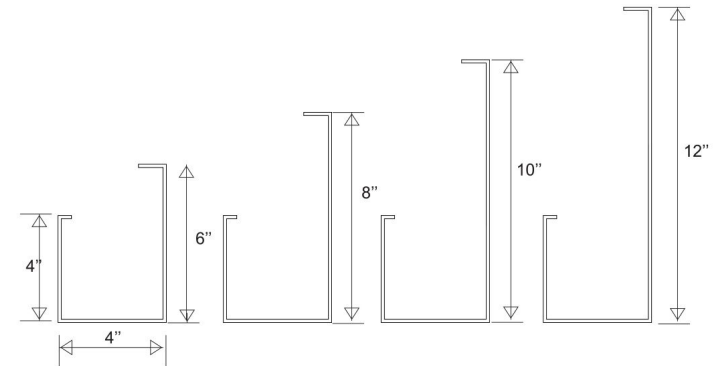
C CHANNEL



FASCIA EXTENSION

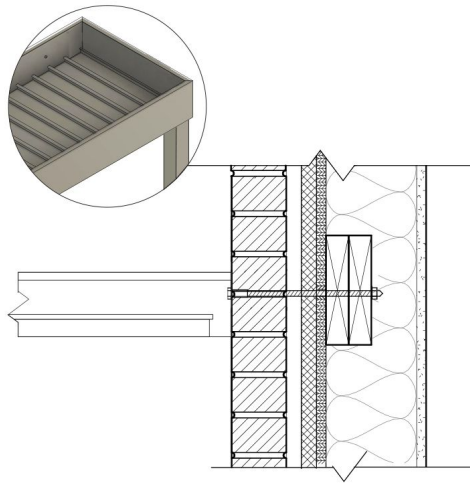


CUSTOM DIMENSIONS FOR  
"C" CHANNEL AND FASCIA EXTENSIONS  
COLUMBUS AWNING FABRICS  
CUSTOM FASCIA  
AND ATTACHES TO GUTTER/FASCIA

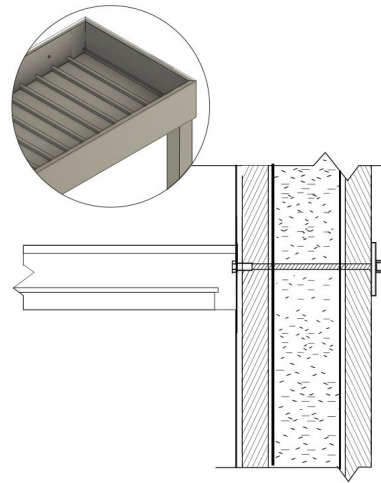


STANDARD FASCIA SHOWN  
CUSTOM FASCIA CAN BE FABRICATED BY COLUMBUS AWNING

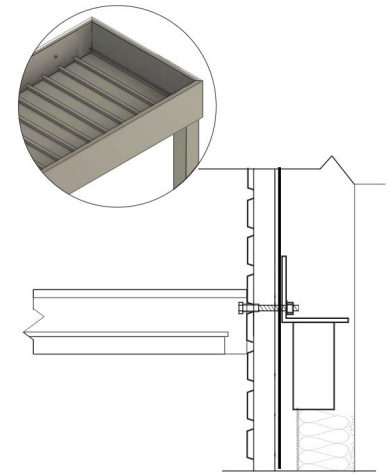
# WALL ATTACHMENTS



BRICK/BLOCK WITH THRU BOLTS AND COMPRESSION SLEEVES



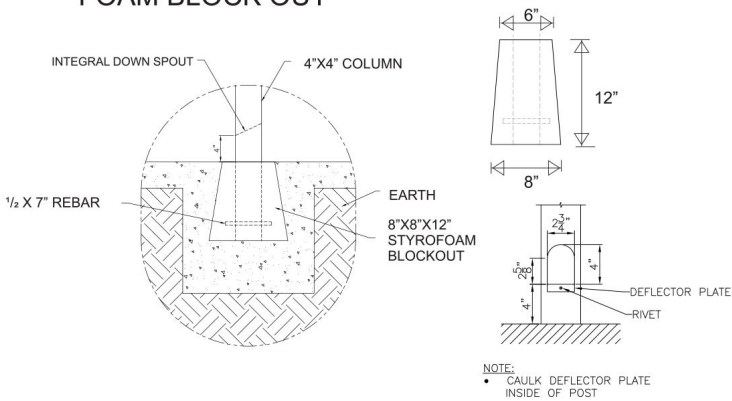
CMU WITH THRU BOLT



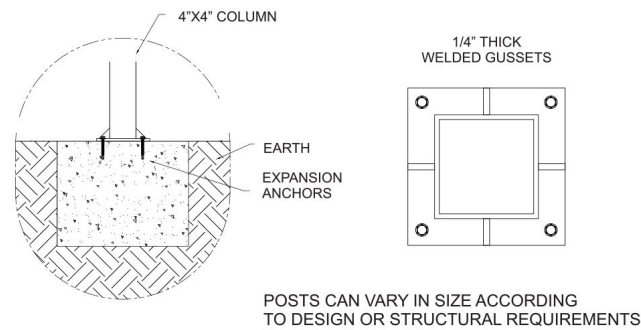
METAL BUILDING

# POST ANCHOR

## FOAM BLOCK OUT

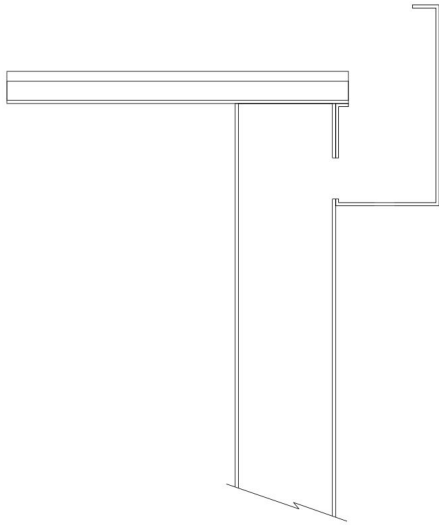


## SURFACE ANCHOR

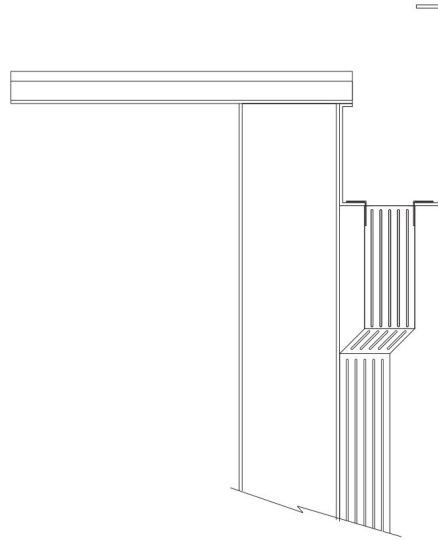


PROJECT: _____ LOCATION: _____  PROJECT MANAGER: _____ PROPOSED: _____	DATE: _____ DESIGNER: _____ ENGINEER: _____ FILE FOLDER: _____ PAGE OF _____	CANOPY TYPE DETAILS _____ _____ _____	APPROVED <input type="checkbox"/> APPROVED WITH CORRECTIONS <input type="checkbox"/> NOT APPROVED RESUBMIT <input type="checkbox"/>  SIGNATURE: _____
--	--	--	---

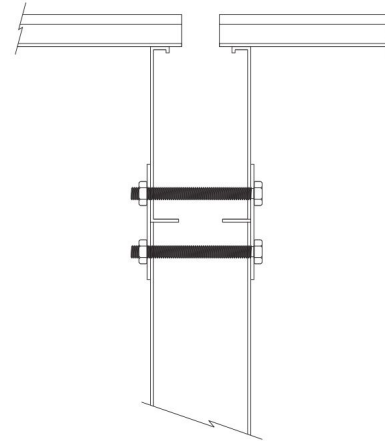
GUTTER TO POST



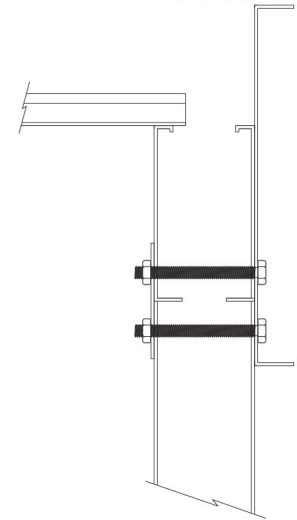
GUTTER TO DOWNSPOUT



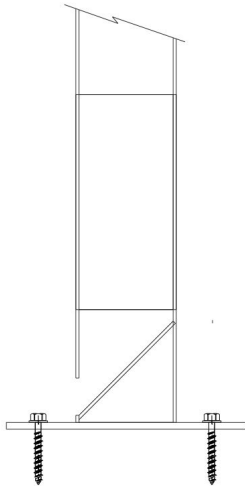
HORIZONTAL GUTTER BEAM TO POST



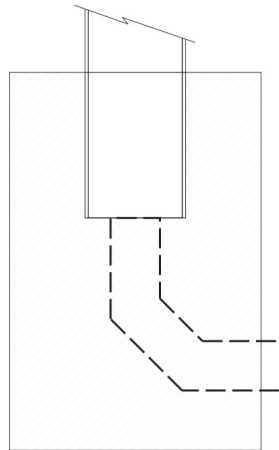
PERIMETER GUTTER BEAM TO POST



DEFLECTION PLATE FOR SURFACE DISPENSE



SUB SURFACE DISPENSE



<p>PROJECT: _____</p> <p>LOCATION: _____</p> <p>PROJECT MANAGER: _____</p> <p>PROPOSED: _____</p>	<p>DATE: _____</p> <p>DESIGNER: _____</p> <p>ENGINEER: _____</p> <p>FILE FOLDER: _____</p> <p>PAGE OF _____</p>	<p>CANOPY TYPE DETAILS</p> <p>_____</p>	<p>APPROVED <input type="checkbox"/></p> <p>APPROVED WITH CORRECTIONS <input type="checkbox"/></p> <p>NOT APPROVED RESUBMIT <input type="checkbox"/></p> <p>SIGNATURE: _____</p>
---	---	---	--





Image File Name: F753-CL.jpg

Item # <b>F753-CL</b>	UPC Code: <b>706411061929</b>
Product Family Name: <b>Java</b>	Finish: <b>Coal</b>
Category: <b>EXTERIOR FAN</b>	Category Type: <b>Ceiling Fan</b>
Certification <b>E75795</b>	
Patents:	
Notes:	



## MEASUREMENTS

Blade Finish:	Reversible Blades: <b>No</b>		
Blade Material: <b>PC</b>	Slope: <b>Yes</b>		
Blade Sweep: <b>54"</b>	No. of Blades: <b>3</b>	Blade Pitch: <b>14 DEGREES</b>	Hanging Weight: <b>16.18</b>
Downrod 1: <b>6</b>	Downrod 1 Outside Dia: <b>0.75</b>	Downrod 2: <b>80 INCH</b>	Downrod 2 Outside Dia: <b>153MM*18MM</b>
Ceiling to Lowest Point: (Dim A) <b>14.75</b>	Ceiling to Blade (Dim B) <b>13.25</b>	Lead Wire: <b>80 INCH</b>	Motor Size: <b>153MM*18MM</b>

	Low	Low/Med.	Medium	Med/High	High
<b>RPM:</b>	86				157
<b>Amps:</b>	0.22				0.372
<b>Watts:</b>	15.3				44.68
<b>CFM:</b>	2782.0				5357.0
<b>CFM/Watts:</b>	181.83				119.9

## LAMPING

No. of Bulbs: <b>0</b>	Light Type:	Light Kit Optional: <b>No</b>		
Max Bulb Wattage:	Socket:			
Integrated Light Kit: <b>No</b>	Dimmable: <b>No</b>	Ballast:	Rated Life Hours:	Uplight: <b>No</b>
Bulb/LED Included:	Color Temp.:	CRI:	Initial Lumens:	Delivered Lumens:

## GLASS

Description:	Material:
Part No.:	Quantity:
Width:	Height:
	Length:



## CONTROLS

Pull Chain Control: <b>No</b>	Works with Remote Control: <b>Yes</b>	Works with Wall Control: <b>Yes</b>
Reversible: <b>No</b>	Included Remote Control: <b>RCS213</b>	Included Wall Control:
Smart Control: <b>No</b>	Compatible Remote Control(s):	Compatible Wall Control(s): <b>WCS213</b>
Integrated Smart Control:		Compatible Smart Control: <b>BD-1000</b>



## SHIPPING

Carton Width: <b>10.0</b>	Carton Height: <b>10.5</b>	Carton Length: <b>28.25</b>
Carton Weight: <b>18.46</b>	Carton Cubic Feet: <b>1.717</b>	Small Package Shippable: <b>Yes</b>
Master Pack Width:	Master Pack Height:	Master Pack Length:
Master Pack Weight:	Master Cubic Feet:	Multi-Pack: <b>1</b>
		Master Pack: <b>1</b>



**Wet Location**



**UL Listed**



**WARNING:** Handling this product can expose you to chemicals including lead, which is known to the State of California to cause cancer and birth defects or other reproductive harm. Wash hands with soap and water after installing, handling, cleaning or otherwise touching this product. For more information go to: [www.P65Warnings.ca.gov](http://www.P65Warnings.ca.gov).

For additional information, please contact Customer Care: 1-800-221-7977 | Product depicted on this spec sheet is protected by United States Federal and/or State laws including US Patent, Trademark and/or Copyright and unfair competition laws. Unauthorized reproduction or use carries severe legal penalties.



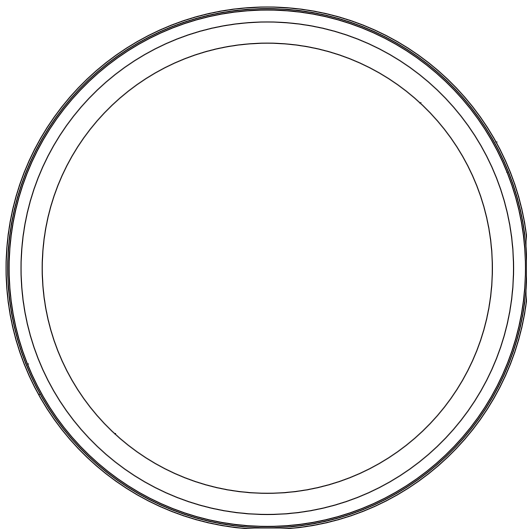
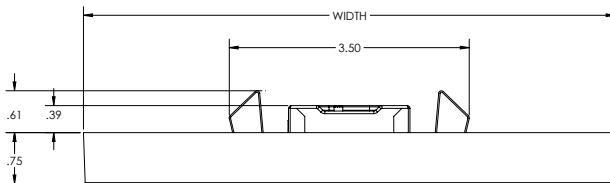
# Juno SlimForm™ LED with Selectable CCT

5" and 7" Round Downlight for JBox Installation

## JSF Series



### Dimensions



Project:
Fixture Type:
Location:
Contact/Phone:

### Product Features

Sleek, ultra-low profile energy efficient LED surface mount downlights available in 5" and 7" sizes. Optional finish trims available for custom, designer look similar to standard recessed downlights. Provides general illumination in residential and commercial applications including multi-family and hospitality. Ideal for use in corridors, living spaces, closets, hallways, pantries, stairways, outdoor covered areas and much more.

With the newly added selectable CCT switch, the JSF gives the ultimate in flexibility for both the distributor as well as the end user.

### Applications

- Suitable for wet locations (indoor covered ceilings): perfect for closets, showers, bathrooms, outdoor soffits, and covered ceiling applications.
- Residential and Light Commercial applications including multi-family and hospitality
- Ideal for use in corridors, foyers, living spaces, closets, hallways, pantries, stairways and much more
- Installs directly into industry standard junction boxes
- Suitable for use within closet storage spaces when installed per NEC requirements. *Junction box sizes vary - Verify compatibility with fixture prior to installation*

### Performance

Delivered Lumens	JSF 5IN = 800L JSF 7IN = 1100L
Led Color Temperature	Switchable White (2700K, 3000K, 3500K, 4000K, 5000K) Default set at 3000K
CRI	90+
Voltage	Dedicated 120V and MVOLT (120V-277V)
Dimming	Phase Dimming down to 10%. 0-10V and phase dimming available.

### Specifications

	Width	Depth
JSF 5IN	5.25 (13.34)	0.75 (1.91)
JSF 7IN	7.77 (19.74)	0.75 (1.91)

All dimensions are in Inches (centimeters unless otherwise indicated).



# Juno SlimForm™ LED with Selectable CCT

5" and 7" Round Downlight for JBox Installation



JSF

## ORDERING INFORMATION

### SlimForm LED Downlight

Example: JSF 5IN 07LM SWW5 90CRI 120 FRPC WH

Series	Size/Lumens	Color Temperature	CRI	Voltage/Driver	Finish
<b>JSF</b> SlimForm Surface Mount Downlight - Round	<b>5IN 07LM</b> 5", 700 Lumens <b>7IN 10LM</b> 7", 1000 Lumens	<b>SWW5</b> Switchable White (2700K, 3000K, 3500K, 4000K, 5000K)	<b>90CRI</b> 90+ CRI	<b>120 FRPC</b> Dedicated 120V, Forward Reverse Phase Dimming <b>MVOLT ZT</b> Universal Voltage 120V-277V, 0-10V Dimming	<b>WH</b> White
	<b>BL LGL</b> Black Low Glare lens <b>BZ LGL</b> Bronze Low Glare lens <b>SN LGL</b> Satin Nickel Low Glare Lens				

## ACCESSORIES

**TRIM** – Optional, field installable finish trim rings available to change the exterior finish of fixture.

Example: JSFTRIM 5IN BZ

Series	Size	Finish
JSFTRIM SlimForm Accessory-Trim	5IN 5 inches	WH White
	7IN 7 inches	BL Black BZ Bronze SN* Satin Nickel

**Note:**

\* SN not available for 5IN



BLACK



BRONZE



SATIN NICKEL



# Juno SlimForm™ LED with Selectable CCT

5" and 7" Round Downlight for JBox Installation



JSF

## Specifications

### Construction

Shallow, less than 1", solid ring with white finish • Non conductive construction allows for light shower applications • Optional, field installable finish trims available for 5" and 7" versions to change the exterior finish of fixture

### Optics

Light guide technology combined with diffusing lens conceals the LEDs from direct view and provides uniform lens luminance.

### LED Light Engine

LEDs mounted directly to heatsink designed to provide superior thermal management and ensure long life • Selectable CCT with steps at 27K, 30K, 35K, 40K, 50K • LEDs binned for 4-step MacAdam ellipse color consistency • 90 CRI minimum.

### LED Driver

Choice of dedicated 120 volt (120) driver or universal voltage (MVOLT) driver that accommodates input voltages from 120-277 volts AC at 50/60Hz • Power factor > 0.9 at 120V input • 120 volt driver is dimmable with the use of most incandescent, magnetic low voltage and electronic low voltage wall box dimmers • Universal voltage driver is dimmable with the use of most 0-10V wall box dimmers • External driver is only available on 5" and 7" models • For a list of compatible dimmers, see [JUNOSLIMFORM-DIM](#).

### Installation

#### Junction Box Mounting

Fixture provided with leads for direct wire connection in j-box • Installs directly to industry standard junction boxes • Compatible junction boxes include 4" metal standard and IC1JB junction box housing (3 1/2" junction box screw-hole spacing required for installation) • Minimum 1 3/4" depth and minimum 3 1/2" width of junction box required for installation for 5" and 7" fixtures • Quick mount bracket provides fast installation of fully assembled fixture to junction box • Suitable for ceiling mount • Suitable for use within closet storage spaces when installed per NEC requirements. Junction box sizes vary - Verify compatibility with fixture prior to installation

### Life

Rated for 50,000 hours at >70% lumen maintenance.

### Labels

ENERGY STAR® certified • Certified to the high efficacy requirements of California T24 JA8-2019 • CSA listed for US and Canada • Suitable for wet locations (covered ceilings).

### Testing

All reports are based on published industry procedures; field performance may differ from laboratory performance.

### Warranty

5-year limited warranty. This is the only warranty provided and no other statements in this specification sheet create any warranty of any kind. All other express and implied warranties are disclaimed. Complete warranty terms located at: [www.acuitybrands.com/support/warranty/terms-and-conditions](http://www.acuitybrands.com/support/warranty/terms-and-conditions)

**Note:** Actual performance may differ as a result of end-user environment and application.

All values are design or typical values, measured under laboratory conditions at 25 °C.

Specifications subject to change without notice.



# Juno SlimForm™ LED with Selectable CCT

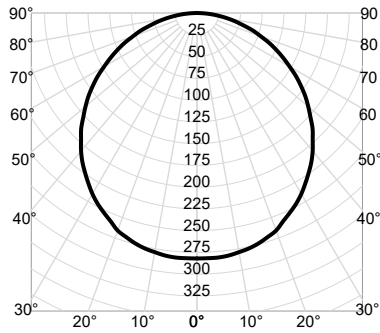
5" and 7" Round Downlight for JBox Installation



JSF

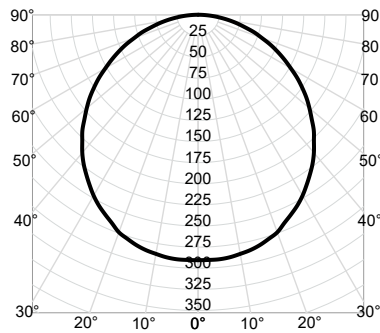
## PHOTOMETRICS

JSF 5IN 07LM SWW5 - 27K Input Watts: 9.2, Delivered Lumens: 791, LPW: 86.0, S/MH: 1.25, Test No: ISF 231051P1



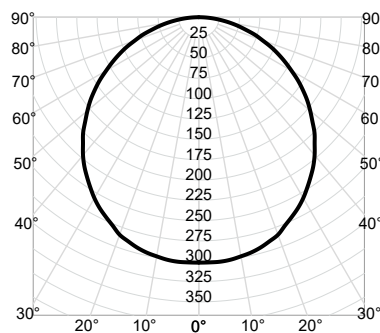
CP Summary		Zonal Lumen Summary		Coefficients of Utilization						Cone of Light			Luminance (cd/sq.m)						
0°	Zone	Lumens	% Fixture	pf	80%		20%		50%		Mounting Height	Initial FC Center Beam	Beam Diameter	Average Luminance					
				pc	pw	50%	30%	10%	50%	30%	10%	50%	30%	10%					
0°	282	0° - 30°	220	28%	0	119	119	119	116	116	116	111	111	111	6.0	7.8	17.9	0°	31,550
5°	282	0° - 40°	358	45%	1	104	100	96	102	98	94	98	94	91	8.0	4.4	23.8	45°	29,745
15°	274	0° - 60°	625	79%	2	91	84	78	89	82	77	85	80	75	10.0	2.8	29.8	55°	28,478
25°	253	0° - 90°	791	100%	3	80	71	65	78	70	64	75	69	63	12.0	2.0	35.8	65°	26,737
35°	224	90° - 180°	0	0%	4	71	62	55	69	61	55	67	60	54	14.0	1.4	41.7	75°	24,207
45°	188	0° - 180°	791	100%	5	63	54	47	62	54	47	60	52	47				85°	21,822
55°	146				6	57	48	41	56	47	41	54	47	41					
65°	101				7	52	43	37	51	42	36	49	42	36					
75°	56				8	47	39	33	46	38	33	45	38	32					
85°	17				9	43	35	29	43	35	29	42	34	29					
90°	0				10	40	32	27	39	32	27	38	31	27					

JSF 5IN 07LM SWW5 - 30K Input Watts: 9.1, Delivered Lumens: 814, LPW: 89.5, S/MH: 1.25, Test No: ISF 231051P2



CP Summary		Zonal Lumen Summary		Coefficients of Utilization						Cone of Light			Luminance (cd/sq.m)						
0°	Zone	Lumens	% Fixture	pf	80%		20%		50%		Mounting Height	Initial FC Center Beam	Beam Diameter	Average Luminance					
				pc	pw	50%	30%	10%	50%	30%	10%	50%	30%	10%					
0°	290	0° - 30°	227	28%	0	119	119	119	116	116	116	111	111	111	6.0	8.1	17.9	0°	32,496
5°	290	0° - 40°	369	45%	1	104	100	96	102	98	94	98	94	91	8.0	4.5	23.8	45°	30,638
15°	282	0° - 60°	643	79%	2	91	84	78	89	82	77	85	80	75	10.0	2.9	29.8	55°	29,332
25°	261	0° - 90°	814	100%	3	80	71	65	78	70	64	75	69	63	12.0	2.0	35.8	65°	27,539
35°	231	90° - 180°	0	0%	4	71	62	55	69	61	55	67	60	54	14.0	1.5	41.7	75°	24,933
45°	194	0° - 180°	814	100%	5	63	54	47	62	54	47	60	52	47				85°	22,477
55°	150				6	57	48	41	56	47	41	54	47	41					
65°	104				7	52	43	37	51	42	36	49	42	36					
75°	58				8	47	39	33	46	38	33	45	38	32					
85°	18				9	43	35	29	43	35	29	42	34	29					
90°	0				10	40	32	27	39	32	27	38	31	27					

JSF 5IN 07LM SWW5 - 35K Input Watts: 8.9, Delivered Lumens: 846, LPW: 95.1, S/MH: 1.25, Test No: ISF 231051P3



CP Summary		Zonal Lumen Summary		Coefficients of Utilization						Cone of Light			Luminance (cd/sq.m)						
0°	Zone	Lumens	% Fixture	pf	80%		20%		50%		Mounting Height	Initial FC Center Beam	Beam Diameter	Average Luminance					
				pc	pw	50%	30%	10%	50%	30%	10%	50%	30%	10%					
0°	302	0° - 30°	236	28%	0	119	119	119	116	116	116	111	111	111	6.0	8.4	17.9	0°	33,758
5°	302	0° - 40°	383	45%	1	104	100	96	102	98	94	98	94	91	8.0	4.7	23.8	45°	31,827
15°	293	0° - 60°	668	79%	2	91	84	78	89	82	77	85	80	75	10.0	3.0	29.8	55°	30,471
25°	271	0° - 90°	846	100%	3	80	71	65	78	70	64	75	69	63	12.0	2.1	35.8	65°	28,609
35°	240	90° - 180°	0	0%	4	71	62	55	69	61	55	67	60	54	14.0	1.5	41.7	75°	25,901
45°	201	0° - 180°	846	100%	5	63	54	47	62	54	47	60	52	47				85°	23,350
55°	156				6	57	48	41	56	47	41	54	47	41					
65°	108				7	52	43	37	51	42	36	49	42	36					
75°	60				8	47	39	33	46	38	33	45	38	32					
85°	18				9	43	35	29	43	35	29	42	34	29					
90°	0				10	40	32	27	39	32	27	38	31	27					



# Juno SlimForm™ LED with Selectable CCT

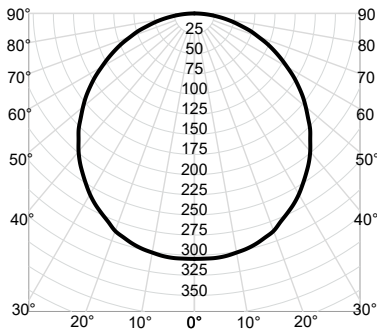
5" and 7" Round Downlight for JBox Installation



JSF

## PHOTOMETRICS

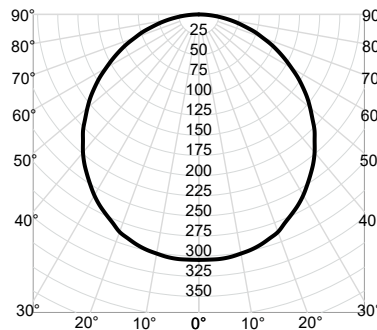
JSF 5IN 07LM SWW5 - 40K Input Watts: 9.1, Delivered Lumens: 854, LPW: 93.8, S/MH: 1.25, Test No: ISF 231051P4



CP Summary		Zonal Lumen Summary				Coefficients of Utilization										Cone of Light			Luminance (cd/sq.m)	
0°	Zone	Lumens	% Fixture	pw	50%	30%	10%	50%	30%	10%	50%	30%	10%	Mounting Height	Initial FC Center Beam	Beam Diameter	Average Luminance			
0°	0° - 30°	238	28%	0	119	119	119	116	116	116	111	111	111	6.0	8.5	17.9	0°	34,074		
5°	0° - 40°	386	45%	1	104	100	96	102	98	94	98	94	91	8.0	4.8	23.8	45°	32,125		
15°	0° - 60°	675	79%	2	91	84	78	89	82	77	85	80	75	10.0	3.0	29.8	55°	30,756		
25°	0° - 90°	854	100%	3	80	71	65	78	70	64	75	69	63	12.0	2.1	35.8	65°	28,876		
35°	90° - 180°	0	0%	4	71	62	55	69	61	55	67	60	54	14.0	1.6	41.7	75°	26,143		
45°	0° - 180°	854	100%	5	63	54	47	62	54	47	60	52	47				85°	23,568		
55°		158		6	57	48	41	56	47	41	54	47	41							
65°		109		7	52	43	37	51	42	36	49	42	36							
75°		60		8	47	39	33	46	38	33	45	38	32							
85°		18		9	43	35	29	43	35	29	42	34	29							
90°		0		10	40	32	27	39	32	27	38	31	27							

Beam Angle: 112.3°  
Field Angle: 163.9°

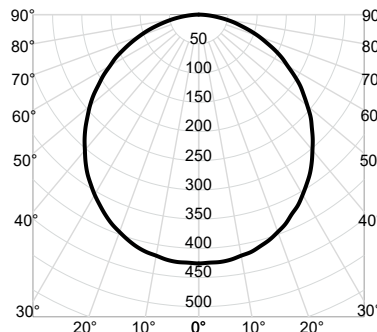
JSF 5IN 07LM SWW5 - 50K Input Watts: 9.2, Delivered Lumens: 854, LPW: 92.8, S/MH: 1.25, Test No: ISF 231051P5



CP Summary		Zonal Lumen Summary				Coefficients of Utilization										Cone of Light			Luminance (cd/sq.m)	
0°	Zone	Lumens	% Fixture	pw	50%	30%	10%	50%	30%	10%	50%	30%	10%	Mounting Height	Initial FC Center Beam	Beam Diameter	Average Luminance			
0°	0° - 30°	238	28%	0	119	119	119	116	116	116	111	111	111	6.0	8.5	17.9	0°	34,074		
5°	0° - 40°	386	45%	1	104	100	96	102	98	94	98	94	91	8.0	4.8	23.8	45°	32,125		
15°	0° - 60°	675	79%	2	91	84	78	89	82	77	85	80	75	10.0	3.0	29.8	55°	30,756		
25°	0° - 90°	854	100%	3	80	71	65	78	70	64	75	69	63	12.0	2.1	35.8	65°	28,876		
35°	90° - 180°	0	0%	4	71	62	55	69	61	55	67	60	54	14.0	1.6	41.7	75°	26,143		
45°	0° - 180°	854	100%	5	63	54	47	62	54	47	60	52	47				85°	23,568		
55°		158		6	57	48	41	56	47	41	54	47	41							
65°		109		7	52	43	37	51	42	36	49	42	36							
75°		60		8	47	39	33	46	38	33	45	38	32							
85°		18		9	43	35	29	43	35	29	42	34	29							
90°		0		10	40	32	27	39	32	27	38	31	27							

Beam Angle: 112.3°  
Field Angle: 163.9°

JSF 7IN 10LM SWW5 - 27K Input Watts: 12.0, Delivered Lumens: 1182, LPW: 98.5, S/MH: 1.24, Test No: ISF 23588P1



CP Summary		Zonal Lumen Summary				Coefficients of Utilization										Cone of Light			Luminance (cd/sq.m)	
0°	Zone	Lumens	% Fixture	pw	50%	30%	10%	50%	30%	10%	50%	30%	10%	Mounting Height	Initial FC Center Beam	Beam Diameter	Average Luminance			
0°	0° - 30°	331	28%	0	119	119	119	116	116	116	111	111	111	6.0	11.8	16.9	0°	18,617		
5°	0° - 40°	538	45%	1	104	100	96	102	98	94	97	94	91	8.0	6.7	22.5	45°	16,934		
15°	0° - 60°	937	79%	2	91	84	78	89	83	77	85	80	75	10.0	4.3	28.2	55°	16,153		
25°	0° - 90°	1,182	100%	3	80	72	65	78	71	64	75	69	63	12.0	3.0	33.8	65°	14,891		
35°	90° - 180°	0	0%	4	71	62	55	69	61	55	67	60	54	14.0	2.2	39.5	75°	12,833		
45°	0° - 180°	1,182	100%	5	63	54	48	62	54	47	60	52	47				85°	10,029		
55°		212		6	57	48	42	56	47	41	54	47	41							
65°		144		7	52	43	37	51	42	37	49	42	36							
75°		76		8	47	39	33	46	38	33	45	38	32							
85°		20		9	43	35	29	43	35	29	42	34	29							
90°		0		10	40	32	27	39	32	27	38	31	27							

Beam Angle: 109.3°  
Field Angle: 161.5°



# Juno SlimForm™ LED with Selectable CCT

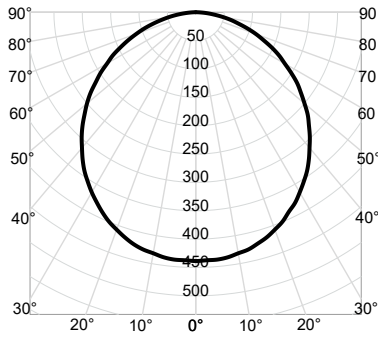
5" and 7" Round Downlight for JBox Installation



JSF

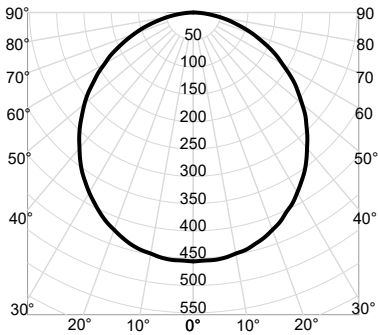
## PHOTOMETRICS

JSF 7IN 10LM SWW5 - 30K Input Watts: 12.3, Delivered Lumens: 1218, LPW: 99.0, S/MH: 1.24, Test No: ISF 23588P2



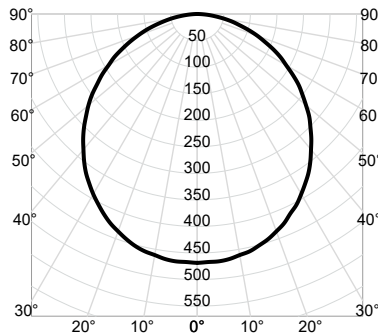
CP Summary				Zonal Lumen Summary				Coefficients of Utilization										Cone of Light			Luminance (cd/sq.m)	
0°	Zone	Lumens	% Fixture	pf pc	80%		20%		50%		Mounting Height	Initial FC Center Beam	Beam Diameter	Average Luminance								
				pw	50%	30%	10%	50%	30%	10%				0°	85°							
0°	439	0° - 30°	341	28%	0	119	119	119	116	116	116	111	111	111	6.0	12.2	16.9	0°	19,176			
5°	438	0° - 40°	554	45%	1	104	100	96	102	98	94	97	94	91	8.0	6.9	22.5	45°	17,442			
15°	422	0° - 60°	966	79%	2	91	84	78	89	83	77	85	80	75	10.0	4.4	28.2	55°	16,637			
25°	388	0° - 90°	1,218	100%	3	80	72	65	78	71	64	75	69	63	12.0	3.0	33.8	65°	15,338			
35°	342	90° - 180°	0	0%	4	71	62	55	69	61	55	67	60	54	14.0	2.2	39.5	75°	13,218			
45°	282	0° - 180°	1,218	100%	5	63	54	48	62	54	47	60	52	47	Beam Angle: 109.3°			85°	10,329			
55°	218														Field Angle: 161.5°							
65°	148																					
75°	78																					
85°	21																					
90°	0																					

JSF 7IN 10LM SWW5 - 35K Input Watts: 12.1, Delivered Lumens: 1265, LPW: 104.5, S/MH: 1.24, Test No: ISF 23588P3



CP Summary				Zonal Lumen Summary				Coefficients of Utilization										Cone of Light			Luminance (cd/sq.m)	
0°	Zone	Lumens	% Fixture	pf pc	80%		20%		50%		Mounting Height	Initial FC Center Beam	Beam Diameter	Average Luminance								
				pw	50%	30%	10%	50%	30%	10%				0°	85°							
0°	456	0° - 30°	354	28%	0	119	119	119	116	116	116	111	111	111	6.0	12.7	16.9	0°	19,920			
5°	455	0° - 40°	575	45%	1	104	100	96	102	98	94	97	94	91	8.0	7.1	22.5	45°	18,120			
15°	439	0° - 60°	1,003	79%	2	91	84	78	89	83	77	85	80	75	10.0	4.6	28.2	55°	17,284			
25°	403	0° - 90°	1,265	100%	3	80	72	65	78	71	64	75	69	63	12.0	3.2	33.8	65°	15,933			
35°	355	90° - 180°	0	0%	4	71	62	55	69	61	55	67	60	54	14.0	2.3	39.5	75°	13,731			
45°	293	0° - 180°	1,265	100%	5	63	54	48	62	54	47	60	52	47	Beam Angle: 109.3°			85°	10,731			
55°	227														Field Angle: 161.5°							
65°	154																					
75°	81																					
85°	21																					
90°	0																					

JSF 7IN 10LM SWW5 - 40K Input Watts: 12.2, Delivered Lumens: 1301, LPW: 106.6, S/MH: 1.24, Test No: ISF 23588P4



CP Summary				Zonal Lumen Summary				Coefficients of Utilization										Cone of Light			Luminance (cd/sq.m)	
0°	Zone	Lumens	% Fixture	pf pc	80%		20%		50%		Mounting Height	Initial FC Center Beam	Beam Diameter	Average Luminance								
				pw	50%	30%	10%	50%	30%	10%				0°	85°							
0°	469	0° - 30°	364	28%	0	119	119	119	116	116	116	111	111	111	6.0	13.0	16.9	0°	20,479			
5°	468	0° - 40°	592	45%	1	104	100	96	102	98	94	97	94	91	8.0	7.3	22.5	45°	18,628			
15°	451	0° - 60°	1,031	79%	2	91	84	78	89	83	77	85	80	75	10.0	4.7	28.2	55°	17,768			
25°	415	0° - 90°	1,300	100%	3	80	72	65	78	71	64	75	69	63	12.0	3.3	33.8	65°	16,380			
35°	365	90° - 180°	0	0%	4	71	62	55	69	61	55	67	60	54	14.0	2.4	39.5	75°	14,116			
45°	301	0° - 180°	1,301	100%	5	63	54	48	62	54	47	60	52	47	Beam Angle: 109.3°			85°	11,031			
55°	233														Field Angle: 161.5°							
65°	158																					
75°	84																					
85°	22																					
90°	0																					



# Juno SlimForm™ LED with Selectable CCT

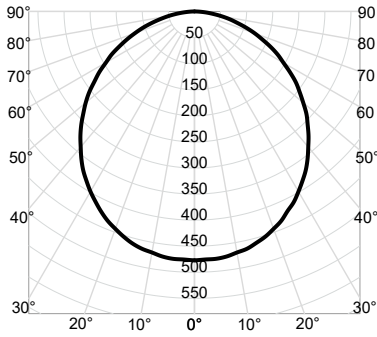
5" and 7" Round Downlight for JBox Installation



JSF

## PHOTOMETRICS

JSF 7IN 10LM SWW5 - 50K Input Watts: 12.3, Delivered Lumens: 1324, LPW: 107.6, S/MH: 1.24, Test No: ISF 23588P5



CP Summary	Zonal Lumen Summary				Coefficients of Utilization									Cone of Light			Luminance (cd/sq.m)		
	0°	Zone	Lumens	% Fixture	pw	80%			20%			50%			Mounting Height	Initial FC Center Beam	Beam Diameter	Average Luminance	
						50%	30%	10%	50%	30%	10%	50%	30%	10%					
0°	477	0° - 30°	370	28%	0	119	119	119	116	116	116	111	111	111	6.0	13.3	16.9	0°	20,851
5°	476	0° - 40°	602	45%	1	104	100	96	102	98	94	97	94	91	8.0	7.5	22.5	45°	18,967
15°	459	0° - 60°	1,050	79%	2	91	84	78	89	83	77	85	80	75	10.0	4.8	28.2	55°	18,091
25°	422	0° - 90°	1,324	100%	3	80	72	65	78	71	64	75	69	63	12.0	3.3	33.8	65°	16,678
35°	372	90° - 180°	0	0%	4	71	62	55	69	61	55	67	60	54	14.0	2.4	39.5	75°	14,373
45°	307	0° - 180°	1,324	100%	5	63	54	48	62	54	47	60	52	47				85°	11,232
55°	237				6	57	48	42	56	47	41	54	47	41					
65°	161				7	52	43	37	51	42	37	49	42	36					
75°	85				8	47	39	33	46	38	33	45	38	32					
85°	22				9	43	35	29	43	35	29	42	34	29					
90°	0				10	40	32	27	39	32	27	38	31	27					

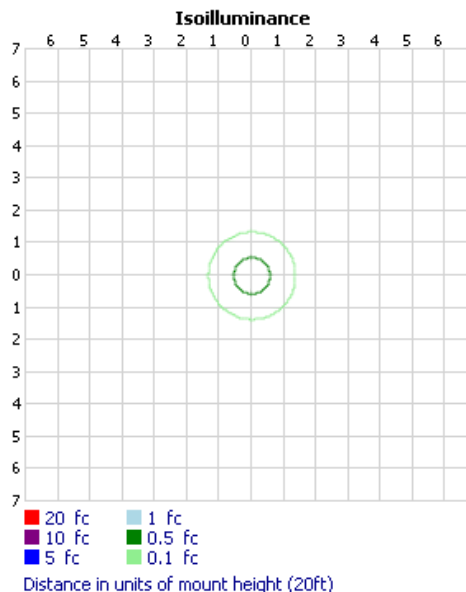
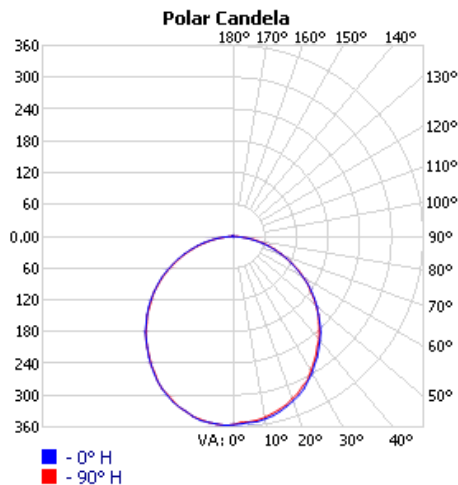
Beam Angle: 109.3°  
Field Angle: 161.5°



**INDOOR PHOTOMETRIC REPORT**

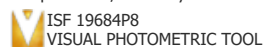
CATALOG: WF6 ADJ LED 27K30K35K 90CRI\_3000K

Test #: ISF 19684P8  
 Test Lab: SCALED PHOTOMETRY  
 Catalog: WF6 ADJ LED 27K30K35K 90CRI\_3000K  
 Description: 6" Wafer Gimbal 2700K3000K3500K 90CRI\_3000K  
 Series: Switchable White Adjustable Wafer Canless Downlight  
 Lamp Output: Total luminaire Lumens: 1008.2, absolute photometry \*  
 Input Wattage: 12  
 Luminous Opening: Circular (Dia: 3.24")  
 Cie Class: Direct  
 Max Cd: 358.6 at Horizontal: 292.5°, Vertical: 2.5°  
 Spacing Criterion: @ 0 = 1.24 / @ 90 = 1.24



\*Test based on absolute photometry where lamp lumens=lumens total.  
 \*Cutoff Classification and efficiency cannot be properly calculated for absolute photometry.

Visual Photometric Tool 1.2.46 copyright 2023, Acuity Brands Lighting.  
 This Photometric report has been generated using methods recommended by the IESNA. Calculations are based on Photometric data provided by the manufacturer, and the accuracy of this Photometric report is dependent on the accuracy of the data provided. End-user environment and application (including, but not limited to, voltage variation and dirt accumulation) can cause actual Photometric performance to differ from the performance calculated using the data provided by the manufacturer. This report is provided without warranty as to accuracy, completeness, reliability or otherwise. In no event will Acuity Brands Lighting be responsible for any loss resulting from any use of this report.



**INDOOR PHOTOMETRIC REPORT**  
 CATALOG: WF6 ADJ LED 27K30K35K 90CRI\_3000K



**Zonal Lumen Summary**

Zone	Lumens	% Luminaire
0-30	275.2	27.3%
0-40	447.9	44.4%
0-60	789.1	78.3%
60-90	218.8	21.7%
70-100	94.7	9.4%
90-120	0.2	0%
0-90	1,007.9	100%
90-180	0.3	0%
0-180	1,008.2	100%

**Lumens Per Zone**

Zone	Lumens	% Total	Zone	Lumens	% Total
0-10	33.6	3.3%	90-100	0.2	0%
10-20	96.2	9.5%	100-110	0.000	0%
20-30	145.3	14.4%	110-120	0.000	0%
30-40	172.8	17.1%	120-130	0.000	0%
40-50	178.9	17.7%	130-140	0.000	0%
50-60	162.2	16.1%	140-150	0.0	0%
60-70	124.3	12.3%	150-160	0.000	0%
70-80	73.6	7.3%	160-170	0.0	0%
80-90	21.0	2.1%	170-180	0.0	0%

**Average Luminance (Cd/m2)**

	0	45	90	135	180	225	270	315	360
0	66865	66865	66865	66865	66865	66865	66865	66865	66865
45	61738	62129	60957	62519	61738	61347	61347	60957	61738
55	59251	59251	58769	60696	59733	58769	59733	58769	59251
65	54918	54918	55571	56879	56225	55571	55571	54918	54918
75	50174	50174	51242	52309	51242	49107	50174	48039	50174
85	34872	38042	44383	44383	41212	34872	34872	34872	34872

**Coefficients Of Utilization - Zonal Cavity Method**

Effective Floor Cavity Reflectance: 20%

RCC %:	80				70				50				30				10				0
RW %:	70	50	30	0	70	50	30	0	50	30	20	0	50	30	20	0	50	30	20	0	0
RCR: 0	1.19	1.19	1.19	1.19	1.16	1.16	1.16	1.00	1.11	1.11	1.11	1.11	1.06	1.06	1.06	1.02	1.02	1.02	1.00	1.00	
1	1.09	1.04	.99	.95	1.06	1.01	.97	.84	.97	.94	.91	.93	.91	.88	.90	.87	.85	.83	.83	.83	
2	.99	.90	.83	.77	.96	.88	.82	.71	.85	.79	.75	.81	.77	.73	.78	.75	.71	.69	.69	.69	
3	.90	.79	.71	.64	.87	.78	.70	.60	.75	.68	.63	.72	.66	.61	.69	.64	.60	.58	.58	.58	
4	.82	.70	.61	.54	.80	.69	.60	.51	.66	.59	.53	.64	.58	.53	.62	.56	.52	.50	.50	.50	
5	.76	.63	.54	.47	.73	.61	.53	.45	.59	.52	.46	.57	.51	.46	.55	.50	.45	.43	.43	.43	
6	.70	.56	.47	.41	.68	.55	.47	.39	.54	.46	.40	.52	.45	.40	.50	.44	.40	.37	.37	.37	
7	.65	.51	.42	.36	.63	.50	.42	.35	.49	.41	.36	.47	.40	.35	.46	.40	.35	.33	.33	.33	
8	.60	.47	.38	.32	.59	.46	.38	.31	.45	.37	.32	.43	.37	.32	.42	.36	.31	.30	.30	.30	
9	.56	.43	.35	.29	.55	.42	.34	.28	.41	.34	.29	.40	.33	.29	.39	.33	.28	.27	.27	.27	
10	.53	.39	.32	.26	.51	.39	.31	.26	.38	.31	.26	.37	.30	.26	.36	.30	.26	.24	.24	.24	

**INDOOR PHOTOMETRIC REPORT**  
 CATALOG: WF6 ADJ LED 27K30K35K 90CRI\_3000K



**Candela Table - Type C**

	0	22.5	45	67.5	90	112.5	135	157.5	180	202.5	225	247.5	270	292.5	315	337.5	360
0	356	356	356	356	356	356	356	356	356	356	356	356	356	356	356	356	356
5	353	348	356	353	351	350	354	351	356	354	353	354	356	359	351	357	353
10	350	345	353	350	347	347	351	350	353	350	348	348	351	353	347	351	350
15	342	337	342	341	338	338	342	341	342	341	341	340	342	344	338	344	342
20	331	326	332	331	326	328	332	329	332	329	328	329	331	332	326	331	331
25	317	313	319	317	312	315	319	316	317	316	315	316	317	317	313	317	317
30	298	294	298	297	294	297	300	298	298	297	295	297	297	298	294	298	298
35	278	275	278	276	273	276	279	275	278	276	275	275	276	278	275	278	278
40	256	253	256	256	253	256	259	254	256	254	253	253	256	256	253	254	256
45	232	232	234	235	229	234	235	232	232	231	231	231	231	232	229	232	232
50	207	207	207	209	206	209	210	207	209	206	206	204	206	207	204	207	207
55	181	182	181	184	179	184	185	182	182	182	179	181	182	182	179	182	181
60	153	154	153	156	153	156	159	156	156	153	153	153	154	154	150	153	153
65	123	126	123	126	125	128	128	126	126	125	125	125	125	125	123	125	123
70	96	97	96	98	97	98	100	98	98	97	97	97	97	97	96	97	96
75	69	71	69	71	71	72	72	72	71	69	68	69	69	69	66	68	69
80	41	44	43	44	44	46	46	46	44	43	43	43	41	41	41	41	41
85	16	18	18	19	21	21	21	19	19	19	16	16	16	16	16	18	16
90	0	0	0	0	0	0	0	0	0	0	1.47	1.47	1.47	0	1.47	1.47	0
95	0	0	0	0	0	0	0	0	0	0	0	0	0	0	0	0	0
100	0	0	0	0	0	0	0	0	0	0	0	0	0	0	0	0	0
105	0	0	0	0	0	0	0	0	0	0	0	0	0	0	0	0	0
110	0	0	0	0	0	0	0	0	0	0	0	0	0	0	0	0	0
115	0	0	0	0	0	0	0	0	0	0	0	0	0	0	0	0	0
120	0	0	0	0	0	0	0	0	0	0	0	0	0	0	0	0	0
125	0	0	0	0	0	0	0	0	0	0	0	0	0	0	0	0	0
130	0	0	0	0	0	0	0	0	0	0	0	0	0	0	0	0	0
135	0	0	0	0	0	0	0	0	0	0	0	0	0	0	0	0	0
140	0	0	0	0	0	0	0	0	0	0	0	0	0	0	0	0	0
145	0	0	0	0	0	0	0	0	0	0	0	0	0	0	0	0	0
150	0	0	0	0	0	0	0	0	0	0	0	0	0	0	0	0	0
155	0	0	0	0	0	0	0	0	0	0	0	0	0	0	0	0	0
160	0	0	0	0	0	0	0	0	0	0	0	0	0	0	0	0	0
165	0	0	0	0	0	0	0	0	0	0	0	0	0	0	0	0	0
170	0	1.47	0	0	0	0	0	0	0	0	0	1.47	0	1.47	0	0	0
175	0	0	0	0	0	1.47	0	0	0	0	1.47	1.47	0	0	0	1.47	0
180	0	0	0	0	0	0	0	0	0	0	0	0	0	0	0	0	0