

THE BAILEY  
AT BRIDGE PARK

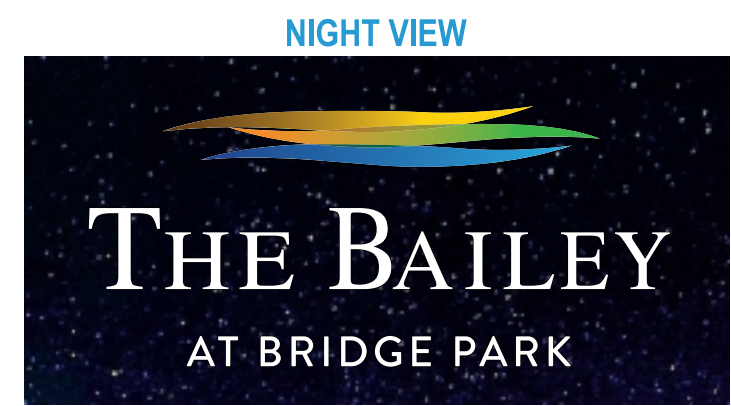
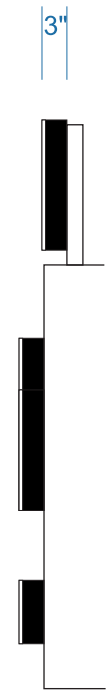
THE BAILEY  
AT BRIDGE PARK

FACES 3/4" 2447 WHITE ACRYLIC w/PRINT APPLIED TO LOGO

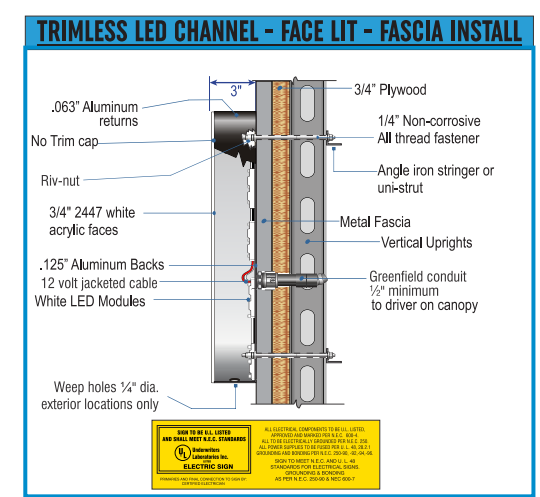
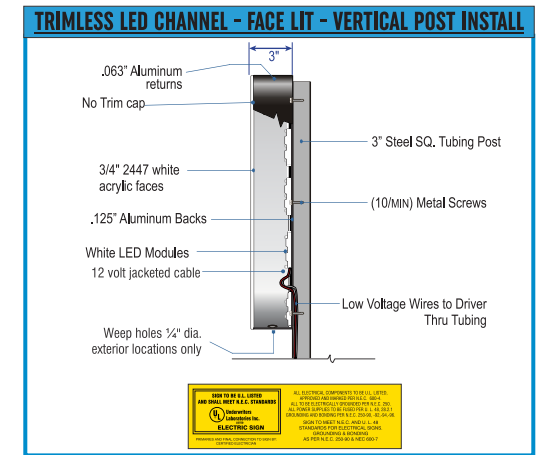
RETURNS 3" STD SATIN BLACK ON LETTERS & 3" DEEP .063 ALUM PAINTED SATIN BLACK w/WELDED .125 ALUM BACK

LEDS GRID IN LOGO USING QWIK MOD 2 WHITE & 1-2 ROWS IN LTRS USING QWIK MOD 2 MINI WHITE BOTH 7100K

POWER 120V PP REMOTE MOUNTED



- TRANS. VINYL FACE
- DIGITAL PRINT
- PAINTED RETURNS - ALL
- SATIN BLACK
- CHANNEL LETTER FACES
- 3/4" ACRYLIC
- 2447 WHITE



SQ. FT:  
42



CLIENT | Crawford Hoying - The Bailey

LOCATION | Dublin, OH

SAVED AS |

Crawford\_Hoying\_The\_Bailey

DATE | 8/10/23

REVISIONS | 10/20/23

SALESMAN | Adam Kessler

DESIGNER | Jared Faber

SALESMAN INITIAL OF APPROVAL |

X

- GLOSS
- SATIN
- SEMI-GLOSS
- FLAT



CIRCUITS   1-20AMP	5
VOLTAGE   120V	3
DRAW   5AMP MAX	3
	2
	1

ALL CONCEPTS, DESIGNS, AND PLANS REPRESENTED BY THIS DOCUMENT ARE THE PROPERTY OF THE KESSLER DESIGN GROUP AND ARE FOR THE USE ON THE PROJECT SPECIFIED IN THIS DOCUMENT.

COPYRIGHT 2023 BY KESSLER DESIGN GROUP ALL RIGHTS RESERVED

2669 NATIONAL ROAD  
P.O. BOX 0785  
ZANESVILLE, OHIO 43701-0785  
740-453-0668 | 1-800-686-1870

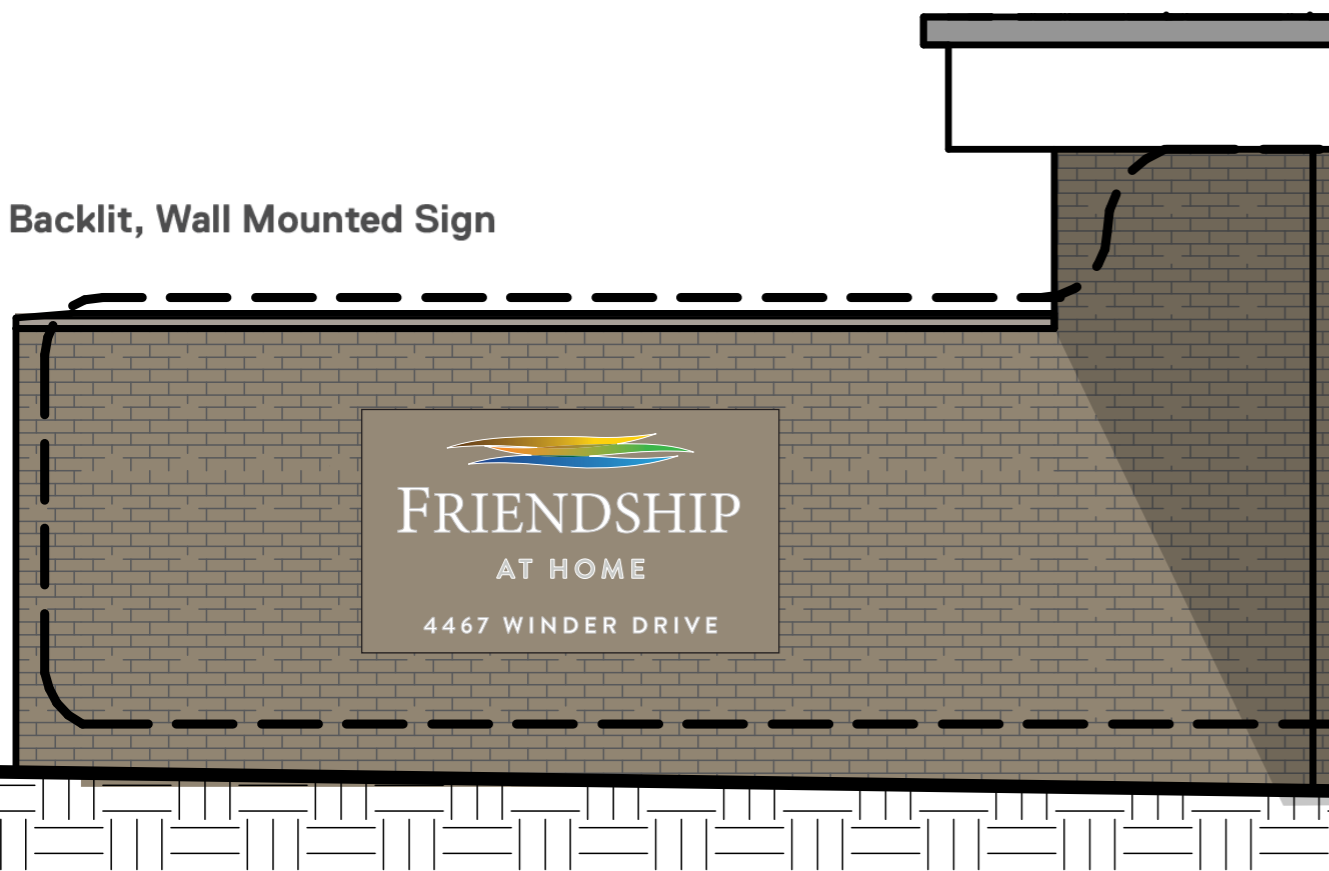
THE KESSLER DESIGN GROUP

NEW S/F LED ILLUMINATED TRIMLESS CHANNEL LETTERS ATTACHED TO BUILDING AWNING

SCALE: 1/2" = 1'

**3** West Fascia Sign

Backlit, Wall Mounted Sign



West Elevation



CLIENT | Crawford Hoying - The Bailey

LOCATION | Dublin, OH

SAVED AS |

Crawford\_Hoying\_The\_Bailey

DATE | 8/10/23

REVISIONS | 12/22/23

SALESMAN | Adam Kessler

DESIGNER | Jared Faber

SALESMAN INITIAL OF APPROVAL |

X

- GLOSS
- SATIN
- SEMI-GLOSS
- FLAT

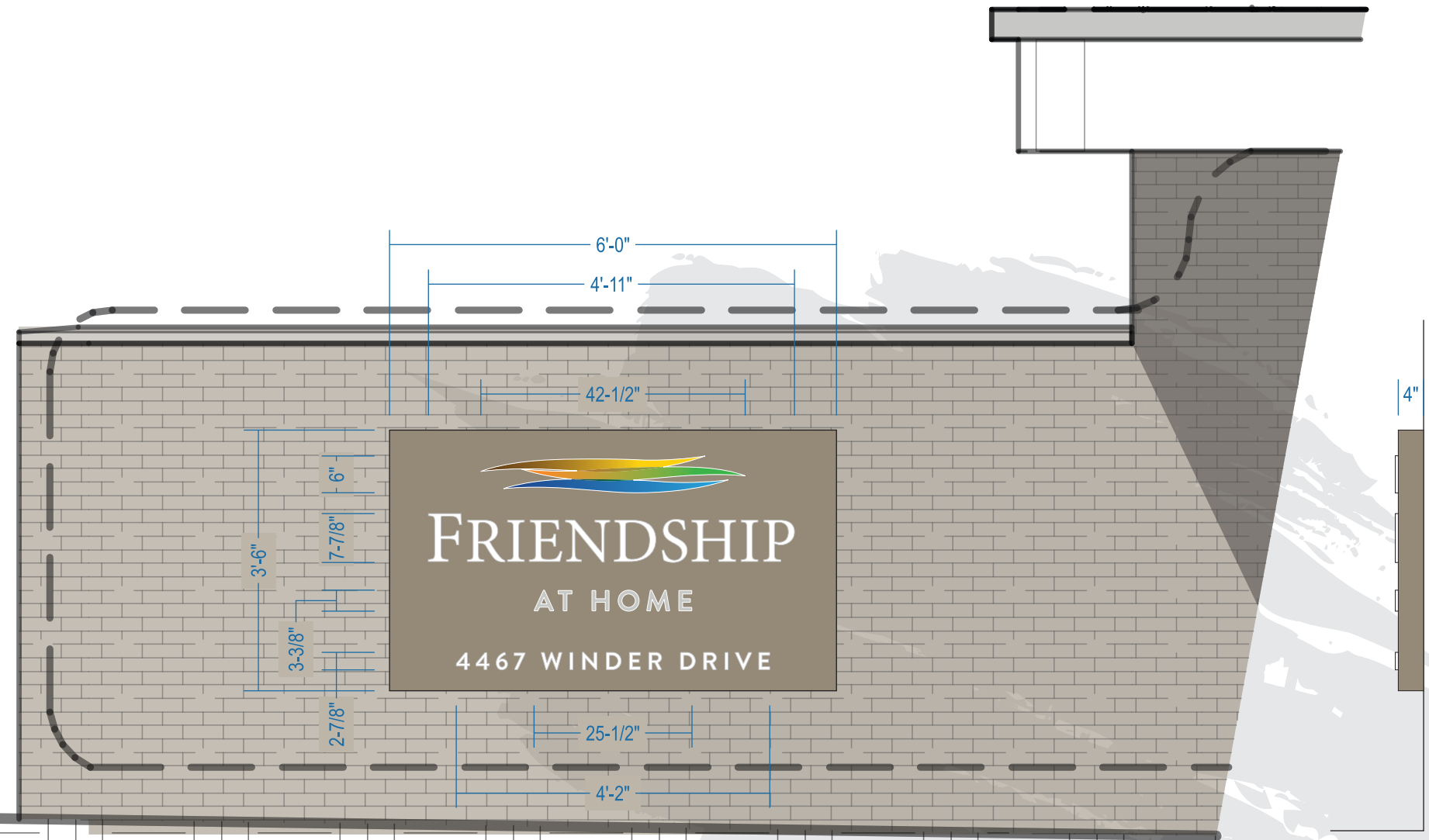


CIRCUITS   1-20AMP	5	2
VOLTAGE   120V	3	
	3	
DRAW   2AMP MAX	2	1

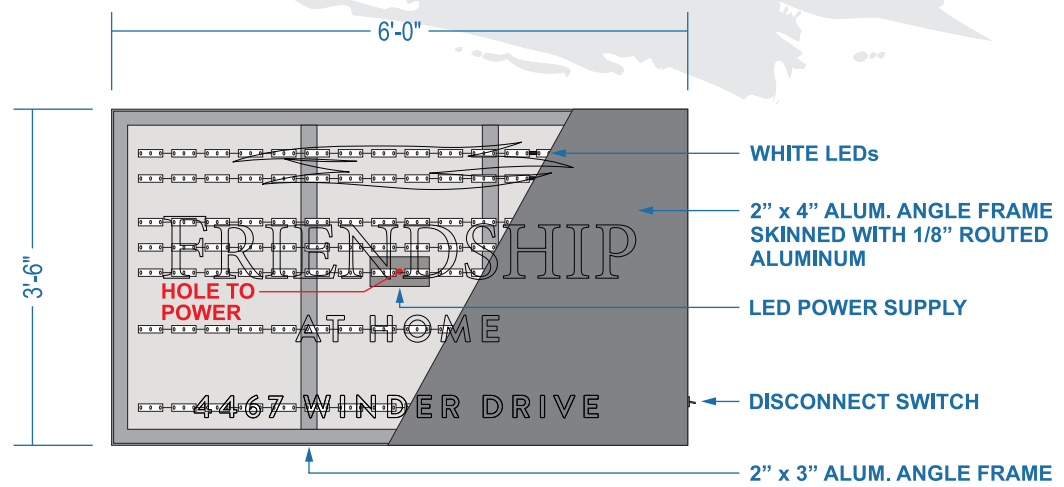
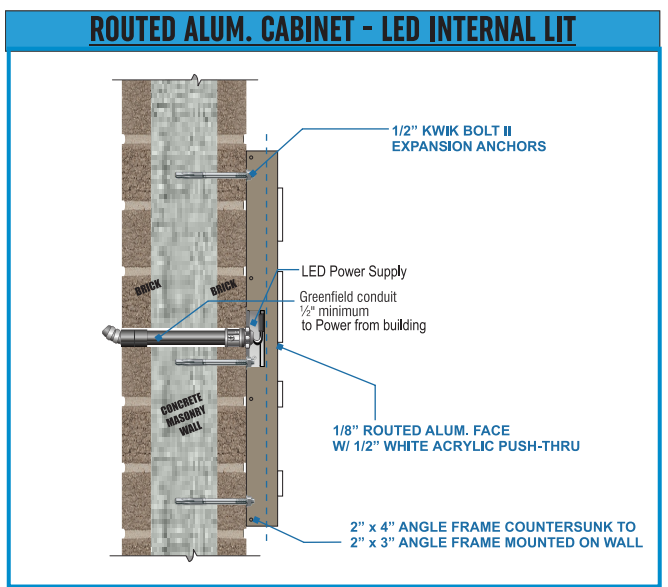
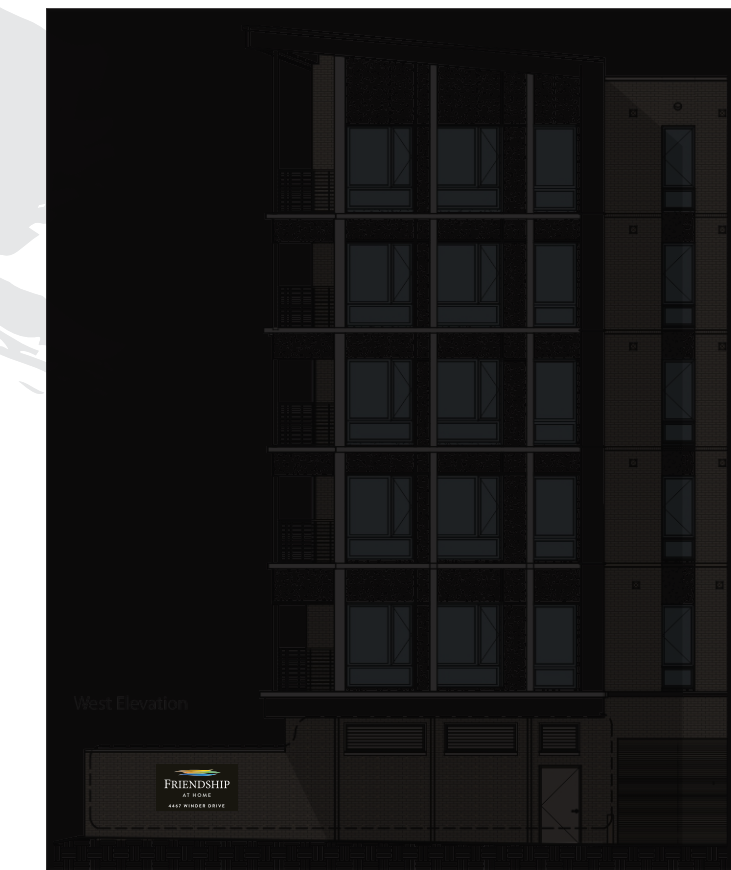
ALL CONCEPTS, DESIGNS, AND PLANS REPRESENTED BY THIS DOCUMENT ARE THE PROPERTY OF THE KESSLER DESIGN GROUP AND ARE FOR THE USE ON THE PROJECT SPECIFIED IN THIS DOCUMENT.

COPYRIGHT 2023 BY KESSLER DESIGN GROUP  
ALL RIGHTS RESERVED

2669 NATIONAL ROAD  
P.O. BOX 0785  
ZANESVILLE, OHIO 43701-0785  
740-453-0668 | 1-800-686-1870



1/2" ACRYLIC PUSH-THRU GRAPHICS W/ PRINTED VINYL GRAPHIC ON TOP PIECE



**NEW S/F LED ILLUMINATED CABINET W/ ROUTED ALUM. FACE & ACRYLIC PUSH-THRU ATTACHED TO BRICK WALL**

SCALE: 1/2" = 1'

PANTONE 428			
ORACAL TRANS. 8500-072 LIGHT GREY	DIGITAL PRINT	WHITE ACRYLIC	MATCH BRICK

CLIENT | Crawford Hoying - The Bailey

LOCATION | Dublin, OH

SAVED AS |

Crawford\_Hoying\_The\_Bailey

DATE | 8/10/23

REVISIONS | 12/22/23

SALESMAN | Adam Kessler

DESIGNER | Jared Faber

SALESMAN INITIAL OF APPROVAL |

X \_\_\_\_\_

- GLOSS     SATIN
- SEMI-GLOSS     FLAT



CIRCUITS   1-20AMP	5	2
VOLTAGE   120V	3	
DRAW   2AMP MAX	3	
	2	
	1	

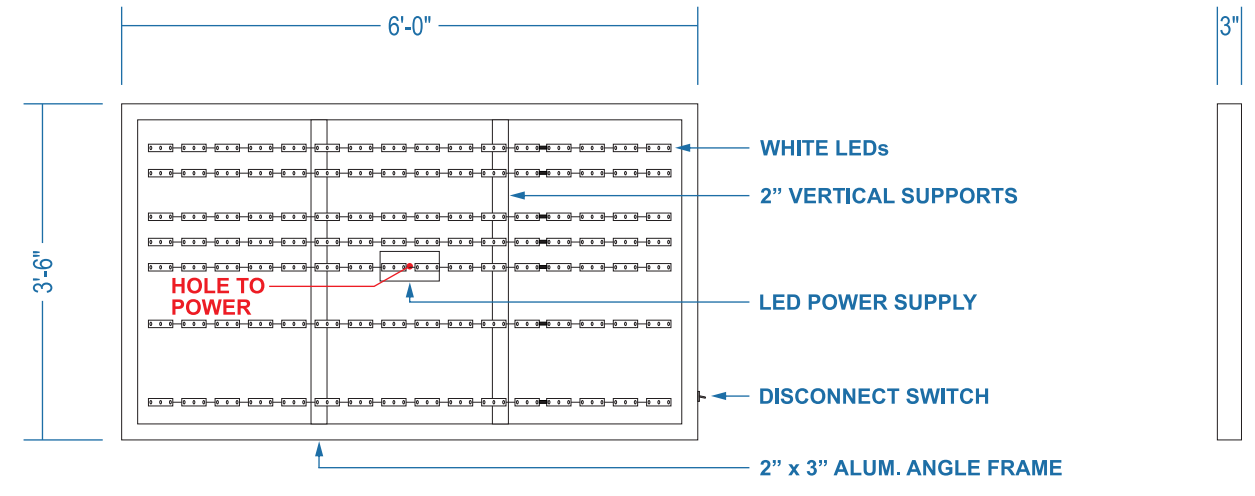
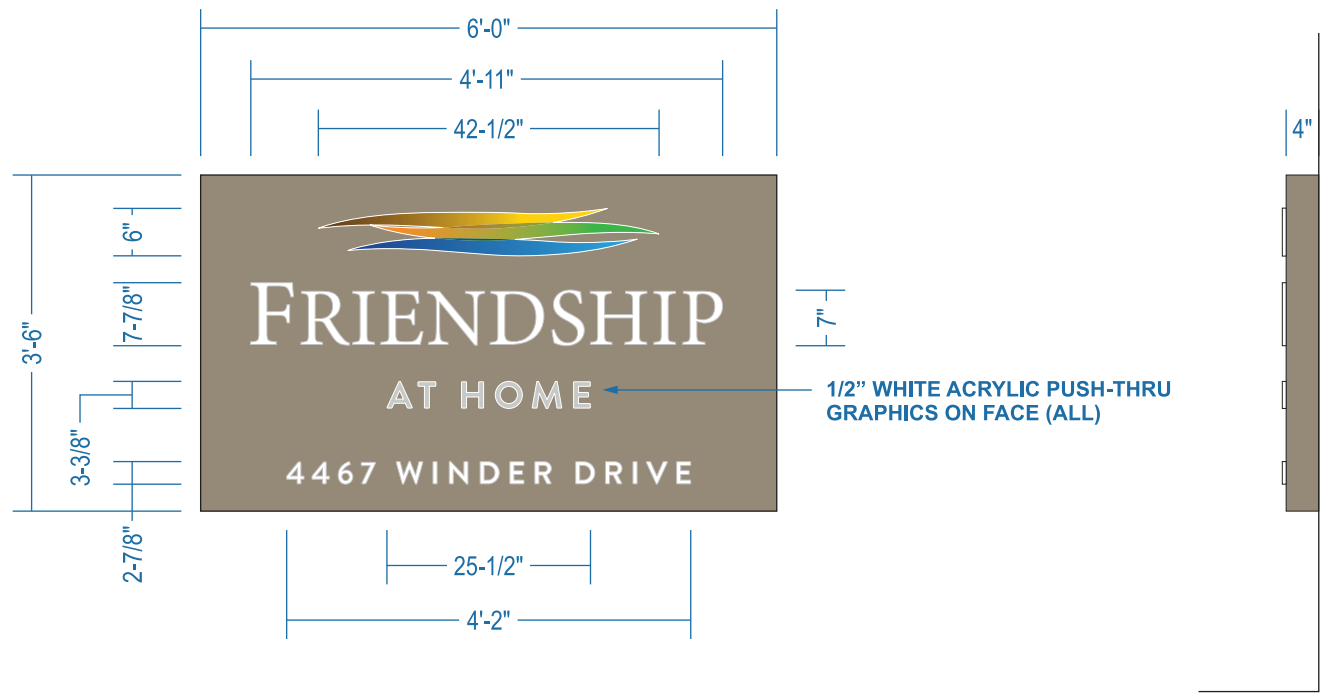
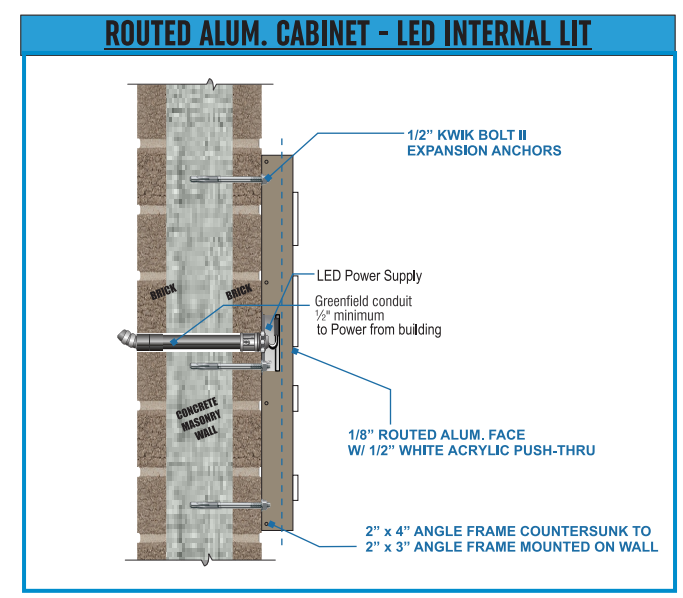
ALL CONCEPTS, DESIGNS, AND PLANS REPRESENTED BY THIS DOCUMENT ARE THE PROPERTY OF THE KESSLER DESIGN GROUP AND ARE FOR THE USE ON THE PROJECT SPECIFIED IN THIS DOCUMENT.

COPYRIGHT 2023 BY KESSLER DESIGN GROUP  
ALL RIGHTS RESERVED

**NIGHT VIEW**



PANTONE 428			
ORACAL TRANS. 8500-072 LIGHT GREY	DIGITAL PRINT	WHITE ACRYLIC	MATCH BRICK



**NEW S/F LED ILLUMINATED CABINET W/ ROUTED ALUM. FACE & ACRYLIC PUSH-THRU ATTACHED TO BRICK WALL**

SCALE: 1/2" = 1'

**SQ. FT:**  
**21**

# 4 Blade Sign

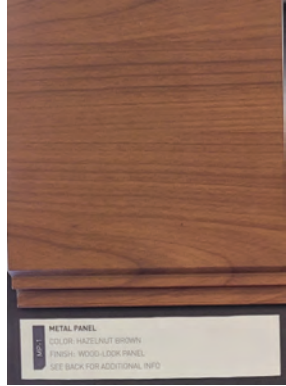


North Elevation

## Blade Sign Notes

MTL-4 Finish to Match Exterior MP-1 Finish

**MP-1 - Metal Panel**  
Manufacturer: Alumaboard  
Style: 6" Plank  
Color: Hazelnut Brown  
Format: Metal Cladding  
\* Refer to item 1 on page A011 of Design Submission.



CLIENT | Crawford Hoying - The Bailey

LOCATION | Dublin, OH

SAVED AS |  
**Crawford\_Hoying\_The\_Bailey**

DATE | 8/10/23

REVISIONS | 11/27/23

SALESMAN | Adam Kessler

DESIGNER | Jared Faber

SALESMAN INITIAL OF APPROVAL |

X \_\_\_\_\_

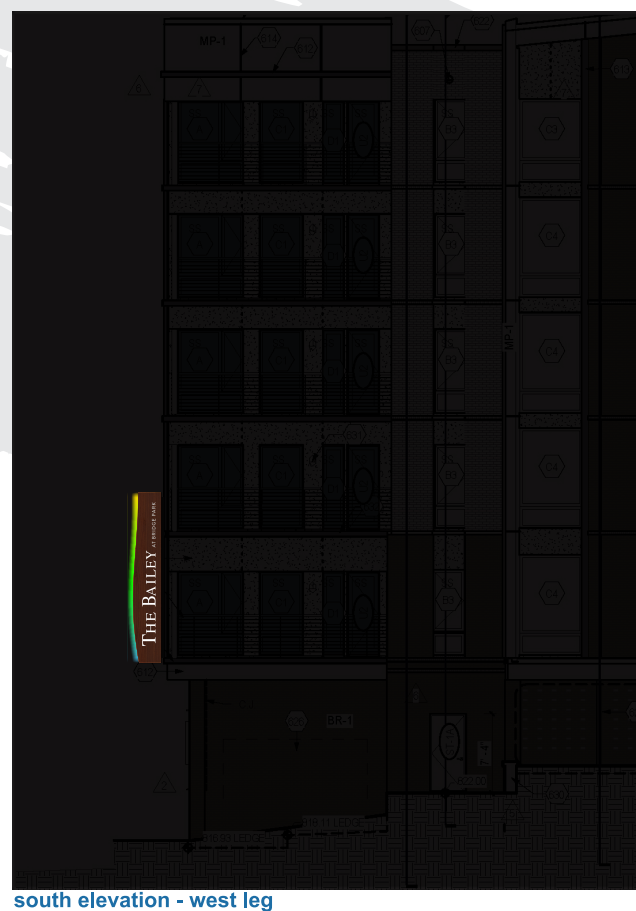
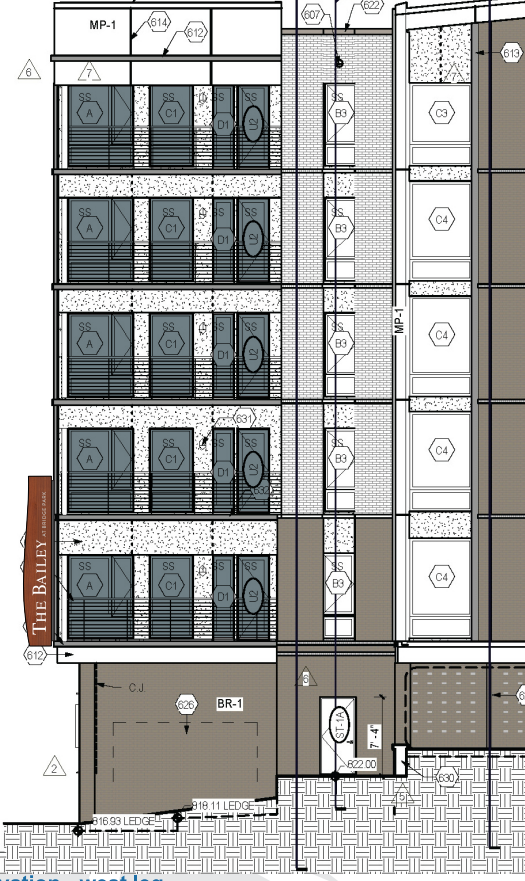
<input type="checkbox"/> GLOSS	<input type="checkbox"/> SATIN
<input type="checkbox"/> SEMI-GLOSS	<input type="checkbox"/> FLAT



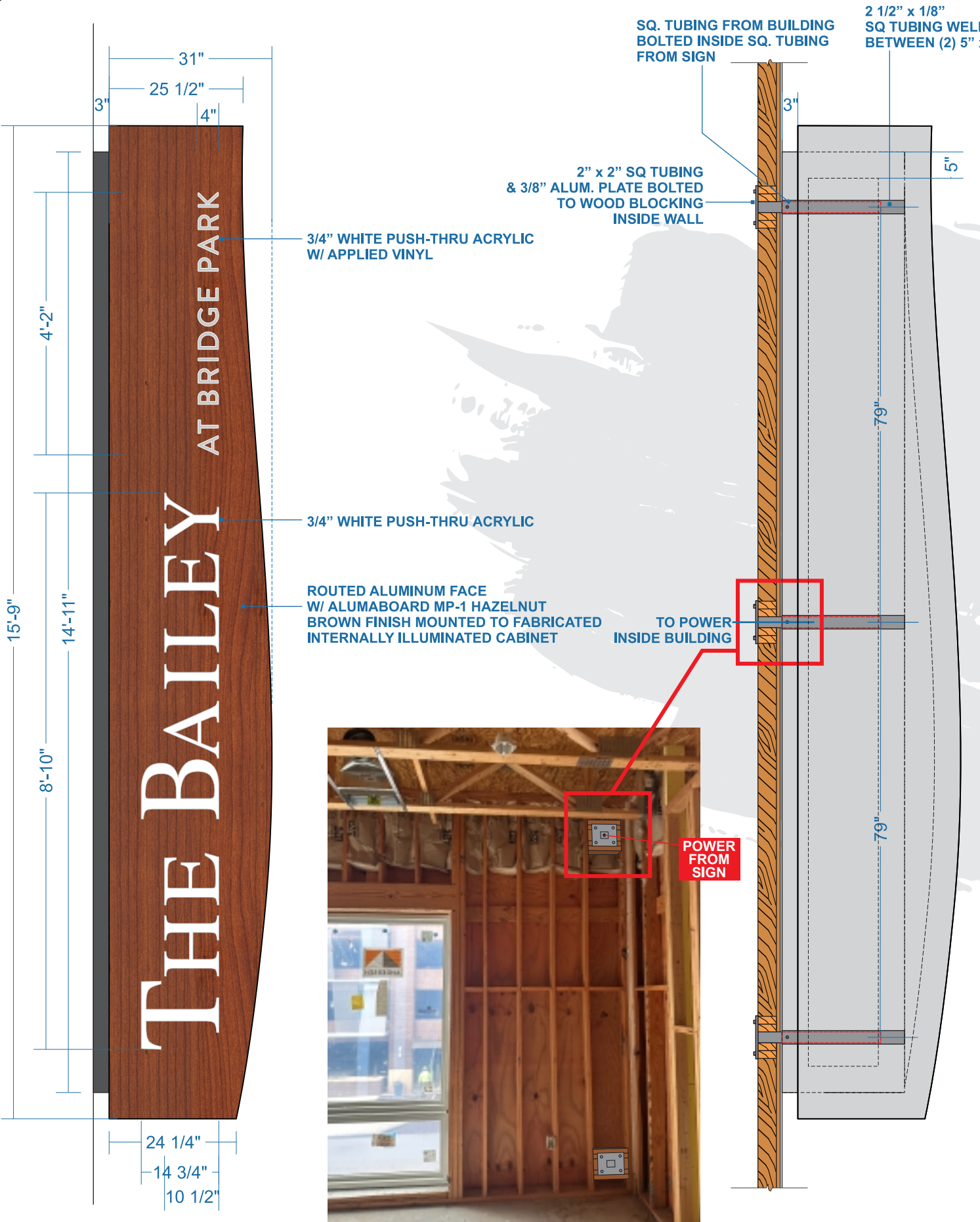
CIRCUITS   1-20AMP	5
VOLTAGE   120V	3
DRAW   5AMP MAX	2
	1

ALL CONCEPTS, DESIGNS, AND PLANS REPRESENTED BY THIS DOCUMENT ARE THE PROPERTY OF THE **KESSLER DESIGN GROUP** AND ARE FOR THE USE ON THE PROJECT SPECIFIED IN THIS DOCUMENT.

COPYRIGHT 2023 BY **KESSLER DESIGN GROUP**  
ALL RIGHTS RESERVED



south elevation - west leg

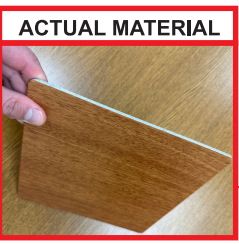


POWER FROM SIGN

**NEW D/F LED ILLUMINATED BLADE SIGN W/ PUSH-THRU ACRYLIC LETTERING & LED LIGHTING**

SCALE: 1/2" = 1'

<b>PANTONE 445</b>	<b>DIGITAL PRINT</b>	<b>PANTONE 428</b>	<b>ALUMA BOARD MP-1</b>	<b>WHITE ACRYLIC</b>
		<b>ORACAL TRANS. 8500-072 LIGHT GREY</b>	<b>MATCH HAZELNUT BROWN</b>	



ACTUAL MATERIAL

PRINTED TRANS. VINYL TO COVER LED VISIBILITY

(YELLOW/GREEN/BLUE) LED LIGHTING IN CENTER CABINET (LEDs HIDDEN)

CLIENT | Crawford Hoying - The Bailey

LOCATION | Dublin, OH

SAVED AS |  
**Crawford\_Hoying\_The\_Bailey**

DATE | 8/10/23

REVISIONS | 11/27/23

SALESMAN | Adam Kessler

DESIGNER | Jared Faber

SALESMAN INITIAL OF APPROVAL |

X \_\_\_\_\_

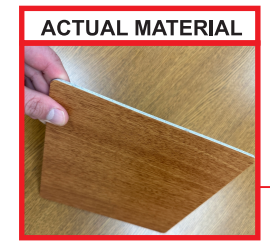
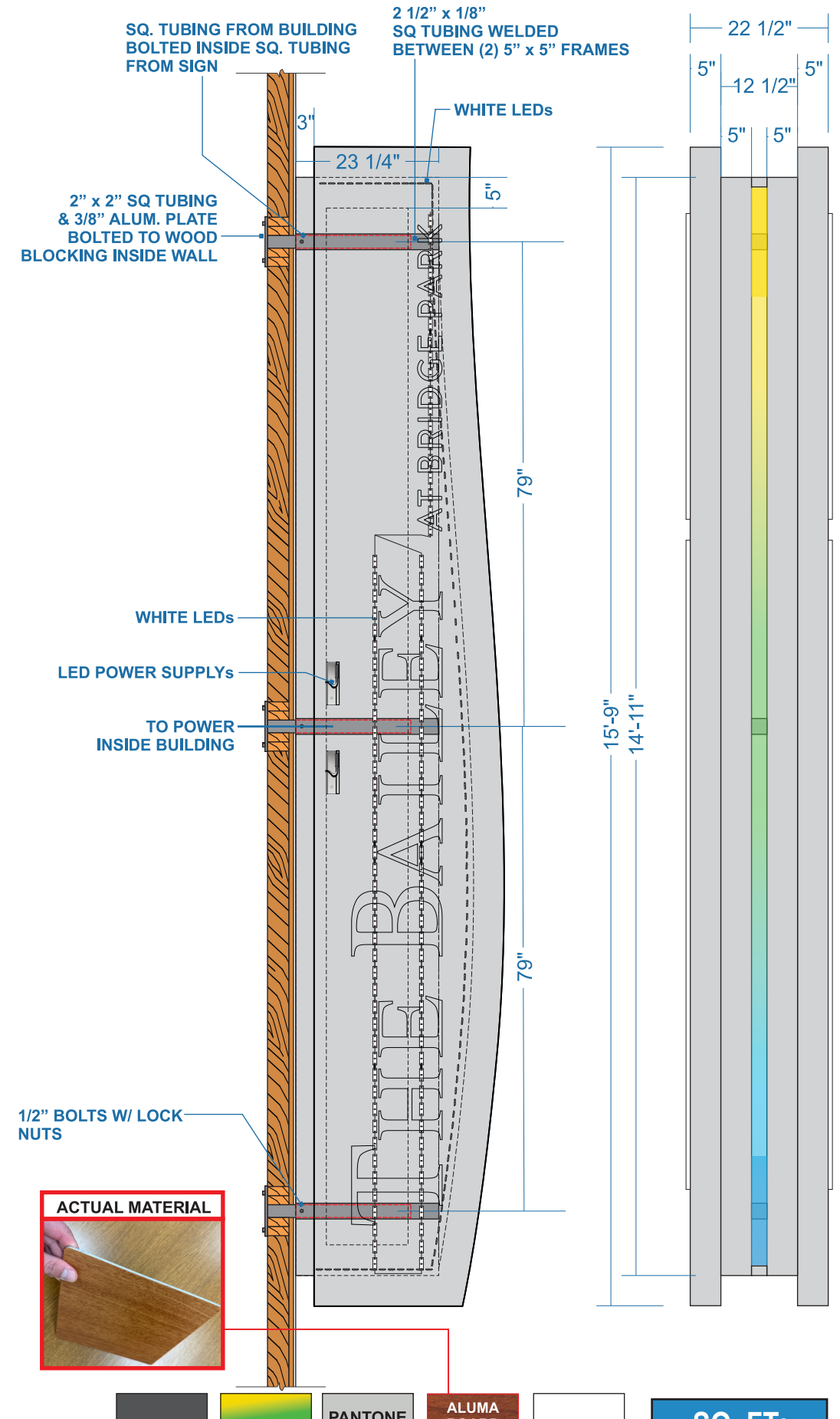
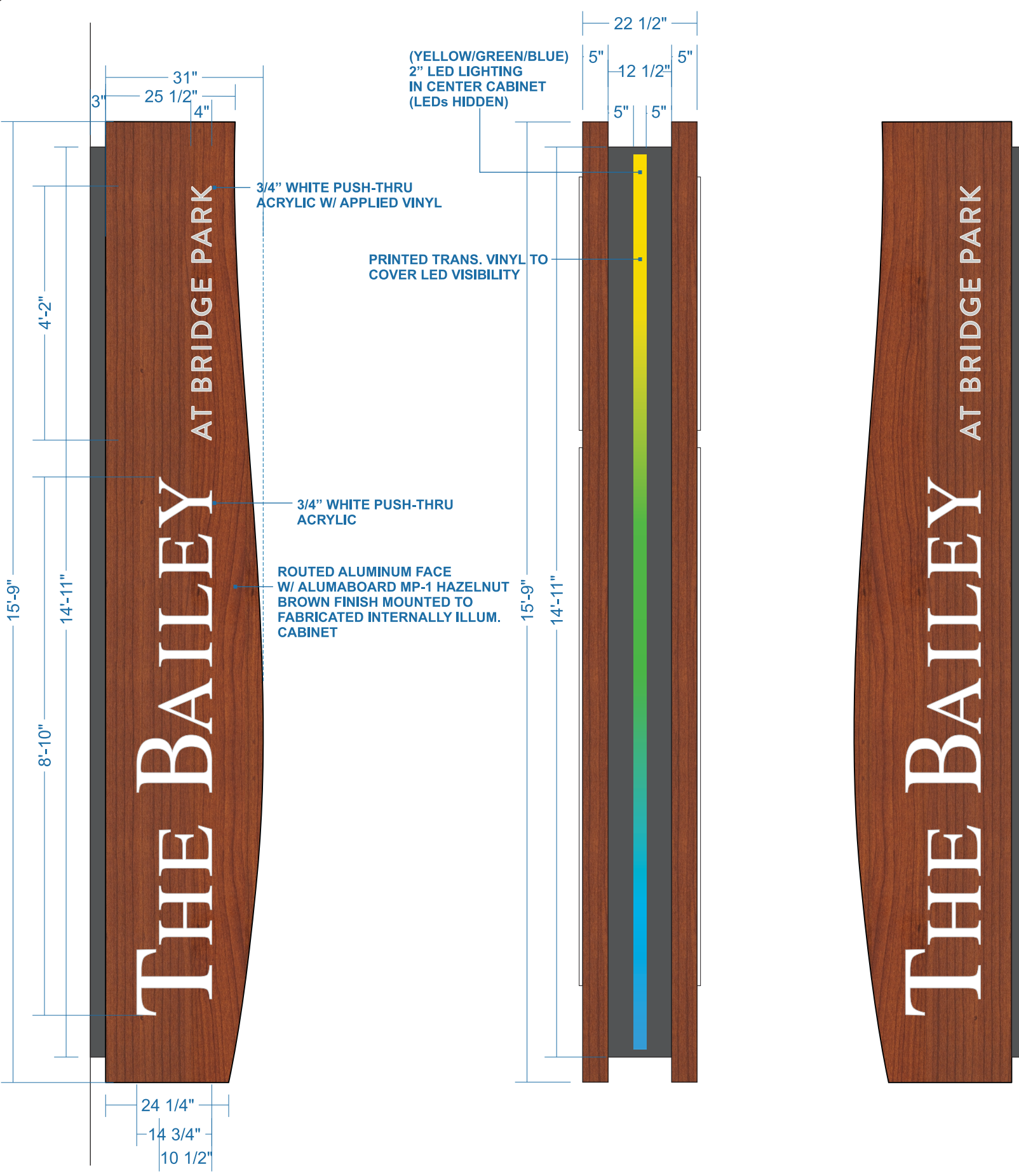
- GLOSS
- SATIN
- SEMI-GLOSS
- FLAT



CIRCUITS   1-20AMP	5
VOLTAGE   120V	3
DRAW   5AMP MAX	2
	1

ALL CONCEPTS, DESIGNS, AND PLANS REPRESENTED BY THIS DOCUMENT ARE THE PROPERTY OF THE KESSLER DESIGN GROUP AND ARE FOR THE USE ON THE PROJECT SPECIFIED IN THIS DOCUMENT.

COPYRIGHT 2023 BY KESSLER DESIGN GROUP  
ALL RIGHTS RESERVED



PANTONE 445	DIGITAL PRINT	PANTONE 428	ALUMA BOARD MP-1	WHITE ACRYLIC	<b>SQ. FT: 41</b>
		ORACAL TRANS. 8500-072 LIGHT GREY	MATCH HAZELNUT BROWN		

**NEW D/F LED ILLUMINATED BLADE SIGN W/ PUSH-THRU ACRYLIC LETTERING & LED LIGHTING**

SCALE: 1/2" = 1'

CLIENT | Crawford Hoying - The Bailey

LOCATION | Dublin, OH

SAVED AS |

Crawford\_Hoying\_The\_Bailey

DATE | 8/10/23

REVISIONS | 11/27/23

SALESMAN | Adam Kessler

DESIGNER | Jared Faber

SALESMAN INITIAL OF APPROVAL |

X \_\_\_\_\_

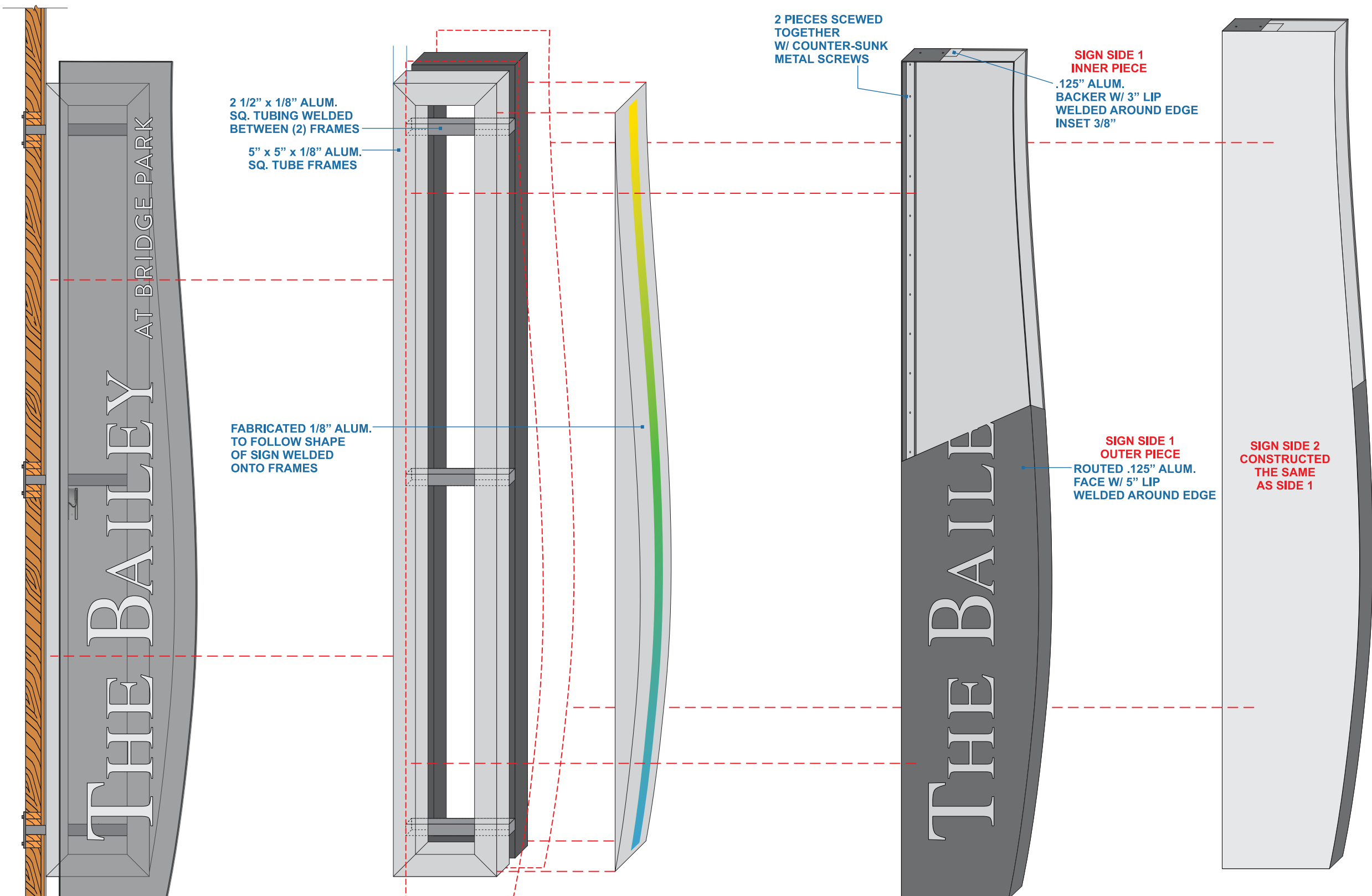
- |                                     |                                |
|-------------------------------------|--------------------------------|
| <input type="checkbox"/> GLOSS      | <input type="checkbox"/> SATIN |
| <input type="checkbox"/> SEMI-GLOSS | <input type="checkbox"/> FLAT  |



CIRCUITS   1-20AMP	5
VOLTAGE   120V	3
DRAW   5AMP MAX	3
	2
	1

ALL CONCEPTS, DESIGNS, AND PLANS REPRESENTED BY THIS DOCUMENT ARE THE PROPERTY OF THE KESSLER DESIGN GROUP AND ARE FOR THE USE ON THE PROJECT SPECIFIED IN THIS DOCUMENT.

COPYRIGHT 2023 BY KESSLER DESIGN GROUP  
ALL RIGHTS RESERVED



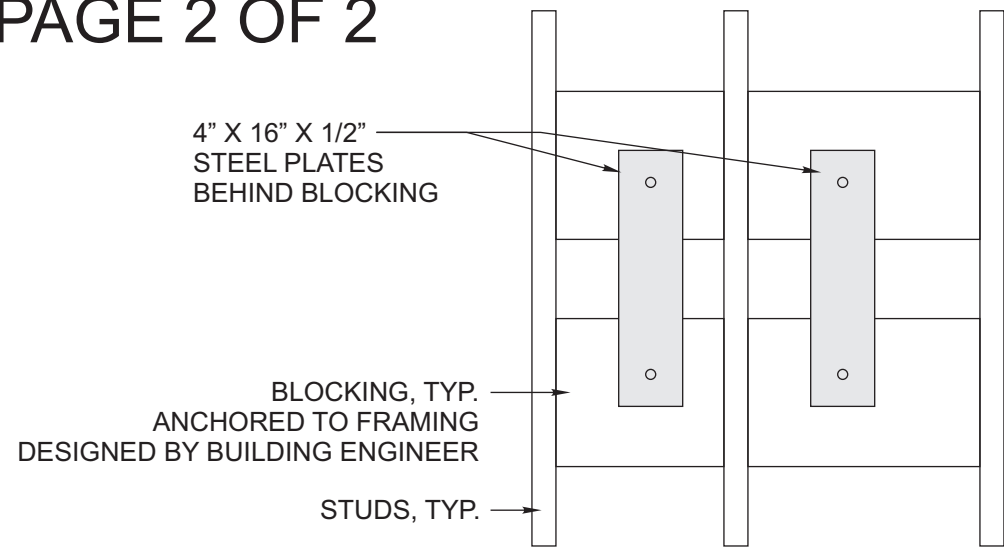
**NEW D/F LED ILLUMINATED BLADE SIGN W/ PUSH-THRU ACRYLIC LETTERING & LED LIGHTING**

SCALE: 1/2" = 1'

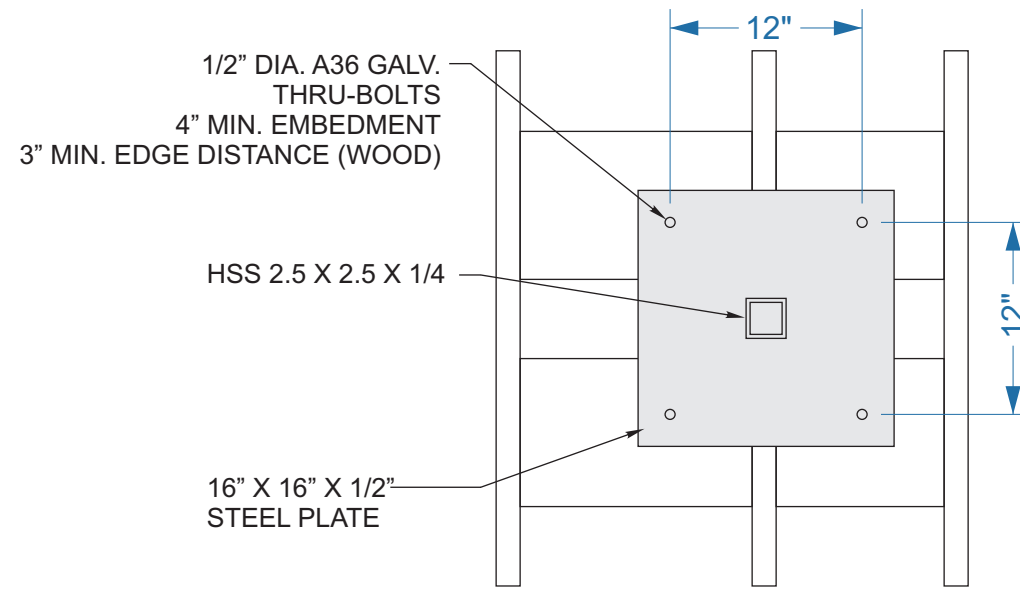
**SQ. FT:**  
**41**



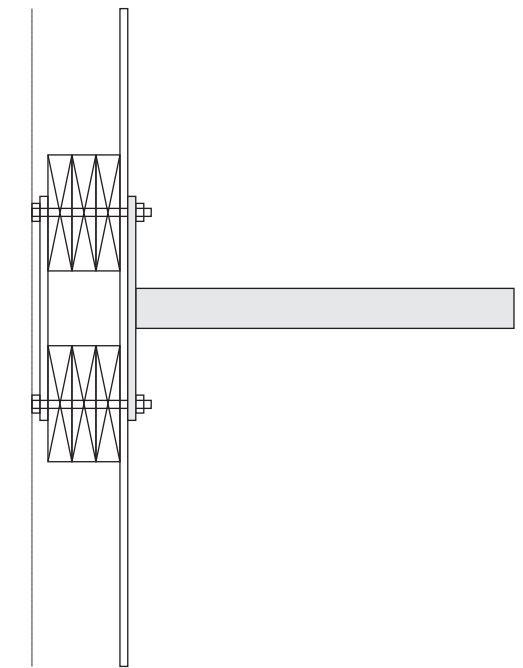
THE BAILEY - DUBLIN, OH  
PRELIMINARY  
PAGE 2 OF 2



BACK OF WALL



OUTSIDE OF WALL



SECTION

