

Garage Bi-Fold Doors

Tungsten Royce
Custom Wood Doors

Thermally-Modified White Ash
Vertical Siding to Match Addition



Garage Door

Search



SHADES OF LIGHT

Account My List (0) Cart (0)

Chandeliers & Pendants | Bath & Wall Lights | Ceiling Lights | Fans | Outdoor Lights | Lamps & Shades | Mirrors & Home Decor | Furniture | Rugs | New & Inspiring

Home » Outdoor Lights » All Outdoor Lights » Vintage Suspended Pane Outdoor Sconce - Large

Share: f X p



Vintage Suspended Pane Outdoor Sconce - Large

SKU: OL18050 BZ

\$409.00

Color: Oil Rubbed Bronze / Clear Glass



Actual Size: 25"Hx7.5"Wx9.3"D

In stock and ready to ship

Qty 1

Add to Cart

+ Add to My List

+ Add to Gift Registry

Exterior Light Fixtures

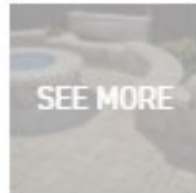
RICHARDTAYLOR ARCHITECTS

Remodeling and Additions 27 North Riverview Street Dublin, Ohio

BELGARD® | PAVES THE WAY™

**Front Walk and
Covered Patio Pavers**

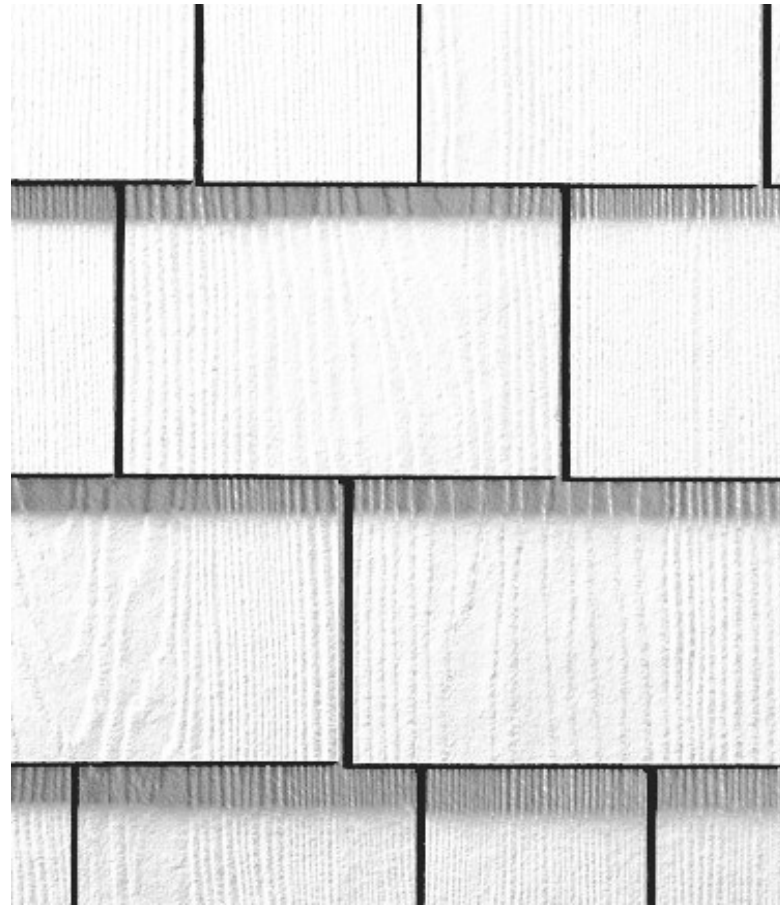
Color: Pewter



Front Walk and Covered Patio Pavers

Existing House Siding

Hardie-Shake
Straight-Edge Shakes

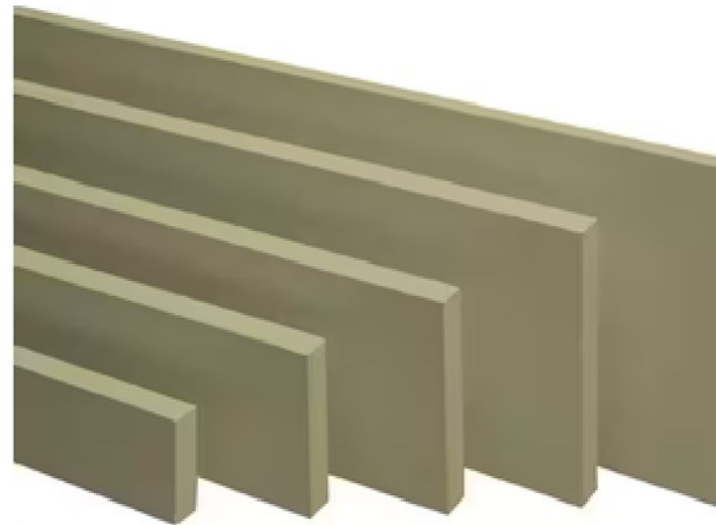


SW 7017

Dorian Gray

New and Existing House Trim

LP Smartside Smooth-Texture
5/4 Trim



SW 7020

Black Fox

Existing House Siding and New Addition and Existing House Trim

Curb-Mounted Skylights

Size Chart and Codes

Venting Skylights

Model Size	2222	2234	2246	3030	3046	3434	4622	4646
Outside Curb (W"xH")	25 1/2 x 25 1/2	25 1/2 x 37 1/2	25 1/2 x 49 1/2	33 1/2 x 33 1/2	33 1/2 x 49 1/2	37 1/2 x 37 1/2	49 1/2 x 25 1/2	49 1/2 x 49 1/2
Maximum Skylight Clearance (W"xH")	26 7/16 x 26 7/16	26 7/16 x 38 7/16	26 7/16 x 50 7/16	34 7/16 x 34 7/16	34 7/16 x 50 7/16	38 7/16 x 38 7/16	50 7/16 x 26 7/16	50 7/16 x 50 7/16
Daylight Square Feet	2.58	4.20	5.92	5.27	8.29	6.89	5.92	13.13
Fits On Center	24"	24"	24"	24"	24"	16"	16" or 24"	16" or 24"

¹ Only available in VCS.

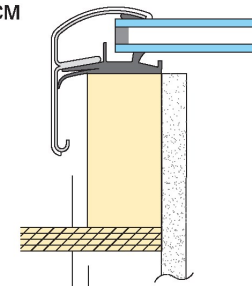
Fixed Skylights

Custom FCM sizes available. Call for more information.

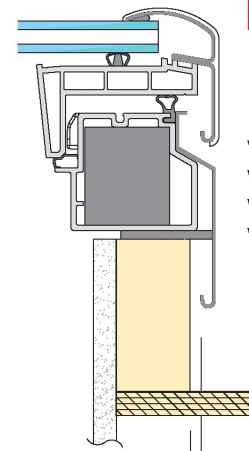
Model Size	1430	1446	2222	2230	2234	2246	2270	3030	3046	3055	3434	3446	4646	4672
Outside Curb (W"xH")	17 1/2 x 33 1/2	17 1/2 x 49 1/2	25 1/2 x 25 1/2	25 1/2 x 33 1/2	25 1/2 x 37 1/2	25 1/2 x 49 1/2	25 1/2 x 73 1/2	33 1/2 x 33 1/2	33 1/2 x 49 1/2	33 1/2 x 58 1/2	37 1/2 x 37 1/2	37 1/2 x 49 1/2	49 1/2 x 49 1/2	49 1/2 x 75 1/2
Maximum Skylight Clearance (W"xH")	18 3/8 x 34 3/8	18 3/8 x 50 3/8	26 3/8 x 26 3/8	26 3/8 x 34 3/8	26 3/8 x 38 3/8	26 3/8 x 50 3/8	26 3/8 x 74 3/8	34 3/8 x 34 3/8	34 3/8 x 50 3/8	34 3/8 x 59 3/8	38 3/8 x 38 3/8	38 3/8 x 50 3/8	50 3/8 x 50 3/8	50 3/8 x 76 3/8
Daylight Square Feet	3.07	4.68	3.52	4.77	5.39	7.27	11.01	6.46	9.85	11.76	8.27	11.14	15.02	23.35
Fits On Center	16"	16"	24"	24"	24"	24"	24"	24"	24"	24"	16"	16"	16" or 24"	16" or 24"



Fixed:
FCM



Venting:
VCM
VCE
VCS



Outside Curb

Max Skylight Clearance

- FCM - Fixed skylight
- VCM - Manual venting skylight
- VCE - Electric venting skylight
- VCS - Solar Powered "Fresh Air" skylight

VCM 1446 2 0 04

Model
FCM
VCM
VCE
VCS

Sizes
1430"
1446"
2222
2230
2234
2246
2270"
3030
3046
3050"
3434
3446"
4622**
4646
4672"

*FCM only sizes
**VCS only

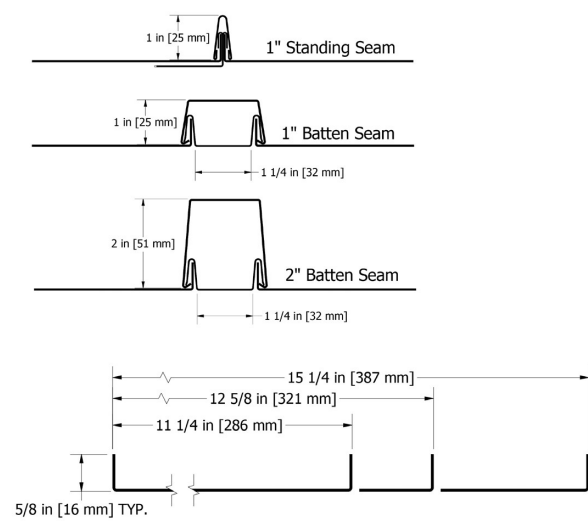
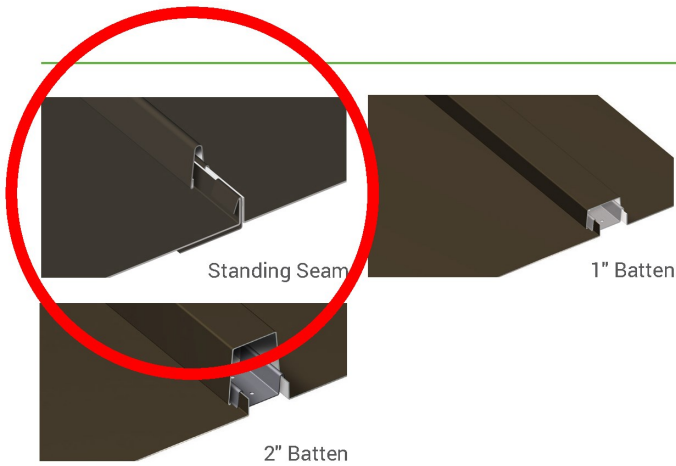
Interior finish
0 None (FCM)
2 White
9 Special

Cladding
0 Aluminum
9 Special

Glazings
04 Clean, Quiet & Safe glass
05 Low E³/Temp*
06 Impact
08 White lami
14 LoE³-340 Lami**
15 LoE³-340**
16 LoE³-340 Hurricane**
29 Triple Pane**
99 Special

*FCM and VCM only
**FCM only

Velux Skylights



PC™ SYSTEM

SKU: Panel: PCP110, PCP120, PCP150, PCP999
 Seam: PCS114
 Batten: PCB001, PCB002
 Copper: PCP147

MATERIAL

.032, .040 aluminum
 24, 22* ga. metallic coated steel
 24 ga. 55% Al-Zn alloy coated steel with acrylic coating
 16 oz. copper* (PCP147 only)

PANEL SPECS

Coverage: 11 1/4", 12 5/8", 14 5/8"**, 15 1/4"
 Custom widths available*
 **Copper and Dark Bronze Anodized only
 Minimum Length: 2'-0" for straight, 3'-0" for curved
 Standing Seam: 1"
 Batten Seam: 1" x 1 1/2" or 2" x 1 1/2"

AVAILABLE

Straight, Tapered, Stretch Curved* (Convex and Concave)
 *Available in standing seam only

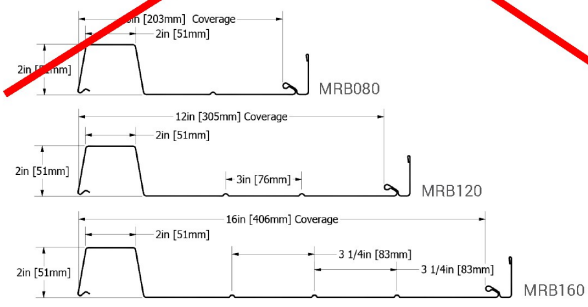
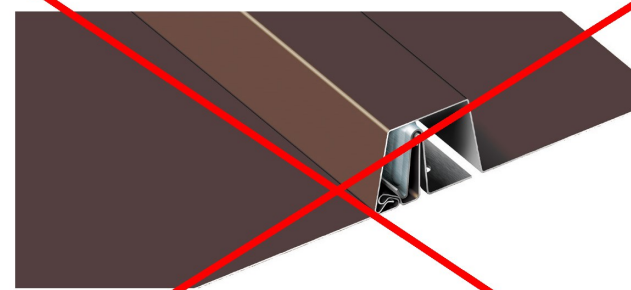
TEXTURE

Smooth or Stucco Embossed

MINIMUM SLOPE

3:12

www.atas.com/pc



MONARCH™ BATTEN SEAM

SKU: MRB080, MRB120, MRB160

MATERIAL

.032, .040, .050* aluminum
 24, 22* ga. metallic coated steel
 24 ga. 55% Al-Zn alloy coated steel with acrylic coating*
 16, 20 oz. copper*

PANEL SPECS

Coverage: 8", 12", 16"
 (stiffening ribs standard, specify without)
 Minimum Length: 4'-0"
 Seam Height: 2"

TEXTURE

Smooth or Stucco Embossed

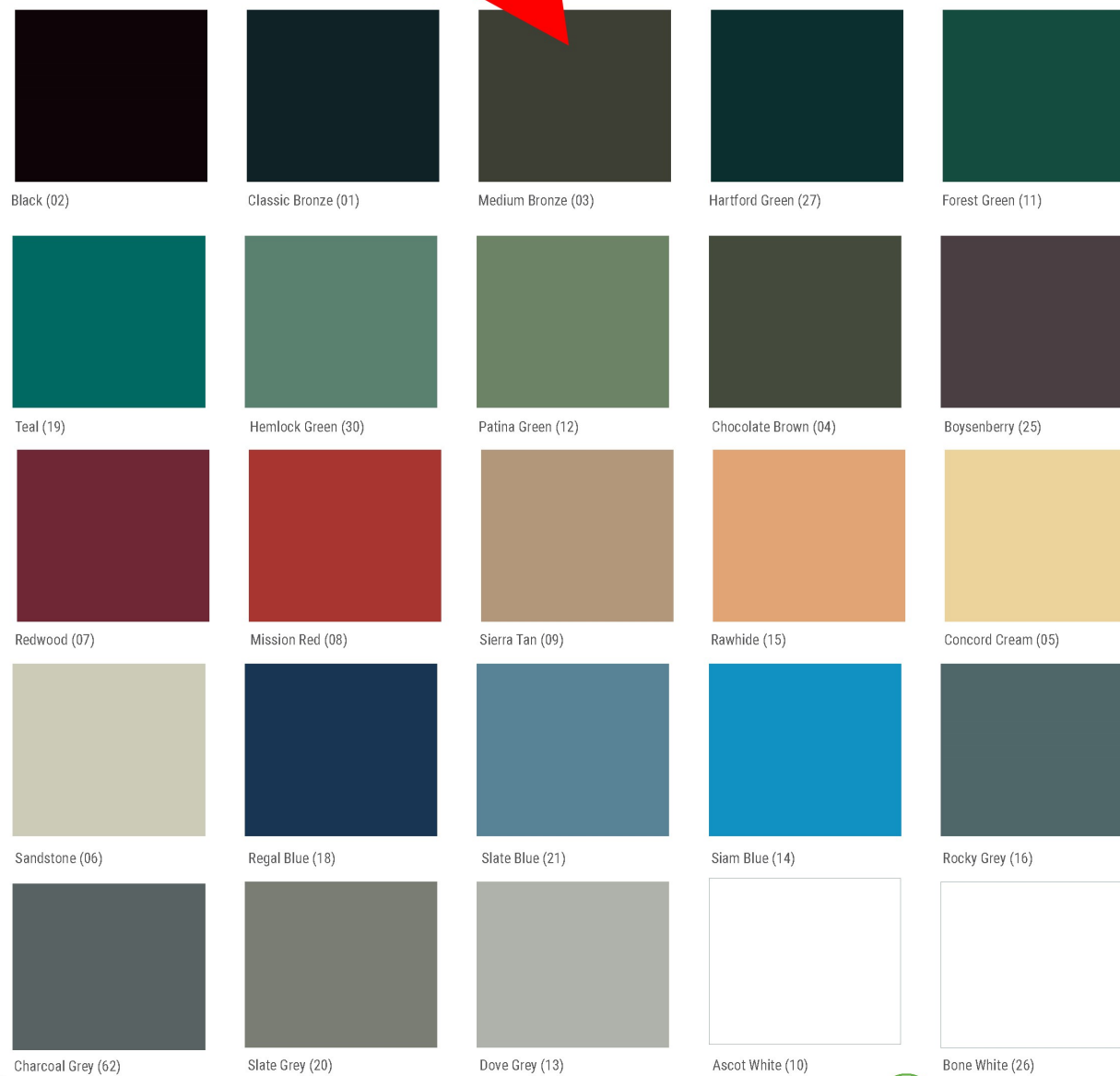
MINIMUM SLOPE

2:12

www.atas.com/monarch

STOCK COLORS

70% PVDF resin based coatings provide high-performance durability for exterior and interior applications. These coatings are designed to resist fading, chalking, and abrasion. Meets the requirement of AAMA 2605-13 for aluminum substrates.



2 | www.atas.com

www.atas.com/colors

Benchmark Ash
Cladding 1x4 T/G (JEM)



USE: Exterior, Interior	APPLICATION: Cladding
MODIFICATION STRENGTH: Intense	FINISH: Unoleed
TEXTURE: Smooth	COLOR: Brown
BRAND: Benchmark Ash	SPECIES: White Ash
PROFILE: T&G	COVERAGE: 35 ln
WIDTH: 3.7 ln	THICKNESS: .79 ln
INSTALLATION TYPE: Visible	INSTALLATION METHOD: Screw

REQUEST A CONSULTATION



DESCRIPTION

Colonial Tan™ LedgeStone Thin Veneer is a natural stone that consists of radiant browns, beiges, tans, and light grays accentuated by gold and silver specks. These earthy tan colors give your project a fresh, unmistakable look. The LedgeStone pattern of stone veneer consists of thin strips of natural stone. Sold as individual stones not stone panels.

DIMENSIONS

Height: 1-4 inches
Length: 4-12 inches
Thickness: 1 inch +/- ¼ inch
Weight: Less than 14 lbs per SF

PACKAGING

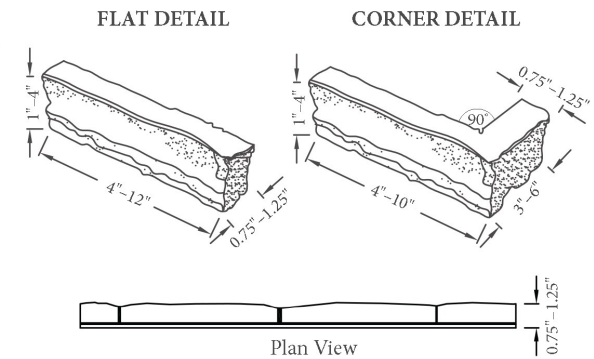
Flat Crate: 168 SF (SKU# VTLCFW)
Flat Box: 5 SF (SKU# VTLCFS)
Corner Crate: 150 LF (SKU# VTLCCW)
Corner ½ Crate: 75 LF (SKU# VTLCCCH)
Corner Box: 5 LF (SKU# VTLCCS)

PROFILE

Colors: Brown, beige, tan, gold, light gray
Finish: Split, textured face

APPLICATIONS

This product is HCA (Harsh Climate Approved). It has been subjected to numerous freeze-thaw cycles and can withstand the harshest hot, cold, or wet climates. Perfect for interior and exterior use in all regions including applications below grade. Suitable for use near salt water, water features, and in areas where blowing sand is a concern. www.stoneyard.com/hca



INSTALLATION

Thin Veneer installation information is available on our website www.stoneyard.com/install. A mock-up is recommended to help in all design decisions including grout color, joint size (dry-laid, standard, or wide), and desired finish. www.stoneyard.com/mortar

LEED® CERTIFICATION & ENERGY EFFICIENCY

Whether it's for a commercial building or historical restoration, this natural building material can assist with the LEED certification. Functionally, stone will retain heat in the winter and cold in the summer, enhancing energy efficiency. www.stoneyard.com/architect

CORNERS

Matching 90° corners are available in all colors and shapes. When other angles are needed, the installation options are weaving (alternating flats) or miter cutting flat pieces to wrap the corner. www.stoneyard.com/corner

Natural stone varies in color, veining, and pattern from piece to piece. STONEYARD® is not responsible for photos used in color literature, on websites, or in emails to accurately reflect actual material. Photos are used to create a general idea or feel for the material and cannot be used for color matching.

WWW.STONEYARD.COM/CTL

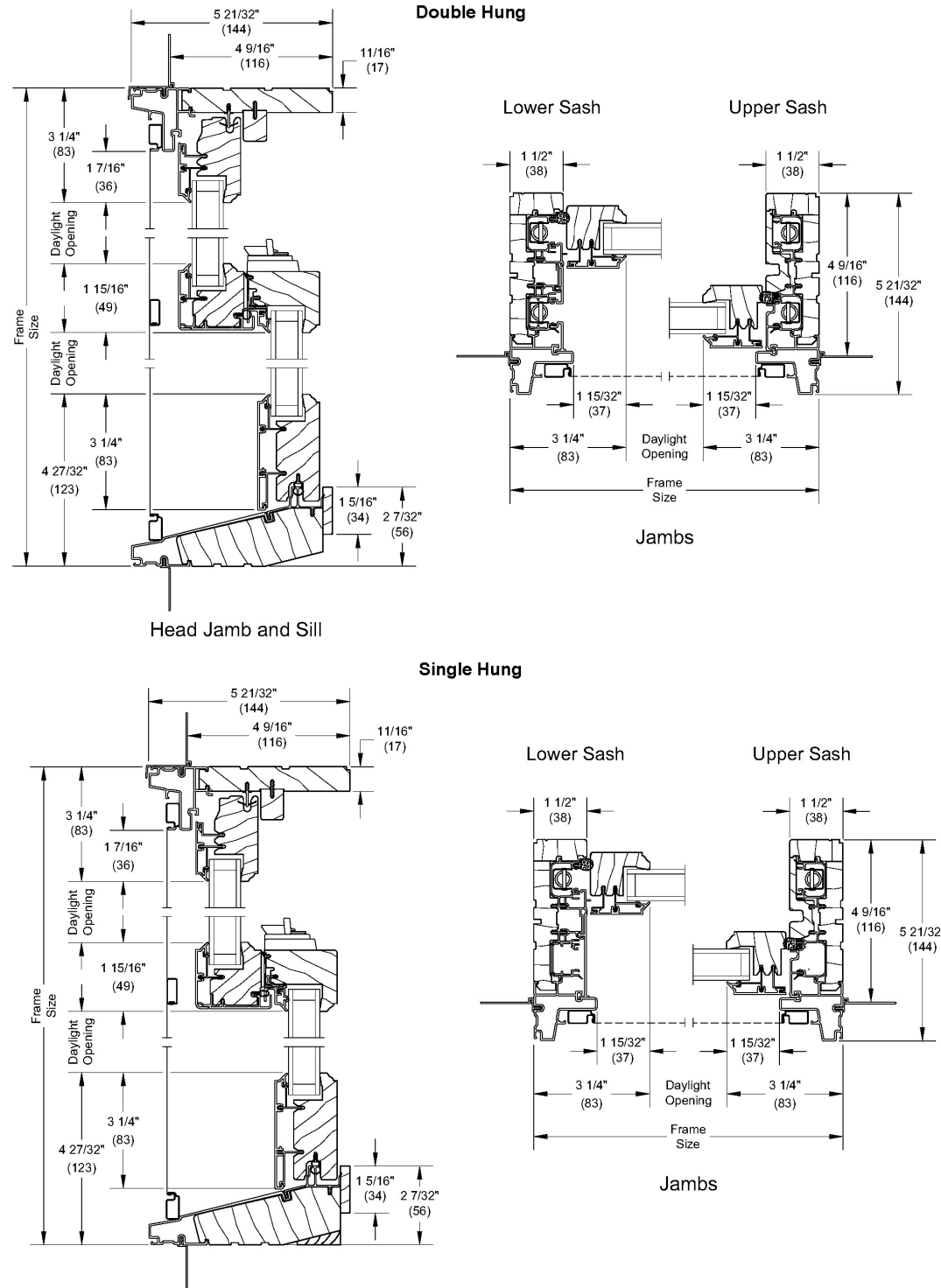
Vertical Siding and Manufactured Stone Veneer

Remodeling and Additions
27 North Riverview Street Dublin, Ohio

RICHARD TAYLOR
ARCHITECTS

Section Details: Operating

Scale: 3" = 1' 0"

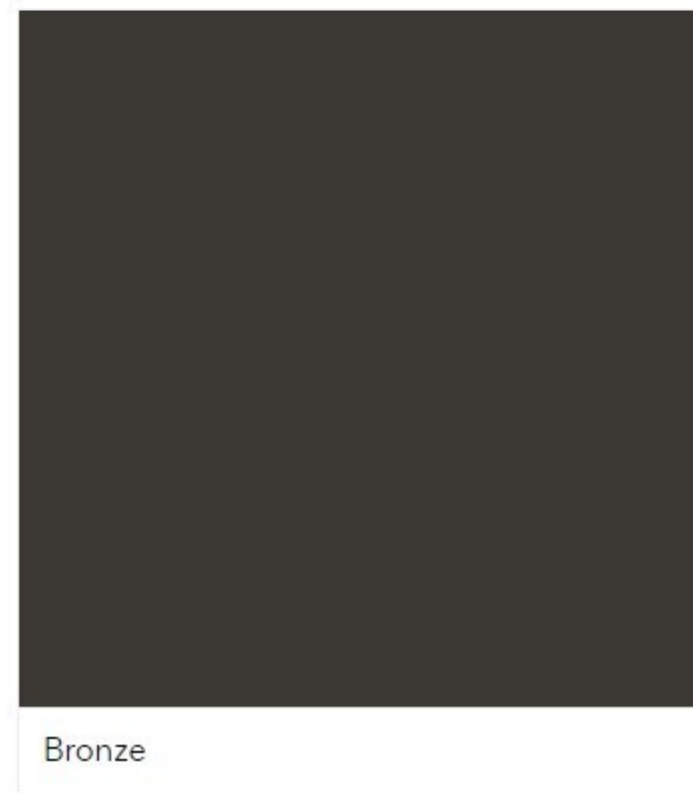


MARVIN SIGNATURE[®] ULTIMATE

Clad Color Options

Our low maintenance clad-wood products feature an extruded aluminum exterior finish paint. Because our finish meets the toughest American Architectural Manufacturers Assc richest and boldest hues to resist fading and chalking even in harsh sun or extreme wear muted, earthy tones to bold, rich colors and three pearlescent finishes. Custom color ma

The American Architectural Manufacturers Association (AAMA) awards certifications to simulate the harsh conditions that a finish will encounter throughout the life of the window. AAMA verification provides independent verification that our finishes are best-in-class.



Selected: Bronze

