



STOCK # N346-207

# TruClose Spring Hinge

3-9/16" x 5-1/4", Black, Visual Pack



INDOOR USE



LIMITED LIFESPAN™ WARRANTY

[BUY ONLINE](#)

[Find in Store](#) [+](#)

## Product Description

Ultra-strong polymers & stainless steel components that never rust, bind, or stain!

For best results install on wood or vinyl gates with all other hinges and closers removed.

Includes 2 TruClose™ self closing spring hinges.

2-pack hinges have a Safe Working Load (SWL) of up to 55lbs.

National Hardware's Lifespan™ Limited Lifetime Warranty



## Specifications

STOCK #	N346-207
EACH UPC	886780019087
INNER UPC	10886780019084
MASTER UPC	40886780019085
EACH QUANTITY	2
PACKAGING	Visual Pack
TRADEMARKS	TruClose®
PARTNERSHIPS	D & D Technologies
SELF CLOSING	Yes
SAFE WORKING LOAD	55 lb per pair



## Featured Inspiration, Tips and How-tos

[See All](#) 



[DIY Cozy Reading Nook](#)



[DIY Floral Chandelier: Create Your Very Own Floral Chandelier](#)



[DIY Hanging Plants](#)



1/5

**[Reviews](#)**

[Q&As](#)



STOCK # N346-201

# LokkLatch

4-9/16", Black, Visual Pack



INDOOR USE



LIFESPAN™ WARRANTY



WEATHERGUARD™

[BUY ONLINE](#)

[Find in Store](#)

## Product Description

Key lockable latch for added security; great for pool gates, sheds, and fences. Can be used on metal, wood, and vinyl gates without rusting, binding, or staining.

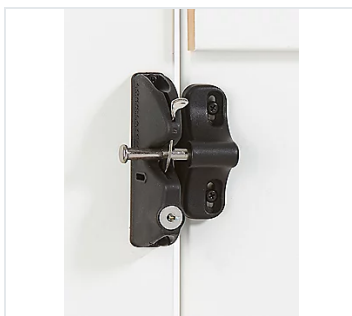
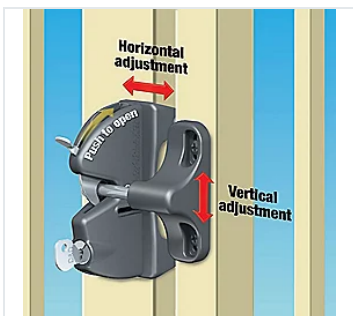
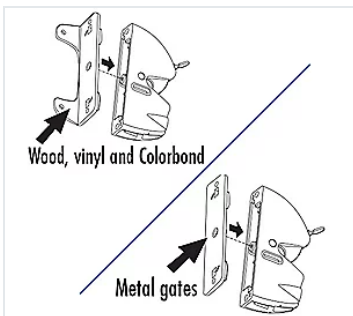
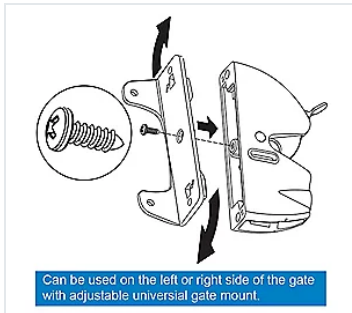
Ultra-strong polymers & stainless steel components that never rust, bind, or stain!

Side fixing legs aid in installation and provide strength. Installs on wood, metal, and vinyl gates.

Kit includes key lockable gate latch and strike.

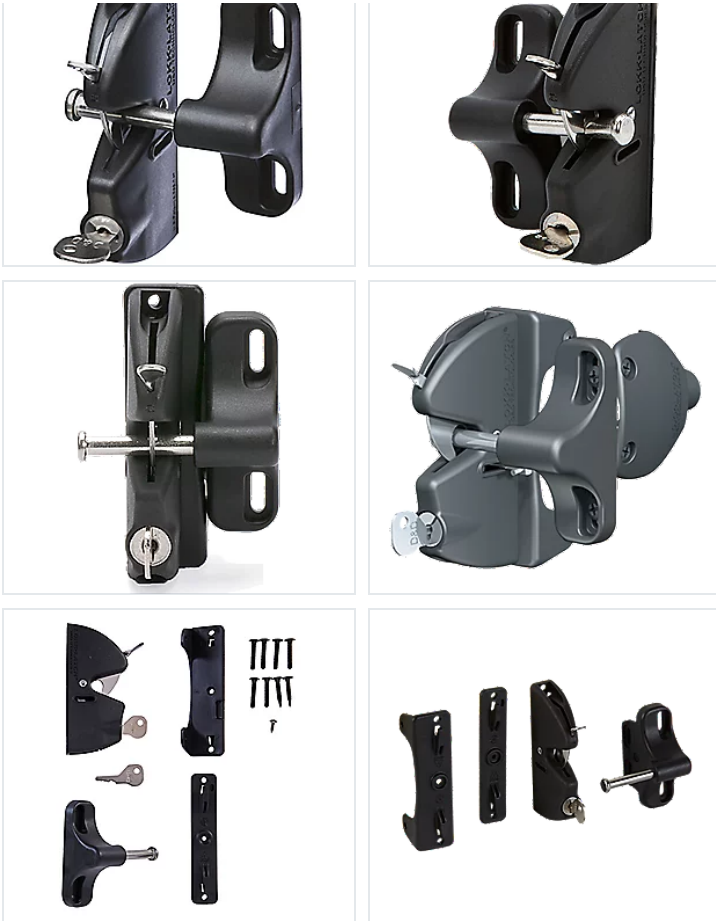
Latch remains horizontally and vertically adjustable during and after installation.

National Hardware's Lifespan™ Limited Lifetime Warranty



## Specifications

STOCK #	N346-201
EACH UPC	886780019032
INNER UPC	10886780019039
MASTER UPC	40886780019030
EACH QUANTITY	1
PACKAGING	Visual Pack
TRADEMARKS	LokkLatch®
PARTNERSHIPS	D & D Technologies



## Featured Inspiration, Tips and How-tos

[See All](#)



[DIY Easy Outdoor Fire Pit](#)



[DIY Cozy Reading Nook](#)



[DIY Floral Chandelier: Create Your Very Own Floral Chandelier](#)



1/5

## Proven to be 3x More Resistant

Our WeatherGuard™ protection is proven to be 3x more resistant to corrosion vs. our competitors. It's formulated to withstand the harshest weather conditions and stand up to the corrosive effects of pressure treated lumber. Extensive testing and field use have proven WeatherGuard is far superior in corrosion resistance over competitive standard zinc-plated products.

[Reviews](#)

[Q&As](#)

Mailbox:



Limestone Boarder:



Timber Step Example:



Walkway: Brassfield fines fill

