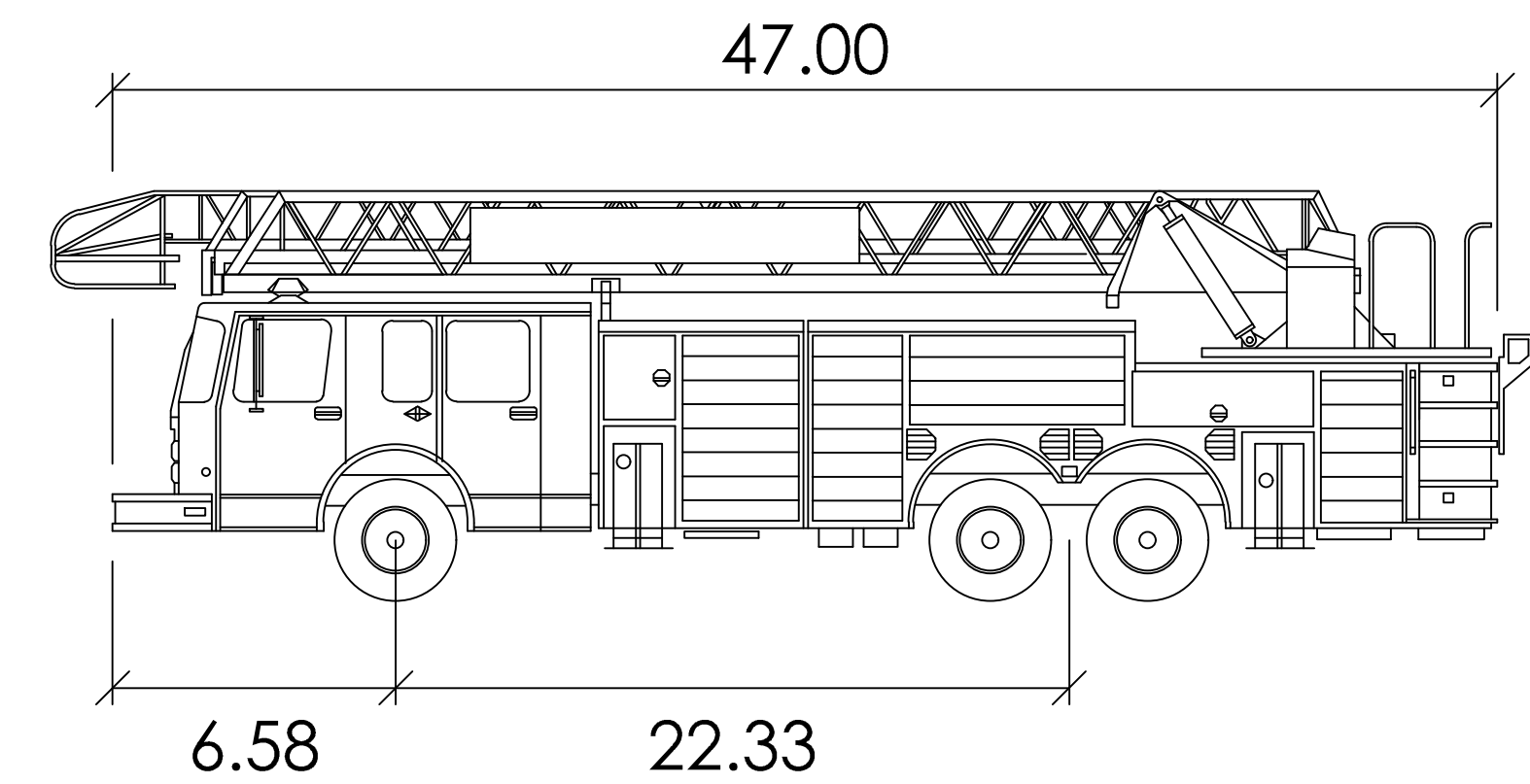


LOCATION MAP  
NOT TO SCALE



WASHINGTON TWP DUBLIN LADDER

	feet
Width	: 9.50
Track	: 8.33
Lock to Lock Time	: 6.0
Steering Angle	: 34.5

LEGEND

- VEHICLE BODY
- FRONT TIRES
- BACK TIRES

**Eickholt Tract**  
City of Dublin  
September 10, 2024  
**AUTOTURN EXHIBIT**

