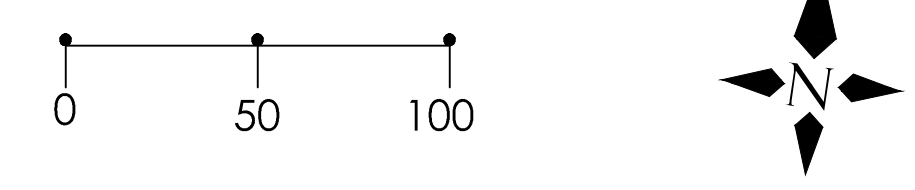


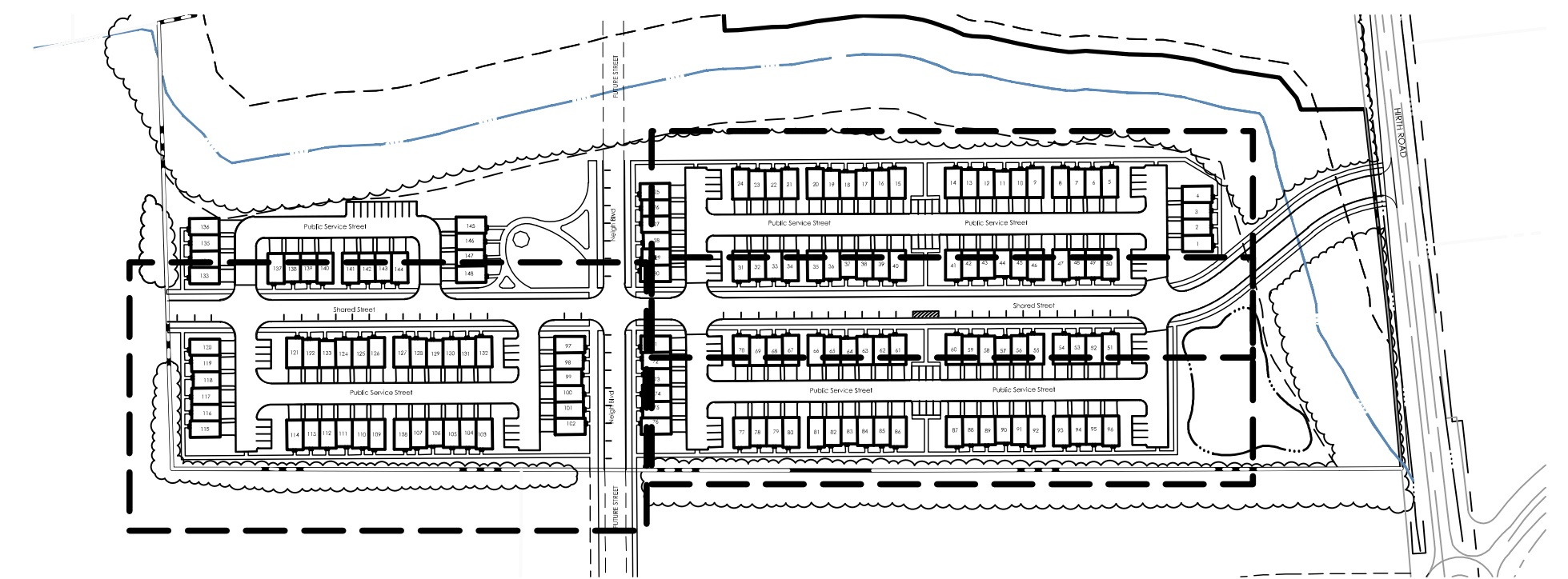
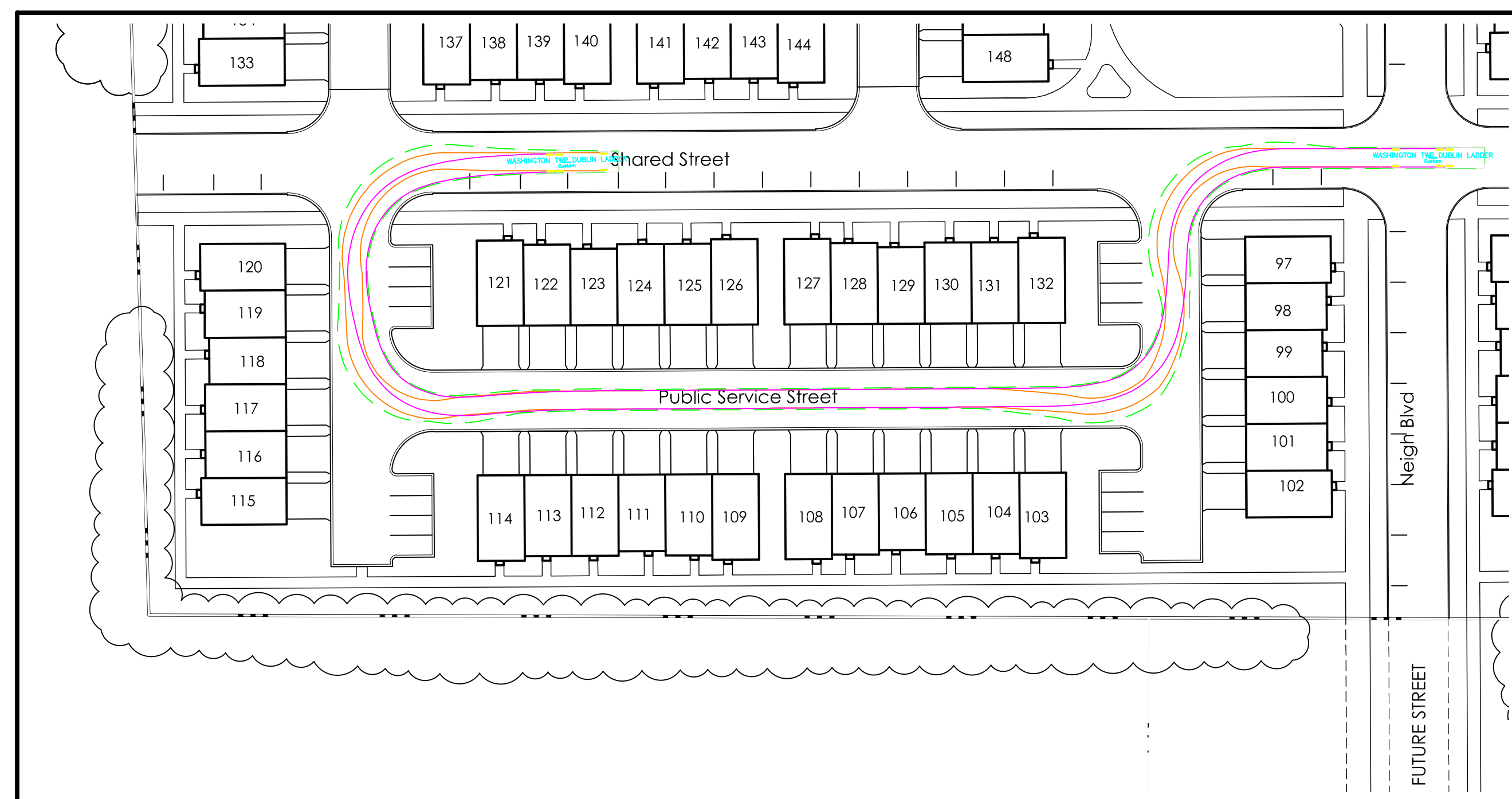
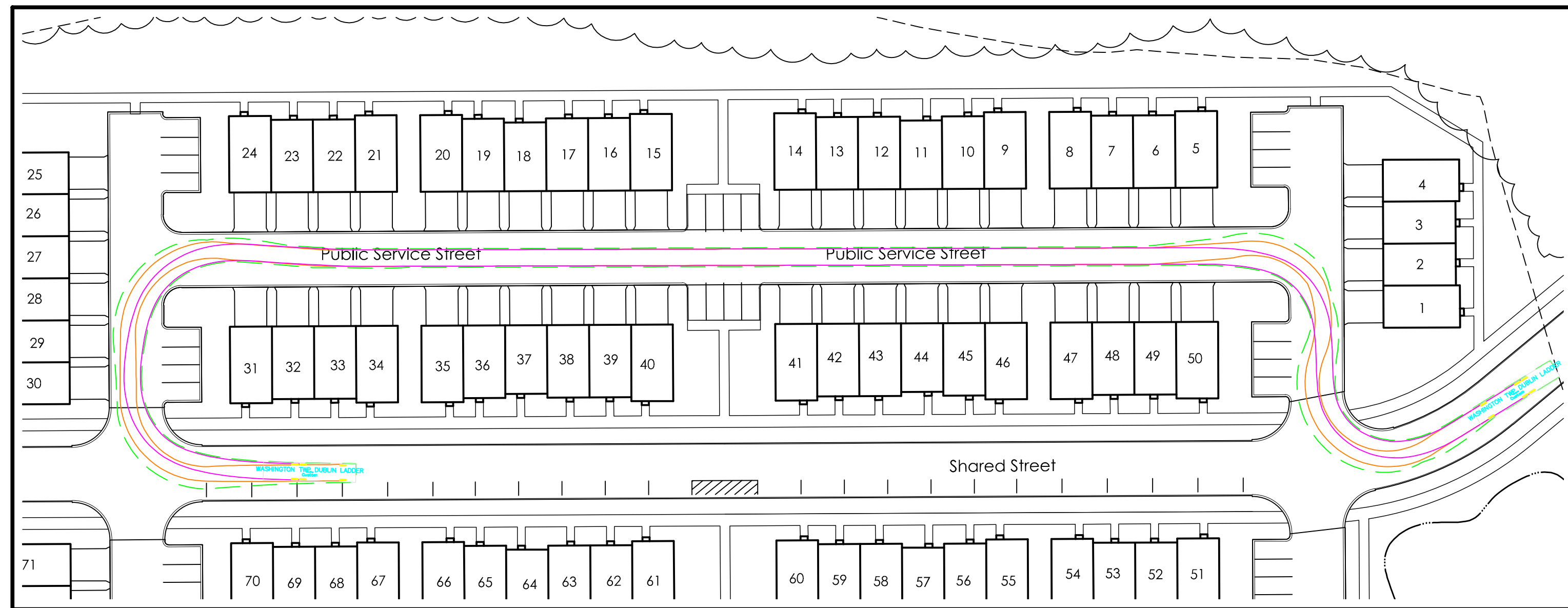
SITE STATISTICS:

TOTAL ACREAGE:	±21.8 ACRES
NUMBER OF UNITS:	148
GROSS DENSITY:	±6.8 UNITS / ACRES
OPEN SPACE:	14.5 acres 66%
SHARED STREET:	±1,860 LF
PUBLIC SERVICE STREET:	±2,820 LF
NEIGHBORHOOD BLVD:	±460 LF
VISITOR PARKING:	179 (74 head-in, 105 on-street)

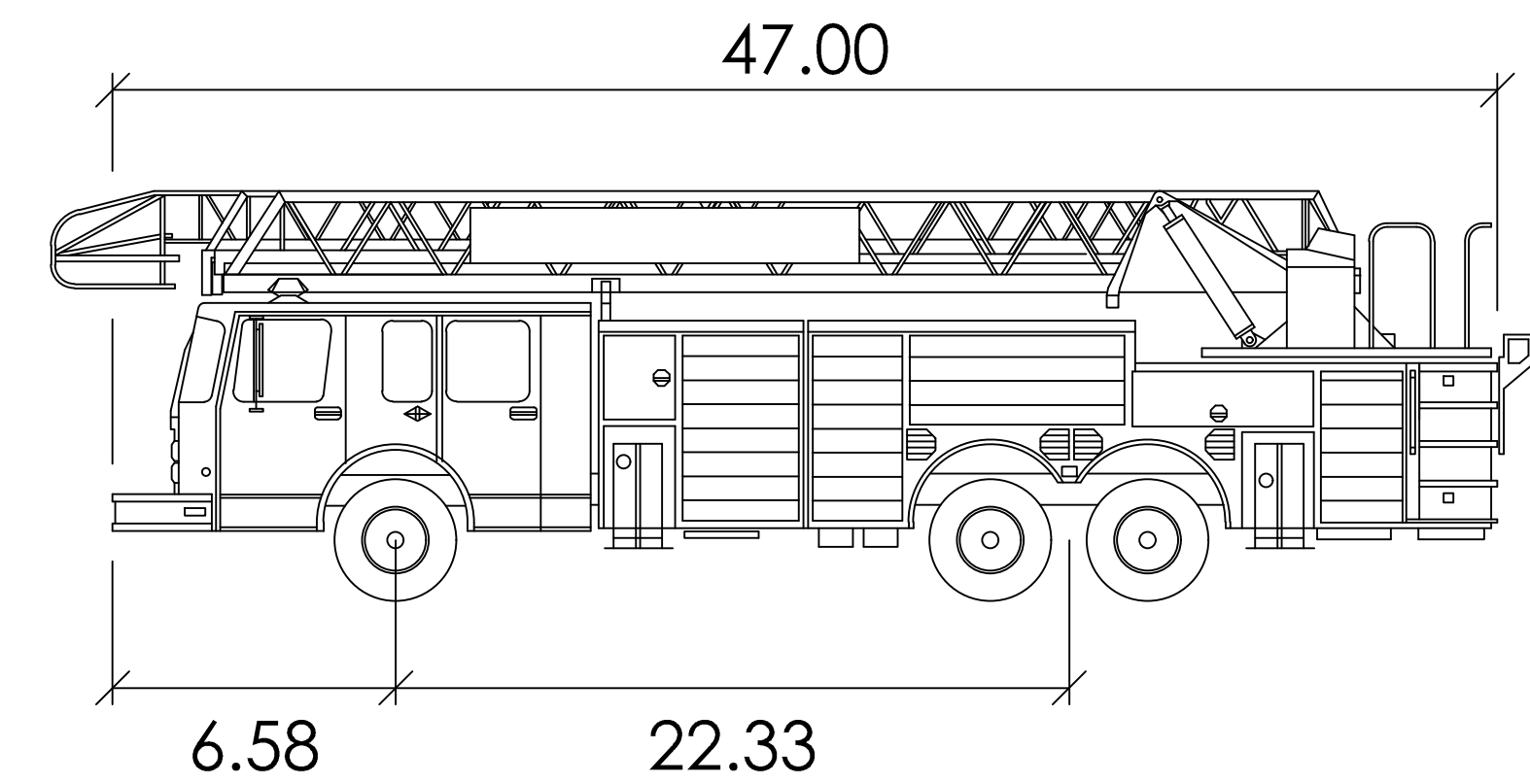
Eickholt Tract

City of Dublin
September 11, 2024
CONCEPT PLAN





LOCATION MAP
NOT TO SCALE



WASHINGTON TWP DUBLIN LADDER

	feet
Width	: 9.50
Track	: 8.33
Lock to Lock Time	: 6.0
Steering Angle	: 34.5

LEGEND

- VEHICLE BODY
- FRONT TIRES
- BACK TIRES

Eickholt Tract
City of Dublin
September 10, 2024
AUTOTURN EXHIBIT

