

62'-4"

4'-9 3/4"



# SOUTH COLLEGE



TYPICAL FLUSH MOUNTED CHANNEL LETTER 3 DIMENSIONAL VIEW

#S1-2552.25: FLUSH MOUNT (LED) ILLUMINATED CHANNEL LETTERS

1/8" = 1'-0"

## 300 SQFT

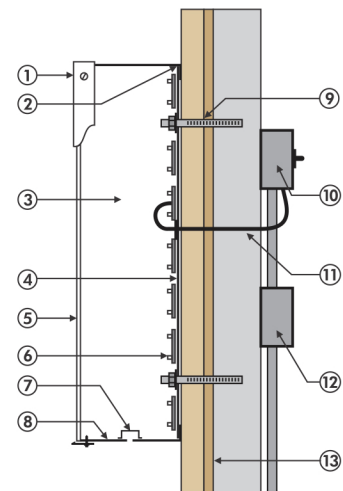
- LOGO: WHITE ALUMINUM CHANNELS.
- LOGO FACE: WHITE ACRYLIC WITH BLACK TRIM-CAP AND DIGITALLY PRINTED VINYL OVERLAY.
- ILLUMINATION: WHITE LED'S.

- LETTERS: WHITE ALUMINUM CHANNELS.
- LETTER FACES: WHITE ACRYLIC WITH BLACK TRIM-CAP.
- ILLUMINATION: WHITE LED'S.

- VECTOR OR HIGH RESOLUTION ARTWORK IS REQUIRED FROM CLIENT PRIOR TO PRODUCTION.



### FLUSH MOUNT LED FACE-LIT CHANNEL LETTERS



1. FACE TRIM-CAP
2. SILICONE SEAL - TYPICAL
3. INTERIOR PAINTED WHITE
4. .063" ALUMINUM BACK
5. ACRYLIC FACE
6. LED MODULES
7. WEEP HOLES (BAFFLES AS REQUIRED)
8. .040 ALUMINUM RETURN
9. 1/4"D. X 4" LONG ALL-THREAD WITH SILICONE ADHESIVE
10. LOW VOLTAGE LED POWER SUPPLY WITH DISCONNECT
11. 18 GA. OUTDOOR LOW VOLTAGE WIRE TO THE LED'S
12. 20 AMP / 120 VOLT JUNCTION BOX BY OTHERS
13. 1 1/2" EIFS OVER 5/8" PLYWOOD ON STUDS @ 16" C/C



Proudly Serving Central Ohio Since 1954  
 1640 Harmon Ave, Columbus, Ohio, 43223  
 (614) 444-3333  
[www.danitesign.com](http://www.danitesign.com)

UL LISTED via STANDARD UI48  
 FILE NO:E60042 DANITE SIGN CO

UL APPLIES TO ILLUMINATED SIGNS ONLY.  
 The location of the disconnect switch after installation shall comply with Section 600.6(A) of the National Electrical Code.



### COLORS

- WHITE
- BLACK

APPROVED-CLIENT \_\_\_\_\_ DATE \_\_\_\_\_

QUALITY CONTROL \_\_\_\_\_ DATE \_\_\_\_\_



JOB NAME SOUTH COLLEGE #S1-2552.25  
 STREET 5525 PARKCENTER CIRCLE  
 CITY, STATE DUBLIN, OH  
 SIGN TYPE WALL SIGN

DATE 10/29/25 REV. DATE:  
 FILE NAME SOUTH COLLEGE.CDR  
 DIRECTORY BELLA > 2025 > S

SCALE AS NOTED SALE OH DESIGNER BM

This project is an original unpublished design concept protected by copyright laws of the United States of America. Prior to sale or paid design fees, all visual materials, specifications, annexes and revisions remain the exclusive property of DaNite Sign Company. The use of any part herein to manufacture, sell or adapt this concept to other mediums by unauthorized parties constitutes an actionable plagiarism.



PROPOSED CONCEPTUAL: 3/32" = 1'-0"