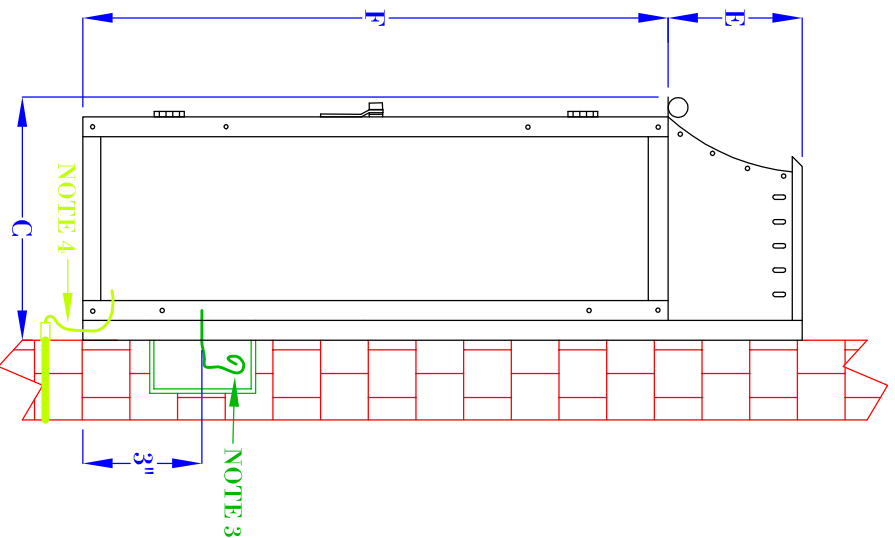


FRONT VIEW

(NTS)

NOTES:

1. MOUNTING HARDWARE SUPPLIED BY OTHERS
 2. FIXTURES ARE HANDCRAFTED. DIMENSIONS MAY VARY PLUS OR MINUS $\frac{1}{4}$ "
 3. ELECTRIC LIGHTS SUPPLIED WITH 18/2 WIRE WITH GROUND
 4. GAS LIGHTS SUPPLIED WITH $\frac{3}{16}$ " COPPER GAS LINE AND $\frac{3}{16}$ " x $\frac{1}{4}$ " GAS LINE ADAPTOR
- PLEASE NOTE: 10", 12", 15" FLUSH MOUNT SIZES ARE NOT SOLD IN GAS.



SIDE VIEW

(NTS)

SIZE:	10"	12"	15"	18"
A:	10 $\frac{1}{8}$ "	12 $\frac{1}{8}$ "	15 $\frac{1}{8}$ "	18 $\frac{1}{8}$ "
B:	7 $\frac{1}{4}$ "	8 $\frac{3}{4}$ "	7 $\frac{1}{4}$ "	8 $\frac{3}{4}$ "
C:	5 $\frac{1}{4}$ "	6"	5 $\frac{1}{4}$ "	6"
E:	3 $\frac{1}{4}$ "	3 $\frac{1}{4}$ "	3 $\frac{1}{4}$ "	3 $\frac{1}{4}$ "
F:	6 $\frac{7}{8}$ "	8 $\frac{7}{8}$ "	11 $\frac{7}{8}$ "	14 $\frac{7}{8}$ "

BEVOLO GAS & ELECTRIC LIGHTS

LIGHT:

WILLIAMSBURG 10", 12", 15", 18"

DATE:

DRW BY: JIG

APP. BY: MAJ

BRACKET:

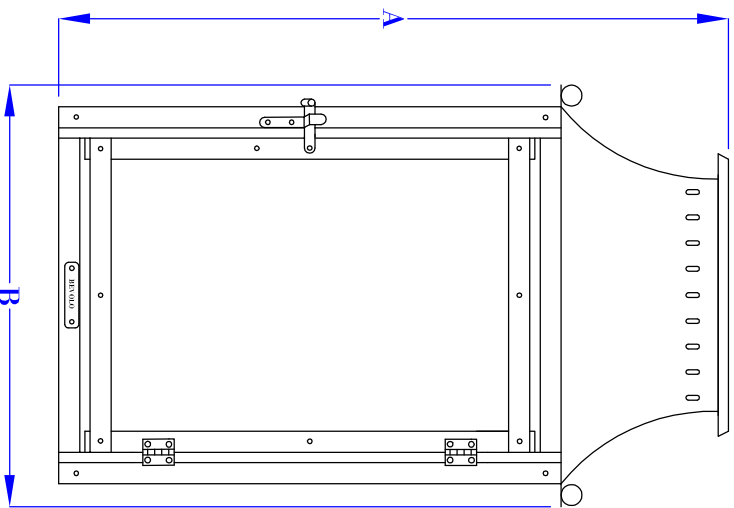
FLUSH MOUNT

12-29-11

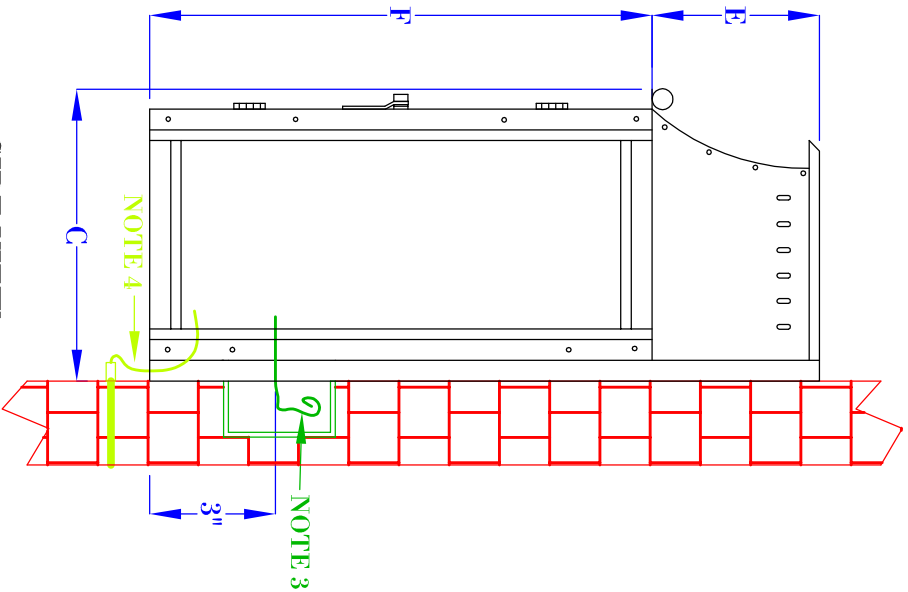
REVISION:

2

COPYRIGHT 2009, BEVOLO GAS & ELECTRIC LIGHTS. DRAWINGS & DESIGNS ARE OWNED BY BEVOLO AND REMAIN THE SOLE AND EXCLUSIVE PROPERTY OF BEVOLO GAS & ELECTRIC LIGHTS. DRAWINGS AND DESIGNS SHALL NOT BE DUPLICATED IN WHOLE OR PART.



FRONT VIEW
(NTS)



SIDE VIEW
(NTS)

- NOTES:
1. MOUNTING HARDWARE SUPPLIED BY OTHERS
 2. FIXTURES ARE HANDCRAFTED. DIMENSIONS MAY VARY PLUS OR MINUS $\frac{1}{4}$ "
 3. ELECTRIC LIGHTS SUPPLIED WITH 18/2 WIRE WITH GROUND
 4. GAS LIGHTS SUPPLIED WITH $\frac{3}{16}$ " COPPER GAS LINE AND $\frac{3}{16}$ " X $\frac{1}{4}$ " GAS LINE ADAPTOR

BEVOLO GAS & ELECTRIC LIGHTS

LIGHT: WILLIAMSBURG 14", 16", 22"

BRACKET: FLUSH MOUNT

SIZE:	14"	16"	22"
A:	14 $\frac{1}{8}$ "	16 $\frac{1}{8}$ "	22 $\frac{1}{8}$ "
B:	10 $\frac{1}{8}$ "	10 $\frac{1}{8}$ "	10 $\frac{1}{8}$ "
C:	7 $\frac{1}{4}$ "	7 $\frac{1}{4}$ "	7 $\frac{1}{4}$ "
E:	4"	4"	4"
F:	10 $\frac{1}{8}$ "	12 $\frac{1}{8}$ "	18 $\frac{1}{8}$ "

DATE:	12-29-11	DRW BY:	JJG
APP. BY:	MAJ	REVISION:	2

COPYRIGHT 2009, BEVOLO GAS & ELECTRIC LIGHTS. DRAWINGS & DESIGNS ARE OWNED BY BEVOLO AND REMAIN THE SOLE AND EXCLUSIVE PROPERTY OF BEVOLO GAS & ELECTRIC LIGHTS. DRAWINGS AND DESIGNS SHALL NOT BE DUPLICATED IN WHOLE OR PART.