

LIGHTING FIXTURE SCHEDULE

SYM	MARK	DESCRIPTION	MANUFACTURER	MODEL	LAMP	TOTAL WATTS	MTG HT	NOTES	
	F1	LARGE PENDANT	CIRCA LIGHTING	SMALL FARLAIN CHANDELIER TOB5018 BRONZE / ANT BRASS / NATURAL PAPER SHADE	(6) 2W LIFE BULB PLT-10130 LED FILAMENT TYPE CANDELABRA 2200K DIMMABLE	12 W		REFER TO INTERIOR ELEVATIONS	1, 2, 3, 10
	F2	WALL SCONCE DOUBLE	CIRCA LIGHTING	ELKINS DOUBLE SCONCE TOB2068 BRONZE / ANT BRASS ACCENTS / PAPER SHADE W/TRIM	(2) 2W LIFE BULB PLT-10130 LED FILAMENT TYPE CANDELABRA 2200K DIMMABLE	4 W		REFER TO INTERIOR ELEVATIONS	1, 2, 3, 4
	F3	SMALL WALL SCONCE AT BOOTH	CIRCA LIGHTING	ALTON PIVOTING SCONCE TOB2081 BRONZE / HAND-RUBBED ANT BRASS ACCENTS / NATURAL PAPER / BLACK TRIM-ON BZ/HAB FINISH	(1) 2.5W - LIFE BULB LVTZ - VC1918022KIC - LED FILAMENT - A19 - 2200K - DIMMABLE	2.5 W		REFER TO INTERIOR ELEVATIONS	1, 2, 3, 4
	F4	PICTURE LIGHT	CIRCA LIGHTING	DAVID PIVOTING ART LIGHT TOB2021 HAND-RUBBED ANT BRASS / BRONZE ACCENTS	(1) 6W - PLT- KT456LSG022K - LED - FILAMENT - T45 TUBULAR - 2200K - DIMMABLE	6 W		REFER TO INTERIOR ELEVATIONS	1, 2, 3, 4, 11
	F5	LIGHT OVER U-BOOTH	CIRCA LIGHTING	GOODMAN SMALL HANGING LIGHT TOB 5090 HAB-NPS HAND RUBBED BRAS / NATURAL PAPER SHADE (MODIFIED)	(1) 2.5W - LIFE BULB LVTZ - VC1918022KIC - LED - FILAMENT - A19 - 2200K - DIMMABLE	2.5 W		REFER TO INTERIOR ELEVATIONS	1, 2, 3, 10
	F6	WALL SCONCE AT DINING B	CIRCA LIGHTING	GOODMAN SMALL HANGING LIGHT TOB 5090 HAB-HAB HAND RUBBED BRAS / HAND RUBBED BRASS SHADE (MODIFIED)	(1) 2.5W - LIFE BULB LVTZ - VC1918022KIC - LED - FILAMENT - A19 - 2200K - DIMMABLE	2.5 W		REFER TO INTERIOR ELEVATIONS	1, 2, 3, 4
	F7	WALL SCONCE IN SMALL DINING ROOM	CIRCA LIGHTING	GERMAIN SINGLE SCONCE TOB2128BZ/HAB-S BRONZE / SILK SHADE	(1) 2W LIFE BULB PLT-10130 LED FILAMENT TYPE CANDELABRA 2200K DIMMABLE	2 W		REFER TO INTERIOR ELEVATIONS	1, 2, 3, 4
	F8	NOT USED							
	F9	RECESSED LIGHT (BOH)	PORTFOLIO/COPPER LIGHTING	GRID RECESSED 900 LUMEN 2700K LED DOWNLIGHT	LD4A-09-D010TE- ERM4A13-80-27- 4LM1-H 2700K LED	14W			
	F10	SQUARE FIXTURE	CIRCA LIGHTING	MERCER SQUARE BOX LIGHT TOB2004 BRONZE	(2) 6W - PLT- KT456LSG022K - LED - FILAMENT - T45 TUBULAR - 2200K - DIMMABLE	12 W			1, 2, 3
	F11	WALL SCONCE AT RESTROOM	CIRCA LIGHTING	CYLINDER SCONCE 2006BZ-WG	(1) 2W LIFE BULB PLT-10130 LED FILAMENT TYPE CANDELABRA 2200K DIMMABLE	2 W		REFER TO INTERIOR ELEVATIONS	1, 2, 3, 4
	F12	LIGHT IN CORRIDOR	CIRCA LIGHTING	TILDEN FLUSH MOUNT TOB4130	(2) 2.5W - LIFE BULB LVTZ - VC1918022KIC - LED - FILAMENT - A19 - 2200K - DIMMABLE	5 W			1, 2, 3, 4
	F13	RECESSED LIGHT AT WINE	CSL CREATIVE SYSTEMS LIGHTING	ECO-DOWNLIGHT LED EDLM - RM - WW - HC - 2 EDLM - 1003 - 1 2" ROUND TRIM	(1) 14W 2800K CRI 90 DIMMABLE LED INTEGRAL	14 W			1, 2, 3, 4

	F14	LAMP AT HOST	CIRCA LIGHTING	TICO TABLE LAMP TOB3650	(1) 2.5W - LIFEBULB LVTZ - VC1918022KIC - LED - FILAMENT - A19 - 2200K - DIMMABLE	2.5 W		1, 2, 3, 4
	F15	LED TAPE LIGHT	LUMINII	LL 18 2200K	1.5 W / LF			1, 2, 3, 4, 5, 6
	F16	2'x4' GRID MOUNTED TROFFER	COOPER	24-EN-LDI-45-VOLTAGE-L835-CD-1 3000K - INTEGRAL		40W		1, 3
	F17	HEAT LAMP	HATCO http://www.hatcocorp.com/	DL(STANDARD)-600 BLACK (S)(L)(20.5')	120V, 250W RED COATED BULB	250W		3, 8
	F18	PICTURE LIGHT	CIRCA LIGHTING	DAVID PIVOTING ART LIGHT TOB2023 HAND-RUBBED ANT BRASS / BRONZE ACCENTS	(1) 6W - PLT- KT456LSG022K - LED - FILAMENT - T45 TUBULAR - 2200K - DIMMABLE	6 W	REFER TO INTERIOR ELEVATIONS	1, 2, 3, 4, 11
	F19	KURT VERSEN	A4146-10-27-VOLTAGE-DE-SO	2700K LED	LUTRON ECOSYSTEM 1% DIGITAL DIMMING DRIVER	RECESSED 4" ROUND 1000 LUMEN 2700K LED 22" ADJUSTABLE DOWNLIGHT WITH LUTRON ECOSYSTEM 1% DIGITAL DIMMING DRIVER	BLACK	15W
	F20	LAMP AT BAR SERVICE	CIRCA LIGHTING	CARLO TABLE LAMP TOB3190	(1) 2.5W - LIFEBULB LVTZ - VC1918022KIC - LED - FILAMENT - A19 - 2200K - DIMMABLE	2.5 W		1, 2, 3, 4
	XF1	RECESSED LIGHTING	COOPER LIGHTING - PORTFOLIO	LD4A-13-D010TE-ERM4A13-8- 27/4LM1-H-WF - 2700K DIMMABLE	22.4W LED INTEGRAL	22.4W		1, 2, 3
	XF2	HEATER	INFRA TECH www.infratech-usa.com	W-SERIES HEATER W2524		2500W		
	XF3	WALL SCONCE	CIRCA LIGHTING	SACKETT LARGE SCONCE RL 2157BZ BRONZE WITH FROSTED SAFETY GLASS	(4) 2W LIFEBULB PLT-10130 LED FILAMENT TYPE CANDELABRA 2200K DIMMABLE	8 W		

DESCRIPTION

4 inch LED recessed medium beam downlight with 50° cut off specially designed for LED technology. Two-stage reflector system produces smooth distribution with excellent light control and low aperture brightness. Lumen packages include 900, 1300, 1800 and 2800 lumens with color temperatures of 2700K, 3000K, 3500K, 4000K.

Catalog #		Type	
Project			
Comments		Date	
Prepared by			

SPECIFICATION FEATURES

Lower Shielding Reflector
Self-flanged, spun .050" thick aluminum lower reflector in combination with a lensed upper optical chamber provides superior lumen output with minimal source brightness. Available in all Portfolio Alzak® finishes.

Trim Retention
Lower reflector is retained with two torsion springs holding the flange tightly to the finished ceiling surface.

Plaster Frame / Collar
New Construction Housing: Die cast aluminum 1-1/2" deep collar accommodates ceiling materials up to 2".

Universal Mounting Bracket
Accepts 1/2" EMT, C channel and bar hangers and adjusts 5" vertically from above and below the ceiling.

Junction Box
(4) 1/2" and (2) 3/4" trade size pry outs positioned to allow straight

conduit runs. Listed for (8) #12 AWG (four in, four out) 90°C conductors and feed thru branch wiring.

Thermal
Extruded aluminum heat sink conducts heat away from the LED module for optimal performance and long life.

LED
LED system contains a plurality of high brightness white LED's combined with a high reflectance upper reflector and convex transitional lens producing even distribution with no pixilation. Rated for 50,000 hours at 70% lumen maintenance. Auto resetting, thermally protected, LED's are turned off when safe operating temperatures are exceeded. Color variation within 3-step MacAdam ellipses. Flexible disconnect allows for tool-less replacement of LED engine from below ceiling. Available in 80 or 90 CRI.

Driver
Combination 120-277V 0-10V or 120V trailing edge phase cut driver provides flicker free dimming from 100% to 10%. Optional 1% 0-10V, Fifth Light, DMX or Lutron® Ecosystem. Driver can be serviced from above or through the aperture.

Code Compliance
Thermally protected and cULus listed for protected wet locations. IP66 rated when used with IP66 gasket kit accessory. Optional City of Chicago environmental air (CCEA) marking for plenum applications. EMI/RFI emissions per FCC 47CFR Part 18 Class B consumer limits. Non-IC rated - Insulation must be kept 3" from top and sides of housing. RoHS Compliant. Photometric testing completed in accordance with IES LM 79 standards. LED life testing completed in accordance with LM 80 standards.

Warranty
5 year warranty.

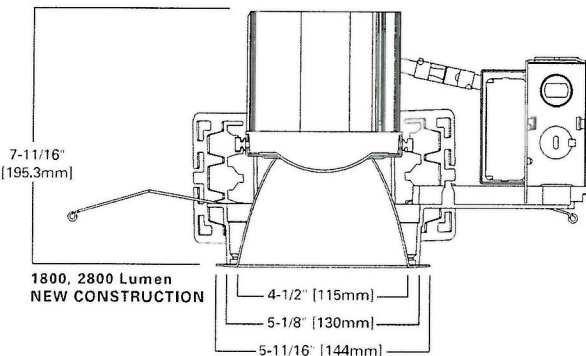
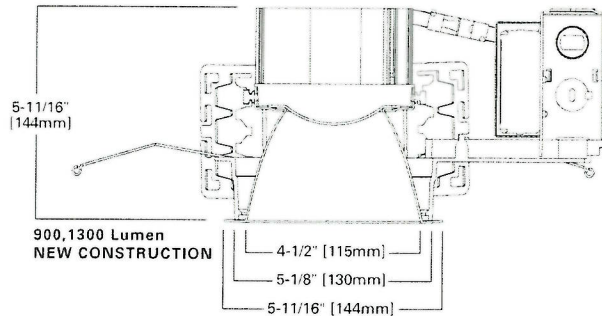
XF1



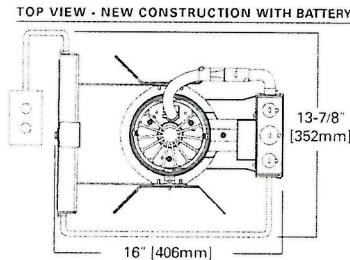
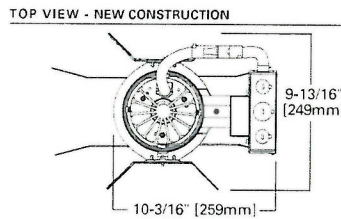
LD4A09 LD4A13
LD4A18 LD4A28
4LM

900, 1300 Lumen LED
1800, 2800 Lumen LED

4-Inch
Medium Beam Downlight
New Construction



Note: Max Opening 4-3/8" [111mm]



Refer to ENERGY STAR Qualified Products List. Can be used to comply with California Title 24 High Efficacy requirements. Certified to California Title 20 Appliance Efficiency Database.



Cooper Lighting

by E.T.N

Specifications and dimensions subject to change without notice.

Consult your representative for additional options and finishes.

GWEN GROSSMAN LIGHTING DESIGN

OCEAN PRIME - BOSTON

ADP110786
2014-10-21 14:10:55

ORDERING INFORMATION

EXAMPLE: LD4A13D010TE ERM4A13835 4LM0LI=4" LED Medium Beam Reflector Lens, 1300 lumen, 3,500 K Color with Universal 120 - 277V, 0 - 10 Driver

Housing	Lumens ²	Driver	Options	Power Module	CRI	Color
LD4A=4" Aperture LD4ACP=4" Aperture, Chicago Plenum	09=900 Lumens 13=1300 Lumens 18=1800 Lumens 28=2800 Lumens	900, 1300, 1800 and 2800 Lumen D010TE=120-277V 0-10V 10% Dimming or Trailing Edge 120V Dimming D5LT=Fifth Light ¹ (DALI) Dimming 1-100% DE010=1 to 100% Dimming, 120-277V 50/60Hz, 0-10V DL3=1 to 100% Dimming, 120-277V Lutron ³ Hi-Lume, Ecosystem or 3 Wire DLT=1 to 100% Dimming, 120V Lutron ³ Hi-Lume Forward Phase Dimming DMX=DMX Dimming 1-100%	EMBOD=Bodine ³ Emergency Module with Remote Test Switch ¹ IEMBOD=Bodine ³ Emergency Module with Integral Test Switch ¹	ERM4A09=4", 900 Lumen Module for Medium Beam Reflector ERM4A13=4", 1300 Lumen Module for Medium Beam Reflector ERM4A18=4", 1800 Lumen Module for Medium Beam Reflector ERM4A28=4", 2800 Lumen Module for Medium Beam Reflector	8=80 CRI 9=90 CRI	27=2700° K 30=3000° K 35=3500° K 40=4000° K 27CP=2700° K, Chicago Plenum 30CP=3000° K, Chicago Plenum 35CP=3500° K, Chicago Plenum 40CP=4000° K, Chicago Plenum
		900, 1300 and 1800 Lumen D010TR=120-277V 0-10V 10% Dimming or Leading Edge 120V Dimming				

XF1

Reflector	Finish	Options	Accessories
4LM0=4" Medium Reflector Lens Assembly, White Polymer Trim Ring 4LM1=4" Medium Reflector, Self-flanged 4LM0E=4" Medium Reflector Lens Assembly, White Polymer Trim Ring for Integral Emergency Option 4LM1E=4" Medium Reflector Self-flanged for Integral Emergency Option	L=Specular Clear H=Semi-Specular Clear W=Warm White G=Specular Gold WH=Wheat WHH=Wheat Haze GP=Graphite GPH=Graphite Haze	B=Specular Black W=Gloss White 4LM0 Only BB=Black Baffle WB=White Baffle	Self-flanged Only WF=White Painted Flange HB26=C-channel Bar Hanger, 26" Long, Pair HB50=C-channel Bar Hanger, 50" Long, Pair RMB22=Wood Joist Bar Hanger, 22" Long, Pair H347= 347 to 120V Step Down Transformer, 75VA H347200=347 to 120V Step Down Transformer, 200VA TRM4P= Metal Trim Ring, White ² TRM4MB= Metal Trim Ring, Black ² TRR4=Rimless Trim Ring ² LGSKT4IP66-IP66 Gasket Kit

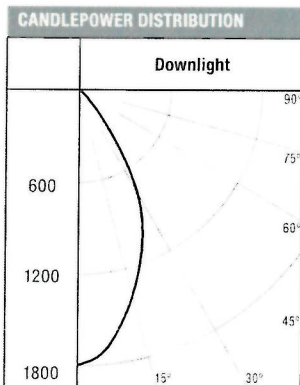
- Notes: 1 Nominal Lumens will vary depending on selected color, driver and reflector finish.
2 Order trim with polymer trim ring (Consult specification sheet for color ordering information and options).
3 Not available with Chicago Plenum.

ENERGY

ENERGY DATA			
Sound Rating: Class A standards			
(Values at non-dimming 1=0 voltage)			
Minimum Starting Temperature: -30°C (-22°F)			
±2000H FCC Title 47 CFR, Part 15, Class B (Consumer)			
Input Voltage: UNV (120V - 277V)			
Power Factor: >0.90 (at nominal input 120-277 VAC & 100% of Rated Output Power)			
2800 Lumen D010TE		1800 Lumen D010TE	
Input Power: 43.4W	THD: <17%	Input Power: 21.5W	THD: <20%
120V Input Current: 0.36A	277V Input Current: 0.08A	120V Input Current: 0.21A	277V Input Current: 0.08A
Maximum Non-IC Ambient: Continuous		Maximum Non-IC Ambient: Continuous	
Input Frequency: 50/60Hz		Input Frequency: 50/60Hz	
1300 Lumen D010TE		900 Lumen D010TE	
Input Power: 22.4W	THD: <20%	Input Power: 14.1W	THD: <23%
120V Input Current: 0.19A	277V Input Current: 0.09A	120V Input Current: 0.12A	277V Input Current: 0.06A
Maximum Non-IC Ambient: Continuous		Maximum Non-IC Ambient: Continuous	
Input Frequency: 50/60Hz		Input Frequency: 50/60Hz	

Lumens	120V		277V	
	Inrush (A)	Duration (ms)	Inrush (A)	Duration (ms)
900/1640	0.486	0.4	0.348	0.182
1300/1500	0.212	1.58	0.531	1.24
1800/2000	0.832	0.405	1.25	0.789
2800/3500	1.09	0.3	1.23	0.294

PHOTOMETRICS



Test Number	P98003
LD4A13D010TE ERM4A13835 4LM1H	
Lumens	1377
Efficacy	61.5 Lm/W
Watts	22.4
CCT	3500K
SC	0.79

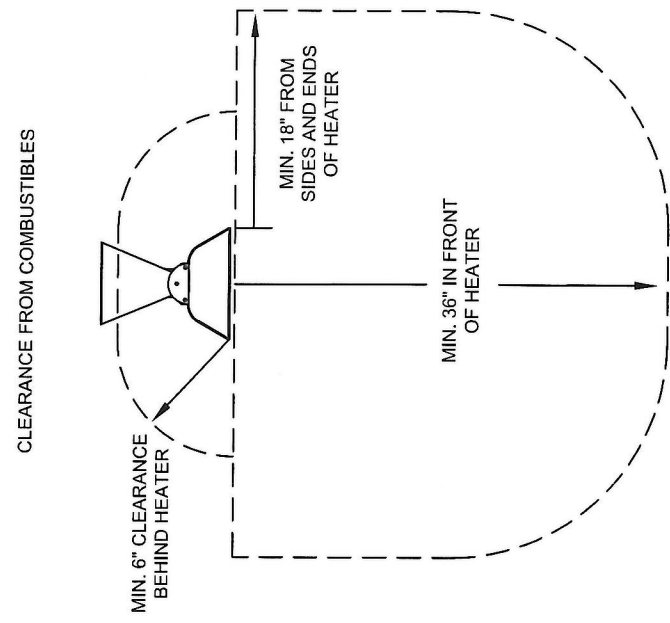
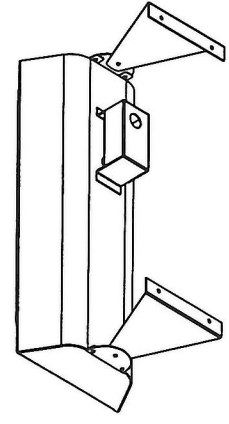
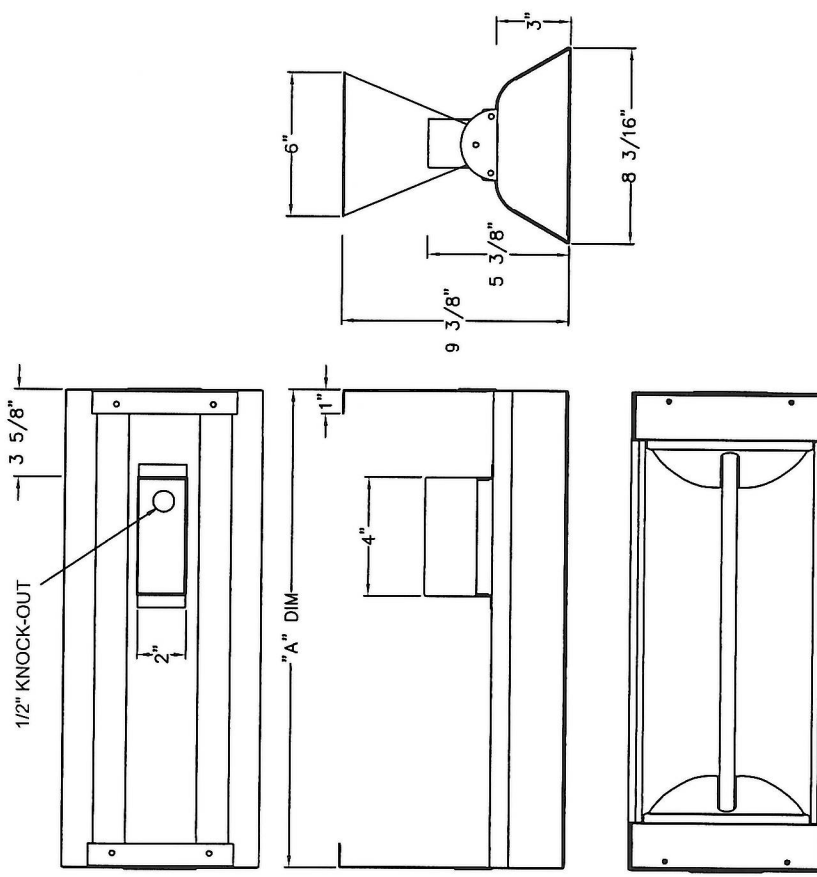
CONE OF LIGHT		
Distance Fixture to Lighted Plane	Initial Footcandles at Nadir	Beam Diameter
5'5"	58	4.2
7'	36	5.4
8'	27	6.2
9'	22	7.0
10'	17	7.8
12'	12	9.4

CANDELA TABLE	
Degrees Vertical	Candela
0	1780
5	1719
15	1371
25	978
35	442
45	100
55	18
65	6
75	2
85	0
90	0

ZONAL LUMEN SUMMARY		
Zone	Lumens	% Fixture
0-30	984	71.5
0-40	1264	91.8
0-60	1369	99.4
0-90	1377	100
90-180	0	0
0-180	1377	100

LUMINANCE	
Average Candella Degrees	Average 0° Luminance
45	13755
55	3126
65	1407
75	565
85	0

XF2



MODEL	"A" DIM.	WATTS	VOLTS	AMPS	BTU's
W512	19"	500	120	4.2	1706
W7512	19"	750	120	6.3	2559
W1012	33"	1000	120	8.3	3412
W1512	33"	1500	120	12.5	5118
W2024	39"	2000	240	8.3	6824
W2524	39"	2500	240	10.4	8530
W3024	61 1/4"	3000	240	12.5	10236
W4024	61 1/4"	4000	240	16.7	13648
WD4024	39"	4000	240	16.7	13648
WD5024	39"	5000	240	20.8	17060
WD6024	61 1/4"	6000	240	25	20472
WD8024	61 1/4"	8000	240	33.4	27296

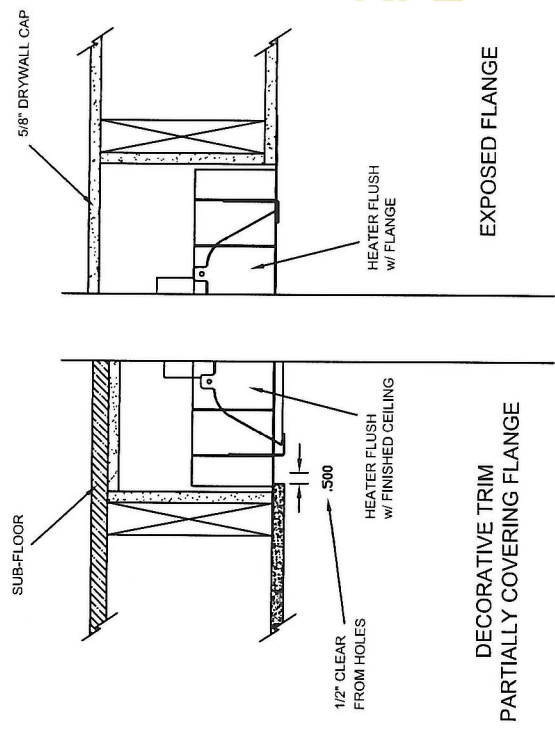
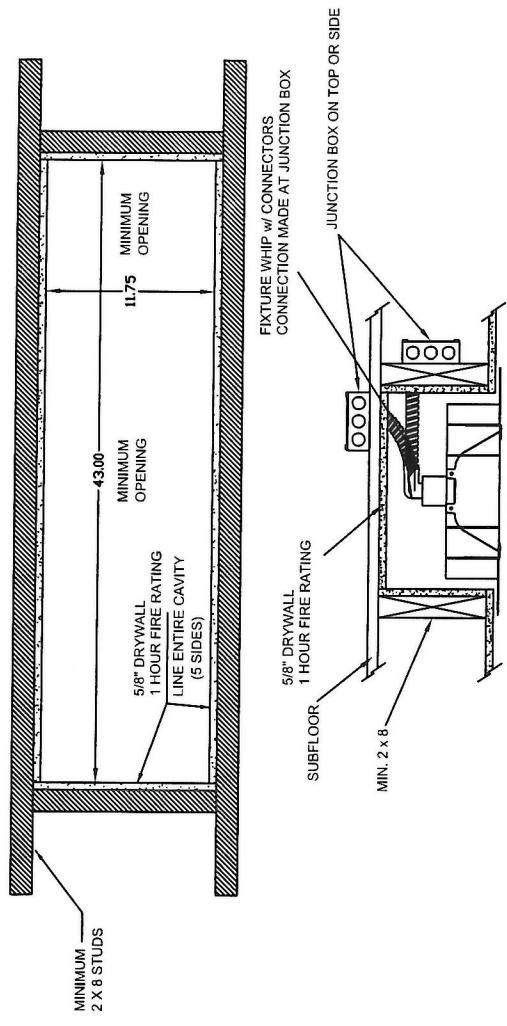
INFRA-TECH
 www.infrotech-usa.com
 15700 S. Figueroa St.
 Gardena, California 90248
 Phone: (310) 354-1250
 Fax: (310) 623-3674

DESCRIPTION
W-SERIES HEATER CAD DRAWING

DATE: Feb. 3, 2010
 DRAWN BY: MID
 SCALE: NONE

OTHER VOLTAGES ALSO AVAILABLE: 208, 277, 480

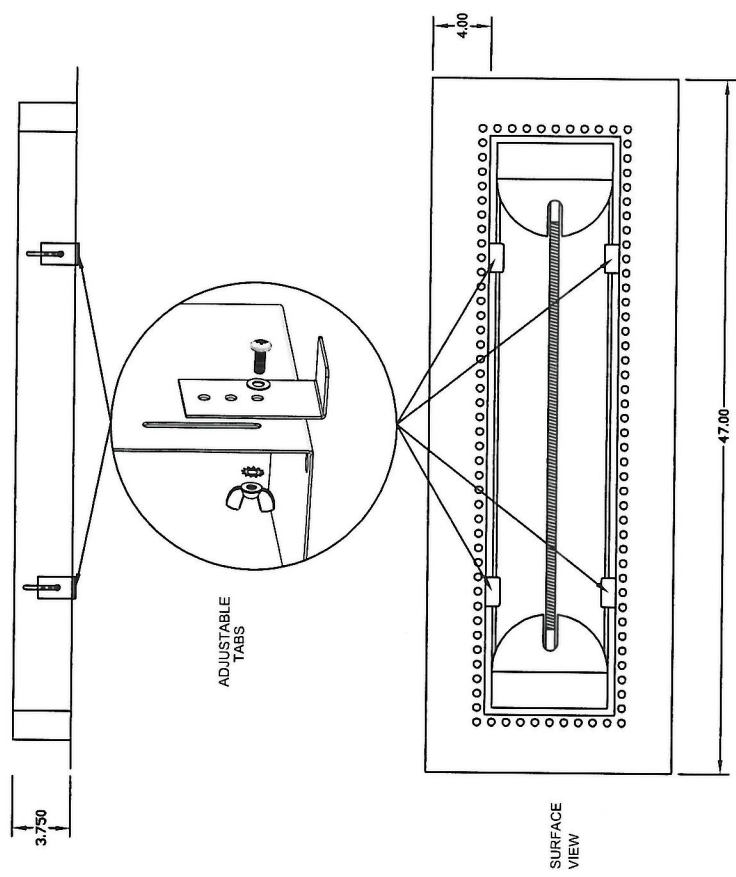
INSTALLATION TYPES



DECORATIVE TRIM PARTIALLY COVERING FLANGE

EXPOSED FLANGE

XF2



WARNINGS:

- This frame is ONLY to be used on a flat non-sloped ceiling.
- Heater must face straight down.
- Frame and Heater cannot be installed on a pitched angle.

NOTES:

- Heater suspends (Gravity) by resting on adjustable tabs in flush mount fixture.
- Mounting holes on Surface Flange to be determined and drilled by Contractor/Installer.
- Supplied with Hi-Temp Fixture Whip and Hi-Temp Wire Nuts.
- Coil excess flex into heater cavity.
- Use Licensed Electrician ONLY

INFRA TECH
 15700 S. Figueroa St.
 Gardena, California 90248
 Phone: (310) 354-1250
 Fax: (310) 523-3674
 www.infrotech-usa.com

ITEM #:	X-18-2300	MATERIAL:	304 S.S. #4 FINISH
DESCRIPTION:	W-39 FLUSH MOUNT PLASTER FRAME (FOR USE WITH 39" HEATERS)		
NOTES:	SUPPLIED w/ ELECTRICAL FIXTURE WHIP		
DATE:	July 17, 2015	SCALE:	N/A
DRAWN BY:			MD



Sackett Large Sconce

DESIGNER: RALPH LAUREN

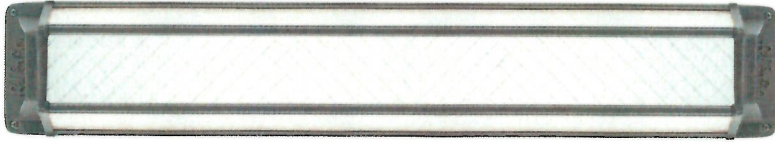
\$990.00

ITEM #RL 2157BZ AVAILABILITY: WITHIN 6 WEEKS

SPECIFICATIONS

- Height: 29.5"
- Width: 5"
- Extension: 4.5"
- Backplate: 5.5" Square
- Socket: 4 - E26 Keyless
- Wattage: 4 - 60 T

- SPECIFICATION SHEET
- INSTALLATION GUIDE



FINISH/SHADE

Bronze with Frosted Safety Glass ▾

QTY

1

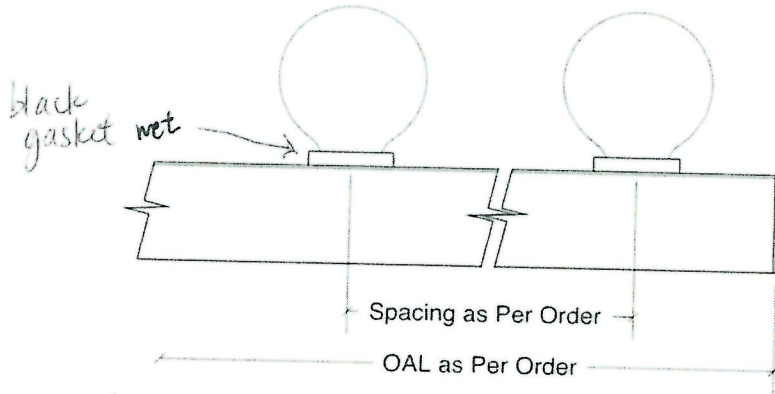
ADD TO CART

♥ Add To Wishlist



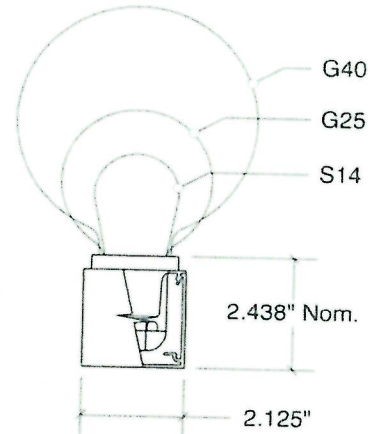
MQ / MB

220 / MB - Surface Mount Lamps, Waterproof

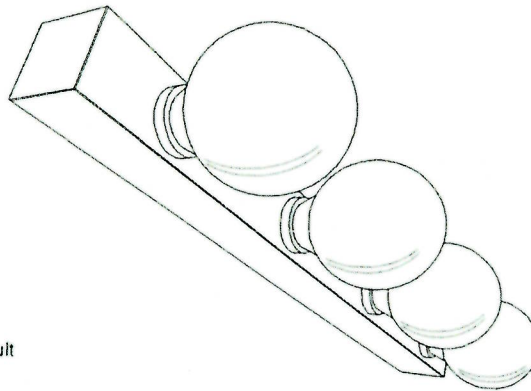
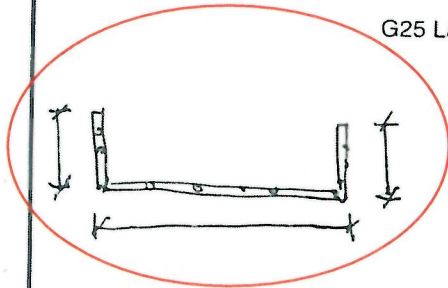


Side View
Scale: 1:4

G25 Lamp Shown for Reference



End View
Scale: 1:4



Perspective View
Scale: NTS

Notes

- 1-Fixture ambient temperature **not to exceed 100°F**
- 2-Available in Satin Aluminum, Polished Chrome, Polished Brass and White or Black semi-gloss painted finishes. Consult factory for alternate finishes.
- 3-Lamps provided by others. Recommended Lamps to be 120 volt incandescent. **Medium base** lamp type and wattage as per order. Warning, risk of fire. Do not exceed maximum recommended wattage.
- 4-Fixtures provided with $\varnothing.875$ " knockouts for power feed.
- 5-Mitering, mounting and bending options available. Consult factory for details.
- 6-Socket spacing as specified. For custom spacing, consult factory for lamp compatibility.
- 7-For multiple circuit wiring consult factory.

Lamp Spacing	
<input type="checkbox"/>	6"
<input checked="" type="checkbox"/>	12"
<input type="checkbox"/>	Other (Consult Factory)
Finishes	
<input type="checkbox"/>	SA Satin Aluminum
<input type="checkbox"/>	PC Polished Chrome
<input type="checkbox"/>	PB Polished Brass
<input type="checkbox"/>	WH White Paint
<input checked="" type="checkbox"/>	BK Black Paint
<input type="checkbox"/>	Custom (Specify)

can paint in field
or
custom



Starfire Lighting, Inc.
7 Donna Drive, Wood-Ridge, NJ 07075
(201) 438-9540 FAX: (201) 438-9541
Toll Free: (800) 443-8823
E-Mail: info@starfirelighting.com

Date: _____ Starfire Agent: _____

Drawing No: **0464**
+ 0625 lot lead time 6 wks

Project: _____ Specified by: _____

All designs and scale drawings shall remain the property of STARFIRE LIGHTING, INC., and may not be reproduced or transmitted without the expressed written consent of the manufacturer.
STARFIRE LIGHTING, INC. reserves the right to make changes on approved designs to facilitate manufacturing methods to the extent that such changes do not compromise design integrity.

Outdoor Original

HUNTER ORIGINAL® - 52" CEILING FAN

MODEL 23863

Black

Teak



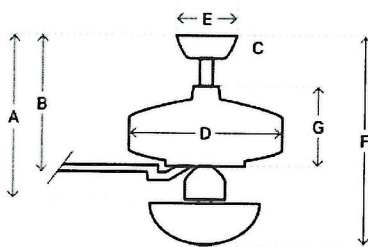
HUNTER ORIGINAL® - 52" CEILING FAN

The one-of-a-kind Hunter Original® has been around for a long time yet it still brings superior performance for years of endurance. This powerful motor features a cast-iron housing and a unique oil bath system that constantly lubricates bearings, virtually eliminating noise and wear. Many patrons have proudly hung their Hunter Originals for decades, and it's never too late for you to join the fun. This product remains a classic that will elevate your home and amaze you with its performance.

- One-of-a-kind Hunter Original® motor promises years of quiet, trouble-free operation. This powerful motor features a cast-iron housing and a unique oil bath lubrication system that constantly lubricates bearings, virtually eliminating noise and wear
- Original Canopy
- 2.5" downrod included to ensure proper distance from the ceiling and optimize air movement
- Limited Lifetime Motor Warranty is backed by the only company with over 125 years in the fan business

 Outdoor/Damp rated

Dimensions



- a 13.67 in
- b 11.60 in
- c 3.26 in
- d 12.53 in
- e 5.50 in
- f -
- g 5.81 in

Standard dimensions: with 3 inch downrod (included)
 Angled dimensions: with 36 inch downrod (not included)

Energy Information

- Airflow**
7560 cfm
- Electricity Use**
85 watts
- Airflow Efficiency**
89 cfm/watt

Running at high speed

