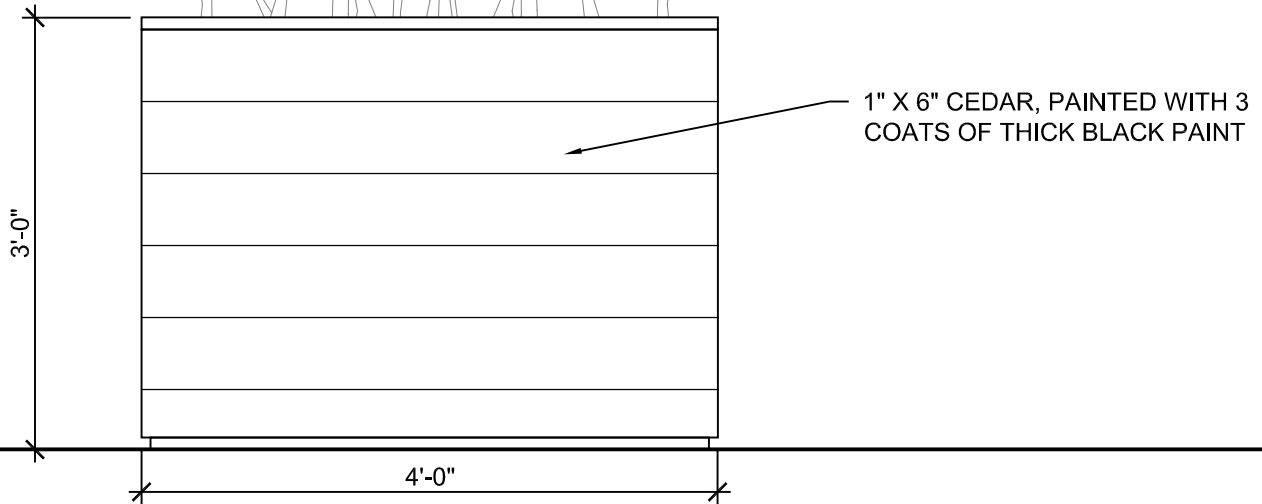


**A** PATIO PLANTER - PLAN

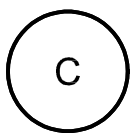
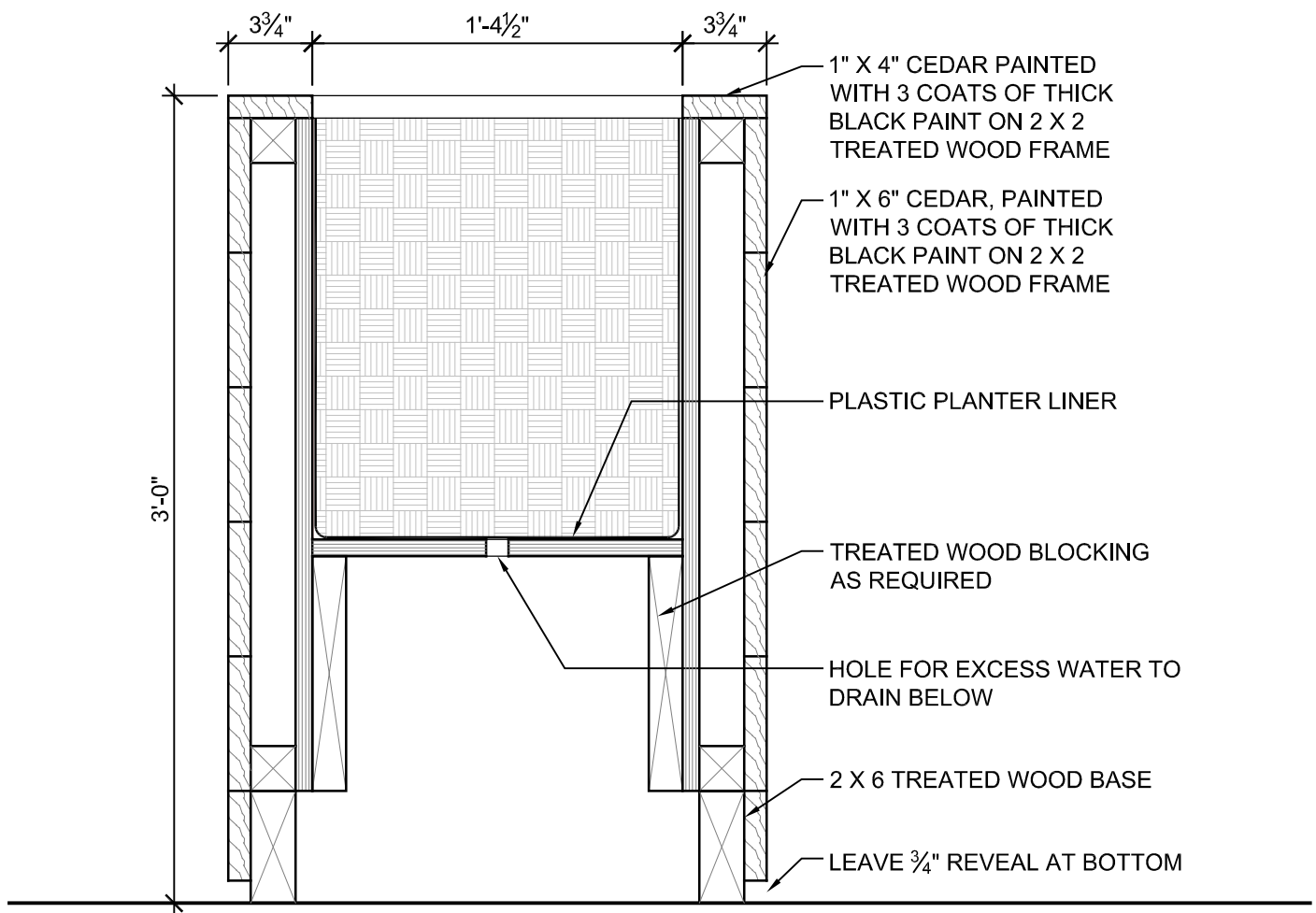
3/4" = 1'-0"



**B** PATIO PLANTER - ELEVATION

3/4" = 1'-0"





## PATIO PLANTER - SECTION

1 1/2" = 1'-0"





