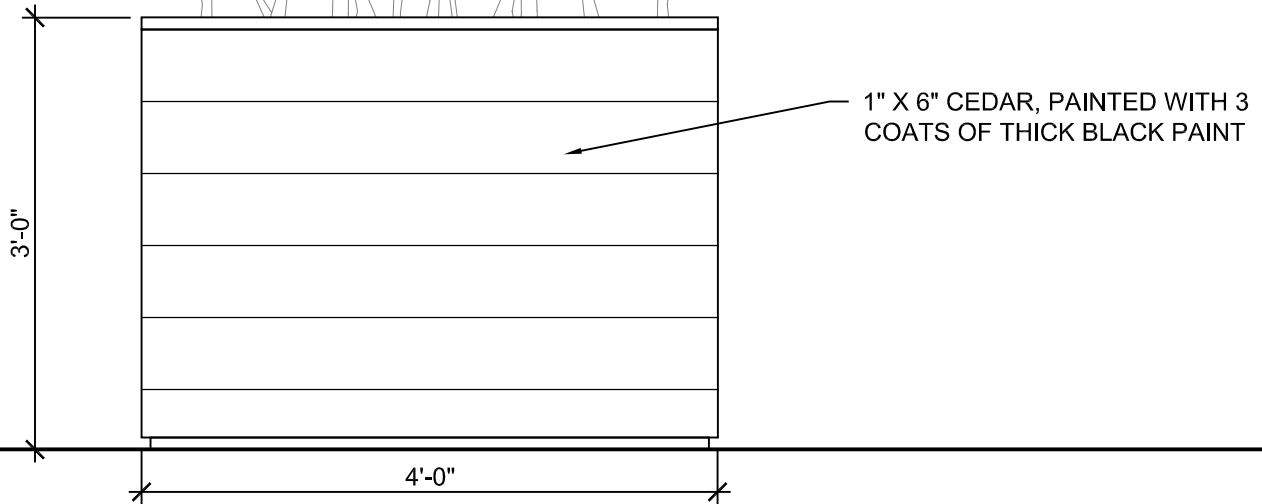


A PATIO PLANTER - PLAN

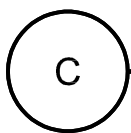
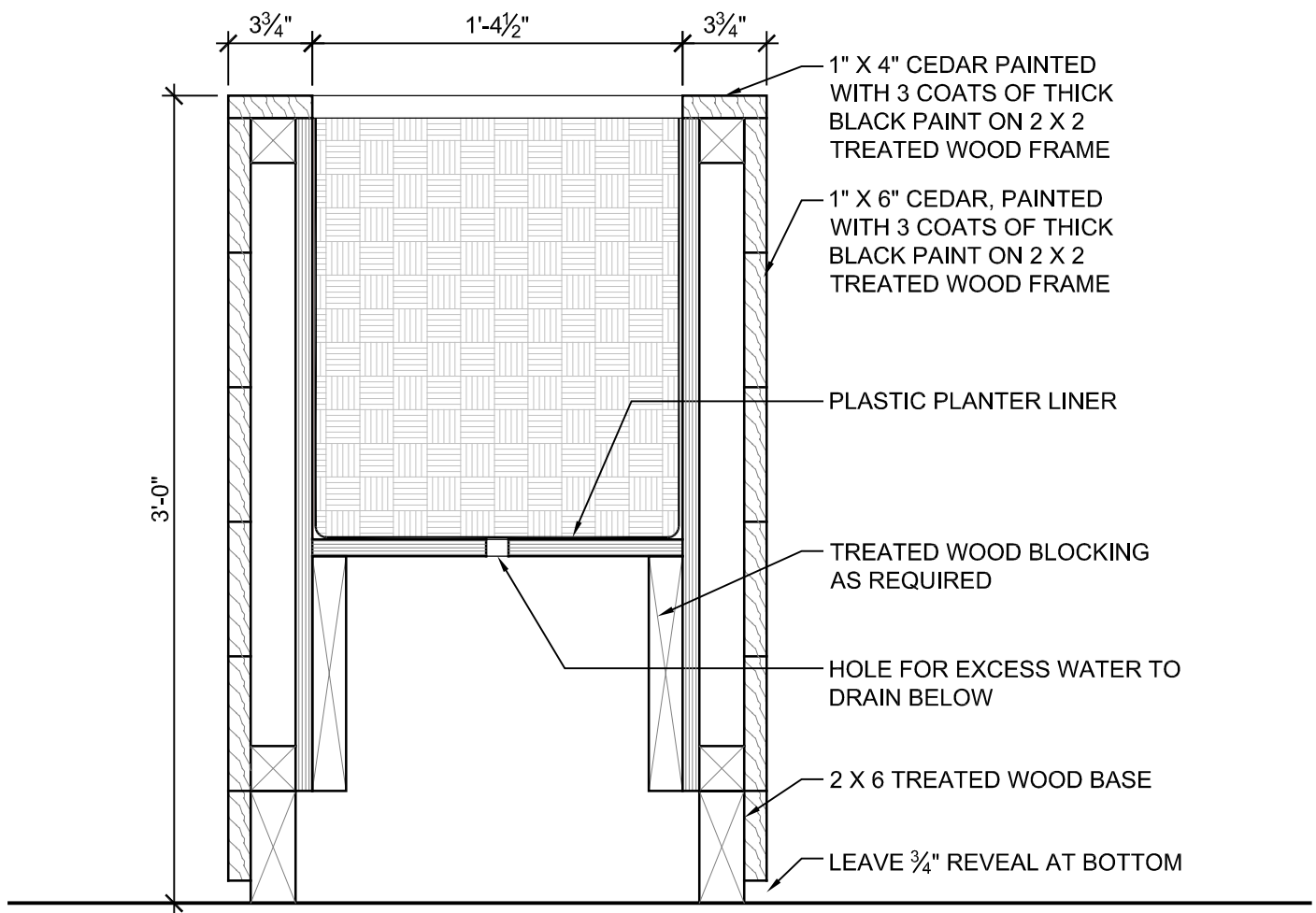
3/4" = 1'-0"



B PATIO PLANTER - ELEVATION

3/4" = 1'-0"





PATIO PLANTER - SECTION

1 1/2" = 1'-0"



Plantings not for consideration.

