



LITESPHERE

The Original Spec Grade Strand Light

New Very High Output (VHO) LED Module



23 times brighter than our standard output

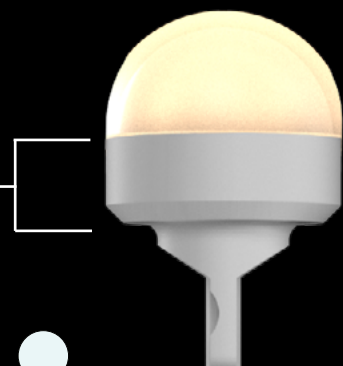
0.96 Watts

91 Lumens

Nichia SMD LEDs

Thermal plastic base for optimal heat dissipation

12V DC (Low voltage safe)



Dimmable



1900K



2700K



3000K



3500K



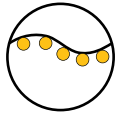
4000K



5000K



Community Decoration - Fairs and Festivals - Restaurants - Street Scapes - Shopping Centers



Strand



12V DC



Shatterproof



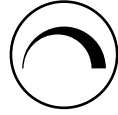
Warranty



IP65

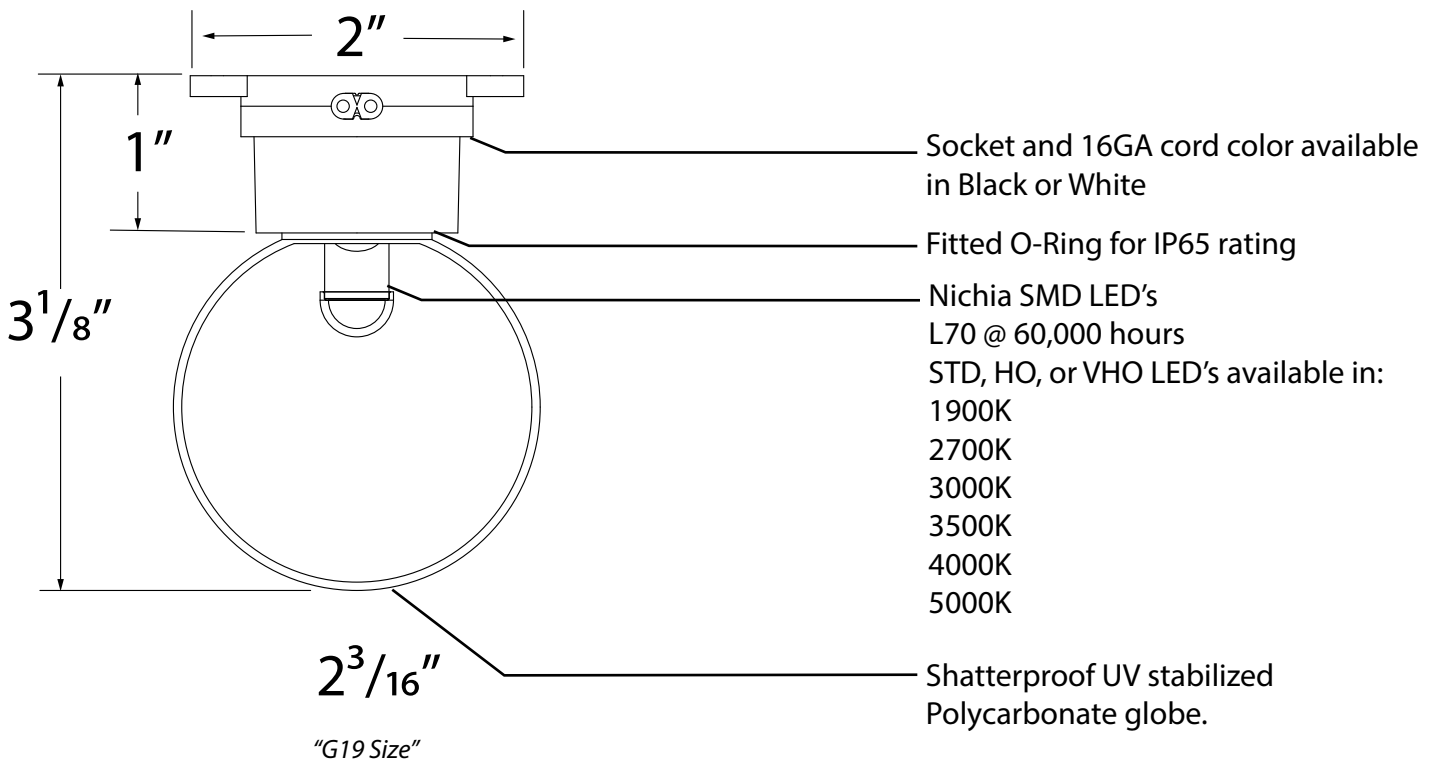


Made in USA

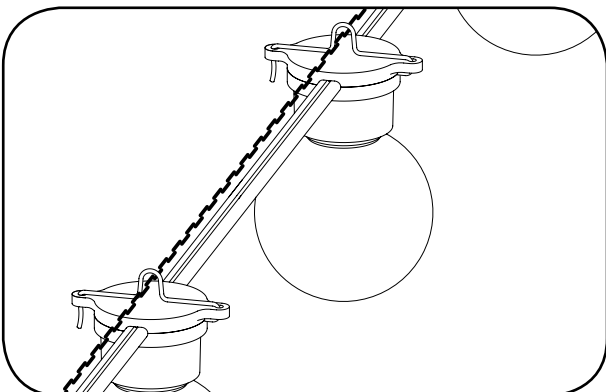


Dimmable

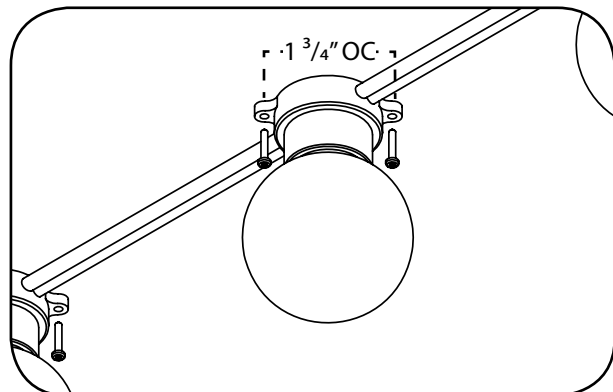
Features



Mounting



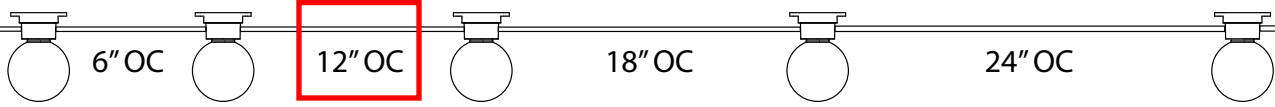
Catenary cable hangers
(Hanger clips included, cable available)



Direct/Surface

Standard Spacing Options & Max Run Chart

(Custom spacing available, please consult factory)

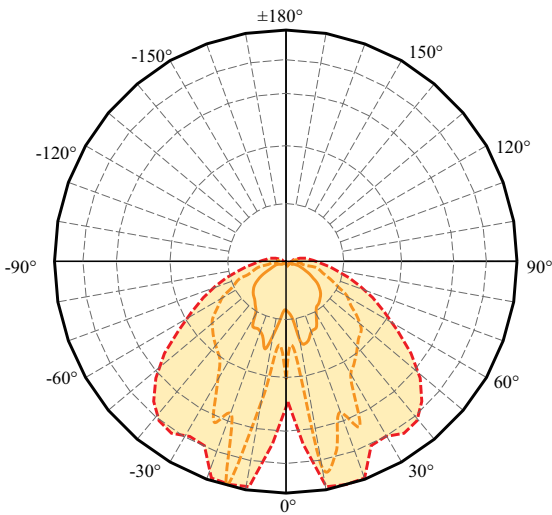


	6" OC			12" OC			18" OC			24" OC		
	STANDARD (S)	HIGH (H)	VERY HIGH (V)	(S)	(H)	(V)	(S)	(H)	(V)	(S)	(H)	(V)
Lumens Per Foot	8	24	182	4	12	91	3	9	68	2	6	45
Watts Per Foot	.2	.52	1.92	.1	.26	.96	.08	.20	.64	.05	.13	.48
*Max Single Run	100'	60'	30'	150'	90'	45'	180'	110'	55'	200'	130'	60'

Lumens Per Watt **STD 40** **HO 46** **VHO 94**

Tested @ 3000K w/ clear globe

*Max run lengths based on Tivoli's recommended lumen drop.



- Standard Output
- - - High Output
- - - Very High Output



Clear
(S, H, V)



Frosted
(S, H, V)



Saber
(V)



Flare
(V)

LITESPHERE
STANDARD BRIGHTNESS
3000K

[Download IES](#)

LITESPHERE
HIGH OUTPUT
3000K

[Download IES](#)

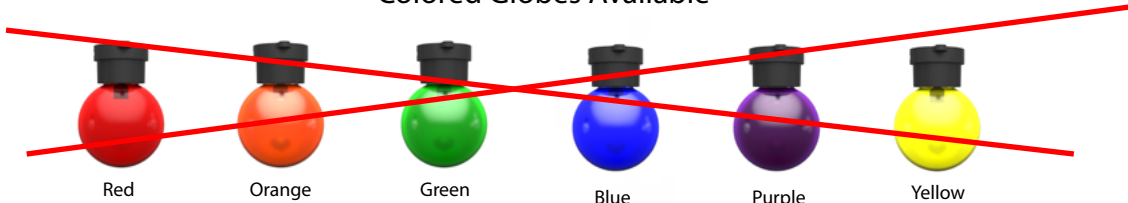
LITESPHERE
VERY HIGH OUTPUT
2700K

[Download IES](#)

LITESPHERE
VERY HIGH OUTPUT
3000K

[Download IES](#)

Colored Globes Available



Red

Orange

Green

Blue

Purple

Yellow



Project: _____

Type: _____ Length: _____

Notes:

Ordering Information



Product	Wire	Spacing	LED Type	CCT	Globe	Voltage
LSL						12
Litesphere	B Black W White	06 6" OC 12 12" OC 18 18" OC 24 24" OC CU custom <small>custom spacing designed and fabricated in our Tustin, CA location.</small>	V Very High Output H High Output S Standard Output	19 1900K 27 2700K 30 3000K 35 3500K 40 4000K 50 5000K <small>(5000K available in Very High Output only)</small>	C Clear F Frosted <small>3500K recommended for color globes</small> Y Yellow R Red O Orange G Green B Blue P Purple Z Varied Colors	12 12V DC



Tivoli factory cuts and prepares all lengths to your specification. Individual lengths and runs must be specified at time of ordering or product will be shipped in max run lengths (see chart on page 5 for max run lengths)

V LED required
S Saber
L Flare

Lengths and Runs

*see page 7 for ordering examples

L _____	Length in feet	Quantity
R _____	Max Run	

Extra Feed Cable

*24" lead included, specify if extra length is required

LS-XEP _____	Extra Lead Wire	B Black	Length in feet
		W White	



Mounting Accessories



LS-CABLE-60 Catenary Cable Kit - 60'
LS-CABLE-110 Catenary Cable Kit - 110'
LS-CABLE-500 Catenary Cable Kit - 500'
 (1/8th inch, includes 2 cables locks for use with loads up to 200lbs)



LS-LOCK-4 Cable Lock 1/8th Cable
 Cable Lock for 1/8th inch cable, Heavy-duty lockable fasteners support loads up to 330 lbs.

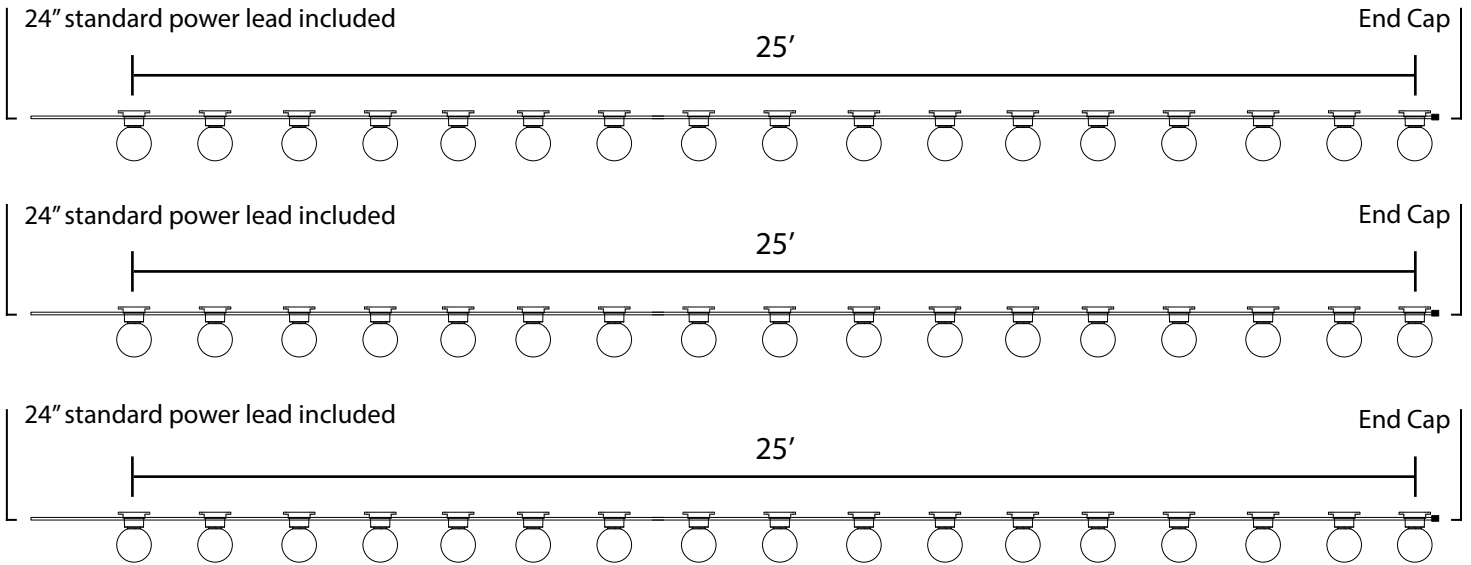


LS-TT Catenary Tensioning Tool
 Catenary Cable Tensioning Tool

Lengths and Run Ordering Examples

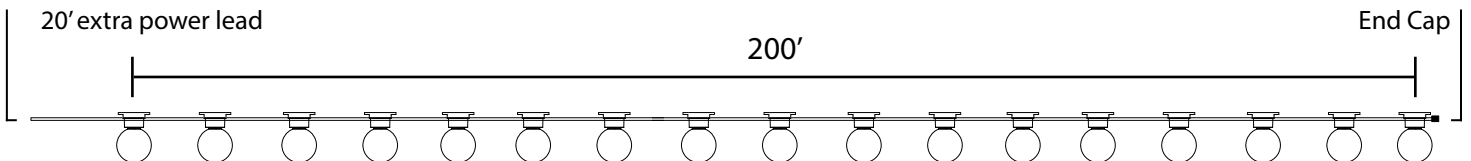
LSL-B-06-V-30-F-12

L25	-	3
Length in feet		Number of Runs

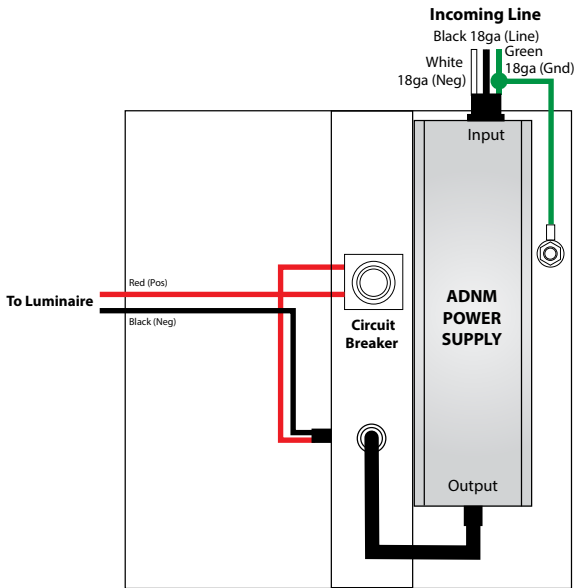


LSL-B-24-S-30-F-12

R	-	1	LS-XEP	-	B	-	20
Max Run		Quantity	Extra Lead Wire		B Black		Length in feet
					W White		



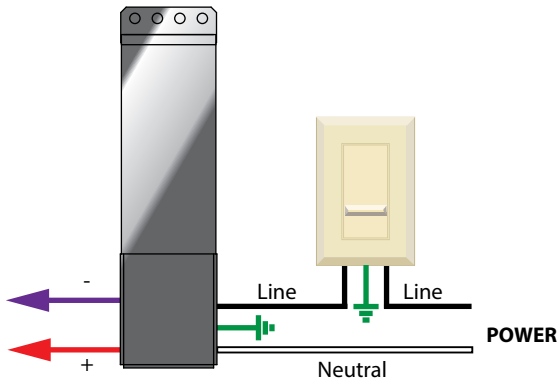
Power Supplies



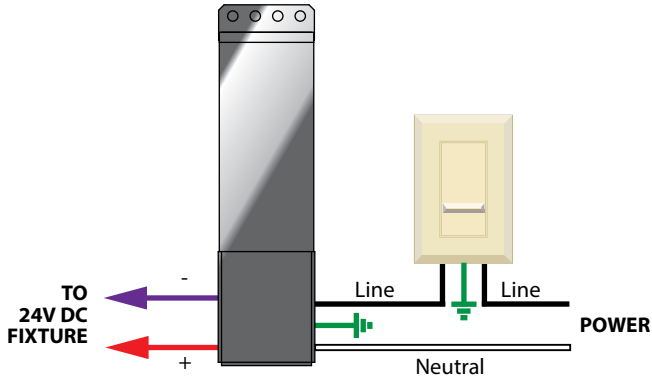
NON DIMMING

CAT NO	PRIMARY AND SECONDARY	TOTAL WATTAGE / AMPS PER BREAKER	MAX RUN LENGTHS				DIMENSIONS	LISTING	
			LED TYPE	6" OC	12" OC	18" OC			24" OC
ADNM-60-1-5-12-D	120-277V AC 12V DC	60W / 1X5A	SB	100'	150'	180'	200'	6.00" W X 6.00" L X 4.00" D	NEMA3R/ UL listed
			HO	60'	90'	110'	130'		
			VHO	30'	45'	55'	60'		
ADNM-150-2-5-12-D	120-277V AC 12V DC	120W / 2X5A	SB	2x100'	2x150'	2x180'	2x200'	12.00" W X 12.00" L X 4.25" D	NEMA3R/ UL listed
			HO	2x60'	2x90'	2x110'	2x130'		
			VHO	2x30'	2x45'	2x55'	2x60'		
ADNM-240-3-5-12-D	120-277V AC 12V DC	180W / 3X5A	SB	3x100'	3x150'	3x180'	3x200'	12.00" W X 12.00" L X 4.25" D	NEMA3R/ UL listed
			HO	3x60'	3x90'	3x110'	3x130'		
			VHO	3x30'	3x45'	3x55'	3x60'		
ADNM-320-4-5-12-D	120-277V AC 12V DC	240W / 4X5A	SB	4x100'	4x150'	4x180'	4x200'	12.00" W X 12.00" L X 4.25" D	NEMA3R/ UL listed
			HO	4x60'	4x90'	4x110'	4x130'		

MLV DIMMING

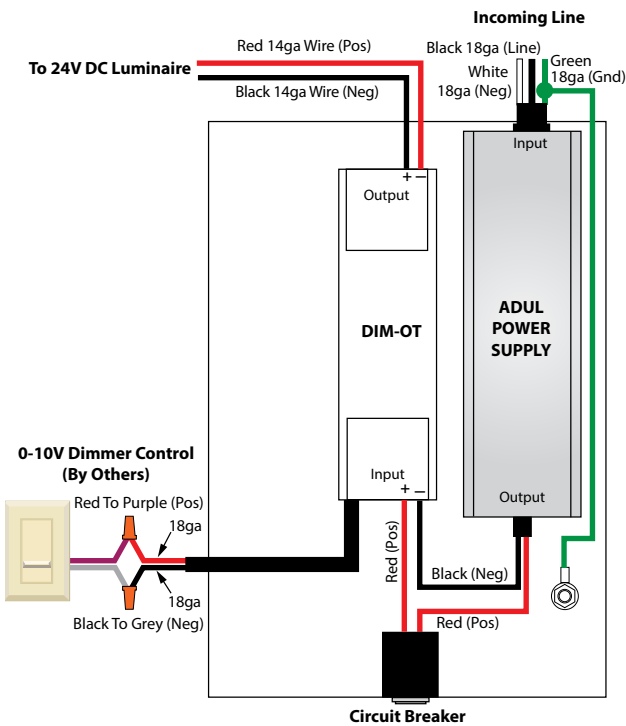


CAT NO	PRIMARY AND SECONDARY	TOTAL WATTAGE / AMPS PER BREAKER	MAX RUN LENGTHS				DIMENSIONS	LISTING	
			LED TYPE	6" OC	12" OC	18" OC			24" OC
JT-60-1-5-12-D	120V AC 12V DC	60W / 1X5A	SB	100'	150'	180'	200'	4.25"W X 8.5"L X 3.25"D	NEMA3R/ cETLus
			HO	60'	90'	110'	130'		
			VHO	30'	45'	55'	60'		
JTH-60-1-5-12-D	277V AC 12V DC	60W / 1X5A	SB	100'	150'	180'	200'	4.25"W X 8.5"L X 3.25"D	NEMA3R/ cETLus
			HO	60'	90'	110'	130'		
			VHO	30'	45'	55'	60'		
JT-240-4-5-12-D	120V AC 12V DC	240W / 4X5A	SB	4x100'	4x150'	4x180'	4x200'	8.5"W X 16"L X 4.5"D	NEMA3R/ cETLus
			HO	4x60'	4x90'	4x110'	4x130'		
			VHO	4x30'	4x45'	4x55'	4x60'		
JTH-240-4-5-12-D	277V AC 12V DC	240W / 4X5A	SB	4x100'	4x150'	4x180'	4x200'	8.5"W X 16"L X 4.5"D	NEMA3R/ cETLus
			HO	4x60'	4x90'	4x110'	4x130'		
			VHO	4x30'	4x45'	4x55'	4x60'		
EMEC601512	120V AC 12V DC	60W / 5A	SB	100'	150'	180'	200'	3.03"W X 14.3"L X 2.24"D	IP67/ cETLus
			HO	60'	90'	110'	130'		
			VHO	30'	45'	55'	60'		
EM-ML601512B	120V AC 12V DC	60W / 5A	SB	100'	150'	180'	200'	3.93"W X 8.13"L X 1.59"D	NEMA3R/ cETLus
			HO	60'	90'	110'	130'		
			VHO	30'	45'	55'	60'		
EMML-H601512B	277V AC 12V DC	60W / 5A	SB	100'	150'	180'	200'	3.93"W X 8.13"L X 1.59"D	NEMA3R/ cETLus
			HO	60'	90'	110'	130'		
			VHO	30'	45'	55'	60'		



ELV DIMMING

CAT NO	PRIMARY AND SECONDARY	TOTAL WATTAGE / AMPS PER BREAKER	MAX RUN LENGTHS				DIMENSIONS	LISTING	
			LED TYPE	6" OC	12" OC	18" OC			24" OC
EMEC601512	120V AC 12V DC	60W / 5A	SB	100'	150'	180'	200'	3.03" W X 14.3" L X 2.24" D	cETLus
			HO	60'	90'	110'	130'		
			VHO	30'	45'	55'	60'		
EM-ML601512B	120V AC 12V DC	60W / 5A	SB	100'	150'	180'	200'	3.93" W X 8.13" L X 1.59" D	cETLus
			HO	60'	90'	110'	130'		
			VHO	30'	45'	55'	60'		
EMML-H601512B	277V AC 12V DC	60W / 5A	SB	100'	150'	180'	200'	3.93" W X 8.13" L X 1.59" D	cETLus
			HO	60'	90'	110'	130'		
			VHO	30'	45'	55'	60'		



0-10V DIMMING

CAT NO	PRIMARY AND SECONDARY	TOTAL WATTAGE / AMPS PER BREAKER	MAX RUN LENGTHS				DIMENSIONS	LISTING	
			LED TYPE	6" OC	12" OC	18" OC			24" OC
ADNM-60-1-5-12-DOT	120-277V AC 12V DC	60W / 1X5A	SB	100'	150'	180'	200'	6.00" W X 6.00" L X 4.00" D	NEMA3R/ UL listed
			HO	60'	90'	110'	130'		
			VHO	30'	45'	55'	60'		
ADNM-150-2-5-12-DOT	120-277V AC 12V DC	120W / 2X5A	SB	2x100'	2x150'	2x180'	2x200'	12.00" W X 12.00" L X 4.25" D	NEMA3R/ UL listed
			HO	2x60'	2x90'	2x110'	2x130'		
			VHO	2x30'	2x45'	2x55'	2x60'		
ADNM-240-3-5-12-DOT	120-277V AC 12V DC	180W / 3X5A	SB	3x100'	3x150'	3x180'	3x200'	12.00" W X 12.00" L X 4.25" D	NEMA3R/ UL listed
			HO	3x60'	3x90'	3x110'	3x130'		
			VHO	3x30'	3x45'	3x55'	3x60'		
ADNM-320-4-5-12-DOT	120-277V AC 12V DC	240W / 4X5A	SB	4x100'	4x150'	4x180'	4x200'	12.00" W X 12.00" L X 4.25" D	NEMA3R/ UL listed
			HO	4x60'	4x90'	4x110'	4x130'		
			VHO	4x30'	4x45'	4x55'	4x60'		