



Products / Exterior / HardiePanel® Vertical Siding

For projects that call for vertical siding, HardiePanel vertical siding provides value and long-lasting performance. As with all of our exterior products, HardiePanel is Engineered for Climate® and will stand up against the harshest weather conditions. When combined with HardieTrim® Batten boards, HardiePanel vertical siding gives you a traditional board-and-batten look. HardiePanel vertical siding comes with our strongest warranty ever; a 30 year nonprorated, transferable, limited warranty.

- PRODUCT INFORMATION
- WARRANTY
- INSTALLATION
- FAQ

Your zip code has been saved as: 43017

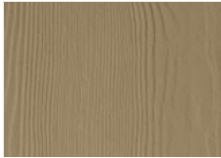
Change your location:



The above HardieZone products are suited for your local climate. [Learn more.](#)

[View all products](#)

HardiePanel Cedarmill® Vertical Siding



Thickness: 5/16"  
Weight: 2.3 lbs./sq. ft.

WIDTHS	4'X8'	4'X9'	4'X10'
COLORPLUS®	✓	✓	✓
PRIMED	✓	✓	✓

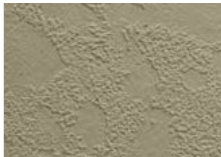
Smooth



Thickness: 5/16"  
Weight: 2.3 lbs./sq. ft.

WIDTHS	4'X8'	4'X9'	4'X10'
COLORPLUS®	✓	✓	✓
PRIMED	✓	✓	✓

Stucco



Thickness: 5/16"  
Weight: 2.3 lbs./sq. ft.

WIDTHS	4'X8'	4'X9'	4'X10'
COLORPLUS®	✓	✓	✓
PRIMED	✓	✓	✓

Sierra 8



Thickness: 5/16"  
Weight: 2.3 lbs./sq. ft.

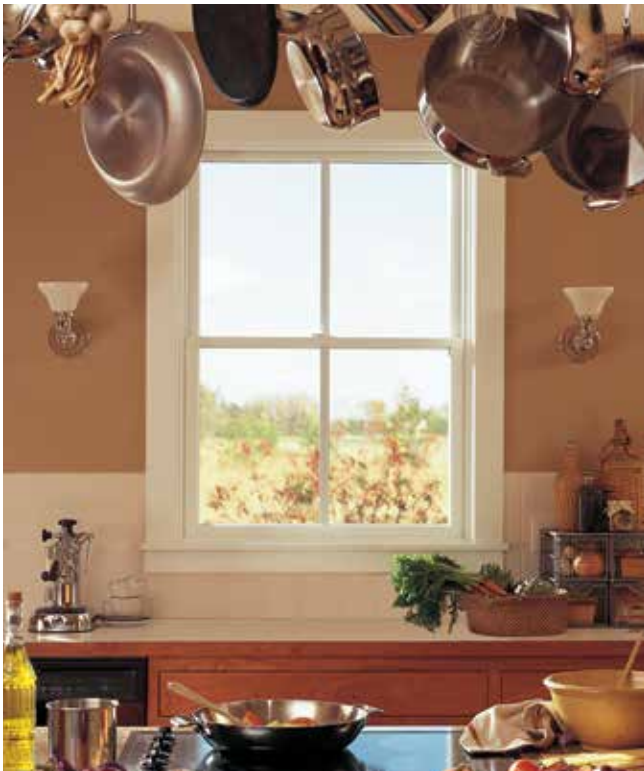
WIDTHS	4'X8'	4'X9'	4'X10'
COLORPLUS®	✓	✓	✓
PRIMED	✓	✓	✓

**STONECRAFT**  
INDUSTRIES™

Texture for Living.



**OLD OHIO HERITAGE**



## TILT-WASH DOUBLE-HUNG WINDOWS

Andersen® 400 Series tilt-wash double-hung windows are engineered to provide outstanding performance and style. Combined with the tilt-to-clean sash, it's easy to see why it's our best selling double-hung. Exteriors use three different levels of protection from the elements. On the inside you have the choice of natural pine or low-maintenance white, dark bronze or black\* finish. For added style there is a wide range of grille patterns and hardware options.

### DURABLE

- Virtually maintenance-free
- Perma-Shield® exteriors never need painting and won't peel, blister, flake or corrode\*\*
- Frame exterior is protected by a tough vinyl cover that resists dents and repels water and provides long-lasting protection
- Available with Stormwatch® protection for coastal areas

### ENERGY EFFICIENT

- Weather-resistant construction for greater comfort and energy efficiency
- Weatherstripping is designed to seal out drafts, wind and water
- Variety of Low-E4® glass options are available to help control heating and cooling costs in any climate
- Many 400 Series tilt-wash double-hung windows have options that make them ENERGY STAR® v. 6.0 certified throughout the U.S.



### BEAUTIFUL

- Seven exterior color options
- Natural pine, white, dark bronze or black\* interiors
- Add style with grilles, exterior trim or patterned glass

### EXTERIOR COLORS



\*Dark Bronze and Black interiors are only available with Dark Bronze and Black exteriors respectively. See your Andersen dealer for availability. \*\*Visit [andersenwindows.com/warranty](http://andersenwindows.com/warranty) for details. "ENERGY STAR" is a registered trademark of the U.S. Environmental Protection Agency.



# Sunbelt Shutters

America's Choice for Custom Exterior Shutters

## Sunbelt Shutters

11021 Willingham Drive Huntsville, AL 35803

Sales: 1.888.778.4774

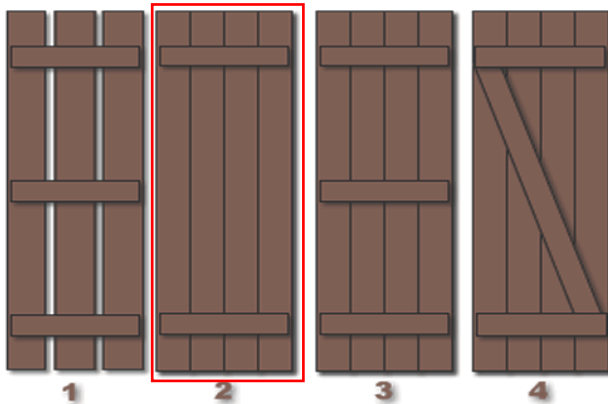
Fax: 1.866.526.8347

sales@sunbeltshutters.com

### Tudor Board and Batten Shutters



- Styles:** Open or Closed. Open has 1/4" gap between each board and requires a 3rd batten.
- Sizes:** Custom Sized for your window to the 1/4 inch.  
Max Width: 48"  
Max Length: 108"
- Material:** Select Grade wood: Southern Yellow Pine, California Redwood, Bald Cypress, & Western Red Cedar.  
Common #2 Grade wood: Rough Sawn Cedar  
Composite: Extira. Composite only comes in Closed style, as it is a solid sheet with V-grooves routed out to appear as individual boards.
- Options:** Unfinished: Sanded (not rough cedar), some putty if needed, & ready to paint.  
Primed: Benjamin Moore Oil Based Primer (Free for B&B)  
Stain-grade: Hand selected best pieces of wood in lot (N/A for rough-sawn cedar). Stain-grade putty used if needed.  
Z-Bar, 3rd Batten, Specify number vertical boards.



#### Styles

1. Standard Open (3rd Batten required)
2. Standard Closed
3. Standard Closed with additional Batten  
Recommended for shutters >51".
4. Standard Closed with "Z" Bar Option

Tudor Board and Batten Shutter Specifications

Wood	Pine	Cedar	Rough-Sawn Cedar	Cypress	Redwood
Common Name	Southern Yellow Pine	Western Red Cedar	Western Red Cedar	Bald Cypress	California Redwood
Species	<i>Pinus plastris</i>	<i>Thuja plicata</i>	<i>Thuja plicata</i>	<i>Taxodium distichum</i>	<i>Sequoia sempervirens</i>
Vertical Boards	1" Thick	1.5" Thick	.75" Thick	1" Thick	1.5" Thick
Battens	1" Thick x 3.5" Tall	1" Thick x 3.5" Tall	.75" Thick x 3.5" Tall	1" Thick x 3.5" Tall	1" Thick x 3.5" Tall

Boards and battens are beveled 1/4" on edges. Battens are 1/2" from sides and 7" from top and bottoms of shutters, except for small sizes for which they are 5". Unless requested the top batten is placed 7" below the arched top springline.

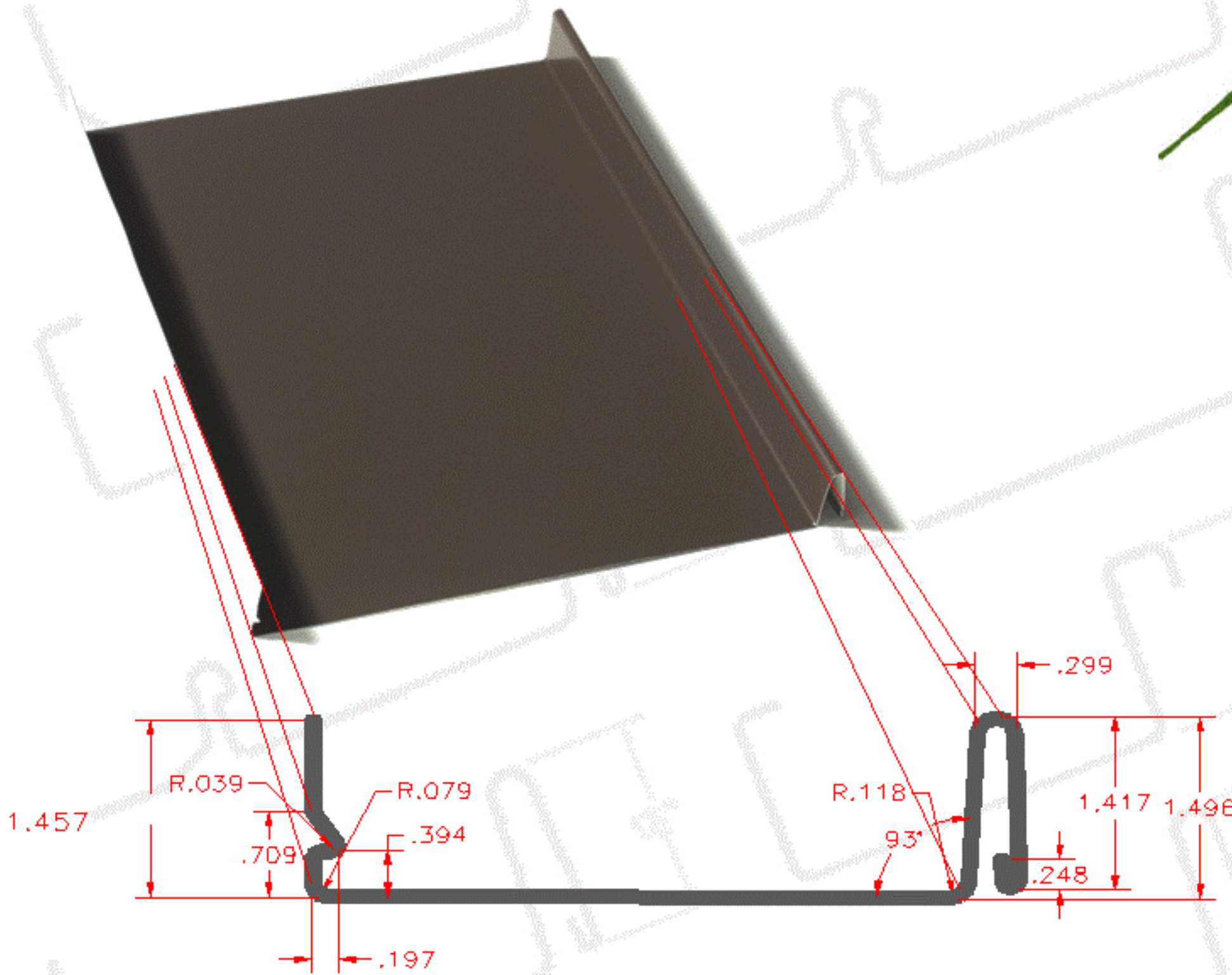
[www.SunbeltShutters.com](http://www.SunbeltShutters.com)

[www.SunbeltShutters.com/specsheet/bahama-shutter.pdf](http://www.SunbeltShutters.com/specsheet/bahama-shutter.pdf)

# 1 1/2" SNAP-LOCK PANEL



Hilliard, Ohio  
 PH: 614-876-4280 / FX: 614-771-7625  
 www.metalformedgoods.com



## Advantages

- ◆ Nominal 1 1/2" seam height with hidden fasteners
- ◆ Interlocking design reduces installation time
- ◆ Available widths from 11.5" to 19.5"
- ◆ 1 piece floating clip allows for thermal expansion
- ◆ Integral locking seams do not require mechanical seaming
- ◆ 30 Year Finish Warranty
- ◆ 24 gauge Kynar steel standard

## Materials:

24 gauge galvanized / galvalume steel (Standard)  
 22 & 26 gauge galvanized / galvalume steel  
 .032 Aluminum (Kynar or Anodized)  
 16 & 20 ounce copper

## Performance:

ASTM 1592 Wind Uplift  
 ASTM 283 Air Infiltration  
 ASTM 331 Water Penetration  
 ASTM 330 Structural Performance

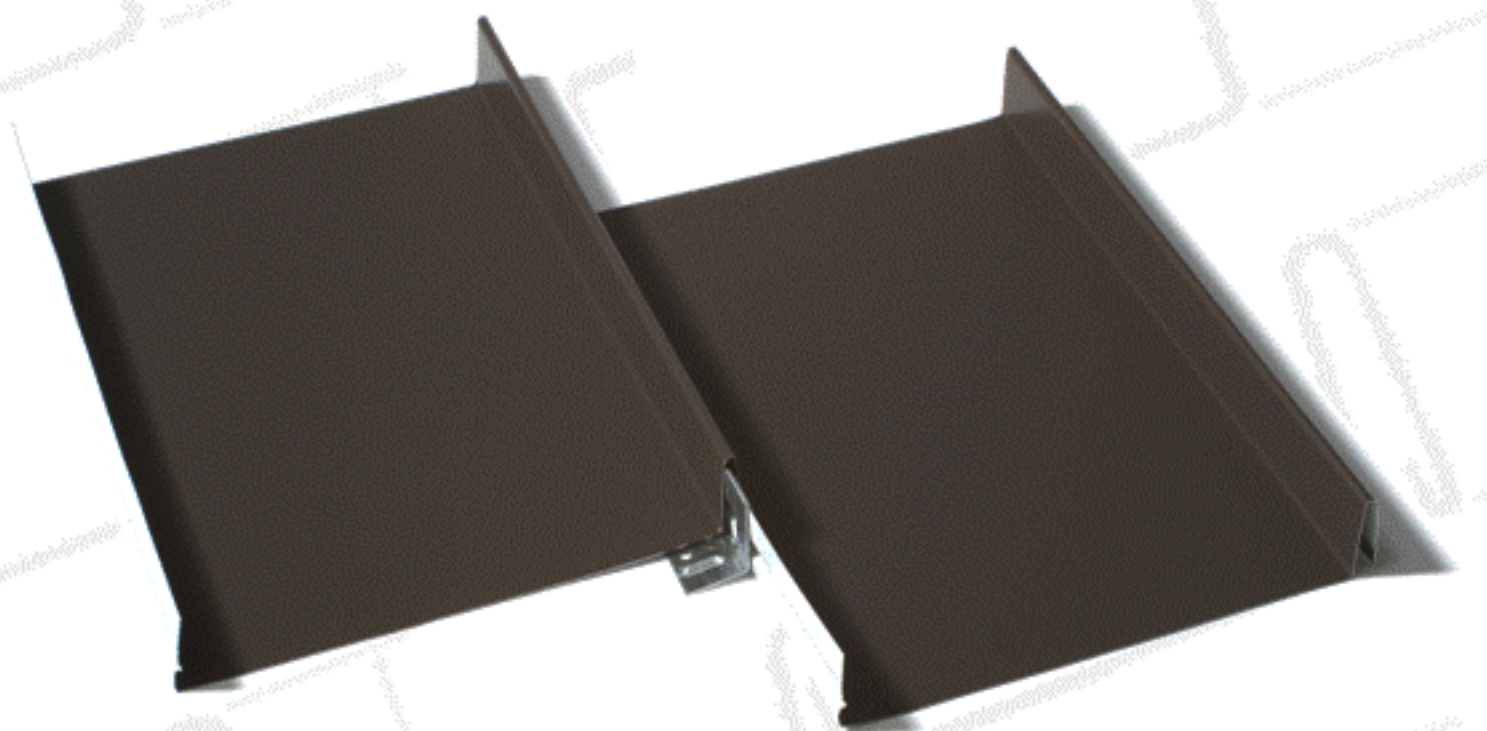
Load Span Table for 1 1/2" Snap Lock Panel  
 16" Width

Material	24 Gauge		
SPAN	THREE EQUAL SPANS		
(FT)	W (PSF)	RE	RI
2	27.59	22.1	60.7
2.5	25.64	25.6	70.5
3	24.3	29.2	80.2
3.5	23.38	32.7	90
4	22.68	36.3	99.8

W = Allowable Uniform Load

RE = End Support Reaction (#/ft)

RI = Intermediate Support Reaction (#/ft)





METAL ROOFING SYSTEMS

LIKE US on Facebook

METAL FORMED GOODS  
CORPORATE OFFICE  
5070 NIKE DRIVE  
HILLIARD, OH 43026  
PHONE: 614-876-4280  
FAX: 614-876-8850  
[Email Us](#)

<a href="#">About</a>	<a href="#">Benefits of Metal Roofing</a>	<a href="#">Gallery</a>	<a href="#">Products</a>	<a href="#">Colors</a>	<a href="#">Contact Us</a>	<a href="#">Resources</a>	
-----------------------	---	-------------------------	--------------------------	------------------------	----------------------------	---------------------------	--

## Colors

Metal Roofing panels are available in a wide spectrum of color options. These rich and vibrant colors are produced with either Kynar 500® or Hylar 5000® resins, which provide superior color retention, and allow us to offer non-prorated coating warranties for most applications. Please contact us for more information and for a more accurate printed color booklet.

### [Virtual Roof Builder](#)

See how available colors will look with the [COOLR Virtual Roof Builder](#).



[Print a PDF version of available colors](#)

\*Available at a slight price premium.

Colors shown are matched as accurately as possible, but may vary slightly from finished product. Coating warranty varies for Regal Red, Matte Black, Copper, Silver, Champagne, and Pre-Weathered Galvalume. Metallics are warranted for chip, crack, and peel only. Please call for details.