

TRIM STONE



(<https://www.casadisassi.com/sites/default/files/styles/colorbox/public/2019-04/ACC--TRIM-STONE.png?itok=G2HwMh9S>)

Trim Stones are available in a box of 8.

SIZE

6" x 8"



COLOR



CREAM



FUMO



MEZZO



SAGE



TERRA

\$30.05 / BOX

WEIGHT:

45 lb

CASA DI SASSI

167 Maple Street

(<https://www.google.com/maps/place/Premier+Stone+Products+Inc/@40.749897,-81.8402279,15.04z/data=!4m5!3m4!1s0x0:0x8f54d457cc476d1a!8m2!3d40.749907!4d-81.833138>)

PO Box 148

(<https://www.google.com/maps/place/Premier+Stone+Products+Inc/@40.749897,-81.8402279,15.04z/data=!4m5!3m4!1s0x0:0x8f54d457cc476d1a!8m2!3d40.749907!4d-81.833138>)

Apple Creek, OH 44606

(<https://www.google.com/maps/place/Premier+Stone+Products+Inc/@40.749897,-81.8402279,15.04z/data=!4m5!3m4!1s0x0:0x8f54d457cc476d1a!8m2!3d40.749907!4d-81.833138>)

Toll Free: 866-995-CASA
(tel:8669952272)

Phone: 330-830-9760
(tel:3308309760)

Fax: 330-830-9790

[DOWNLOADS \(/DOWNLOADS\)](#) [PRIVACY POLICY \(/PRIVACY-POLICY\)](#) [WARRANTY \(/WARRANTY-REGISTRATION\)](#)

[DEALER/REP REGISTRATION \(/REGISTER/DEALER\)](#)

WATERTABLE



(<https://www.casadisassi.com/sites/default/files/styles/colorbox/public/2019-05/Watertable.jpg?itok=wWzDHZ4>)

Watertables are available in a box of 7.

SIZE

3" x 3" x 24"



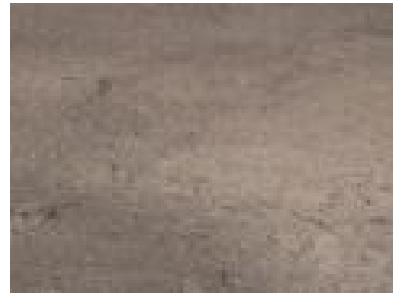
COLOR



CREAM



FUMO



MEZZO



SAGE



TERRA

\$66.99 / BOX

WEIGHT:

74 lb

CASA DI SASSI

167 Maple Street

(<https://www.google.com/maps/place/Premier+Stone+Products+Inc/@40.749897,-81.8402279,15.04z/data=!4m5!3m4!1s0x0:0x8f54d457cc476d1a!8m2!3d40.749907!4d-81.833138>)

PO Box 148

(<https://www.google.com/maps/place/Premier+Stone+Products+Inc/@40.749897,-81.8402279,15.04z/data=!4m5!3m4!1s0x0:0x8f54d457cc476d1a!8m2!3d40.749907!4d-81.833138>)

Apple Creek, OH 44606

(<https://www.google.com/maps/place/Premier+Stone+Products+Inc/@40.749897,-81.8402279,15.04z/data=!4m5!3m4!1s0x0:0x8f54d457cc476d1a!8m2!3d40.749907!4d-81.833138>)

Toll Free: 866-995-CASA
(tel:8669952272)

Phone: 330-830-9760
(tel:3308309760)

Fax: 330-830-9790

[DOWNLOADS \(/DOWNLOADS\)](#) [PRIVACY POLICY \(/PRIVACY-POLICY\)](#) [WARRANTY \(/WARRANTY-REGISTRATION\)](#)

[DEALER/REP REGISTRATION \(/REGISTER/DEALER\)](#)



Fiberglass and Steel Entry Doors



Architect Series®

- The richest, most beautiful and realistic prefinished wood-grain or smooth fiberglass in the industry – available prefinished in seven stain colors, 14 paint colors or unfinished.
- Sturdy, substantial door panel that feels like a wood door when it swings open.
- Straight-edge door panel lined in real oak with an optional mahogany frame gives the illusion of a solid wood door.
- Pella's exclusive AdvantagePlus™ protection system and PerformaSeal™ design provide superior weather resistance.

Pella®

- Choose stainable or paintable wood-grained fiberglass – or paintable Smooth fiberglass or steel.
- Panel can arrive unfinished or prefinished in seven stain colors or 14 paint colors.
- Pella's exclusive AdvantagePlus™ protection system and PerformaSeal™ design provide superior weather resistance.

Encompass by Pella®

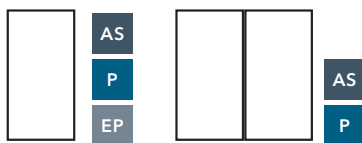
- Affordable, durable performance backed by Pella
- Selective paints, stains, glass and panel options to complement any style.
- Elevated frame design helps guard against damaging moisture.



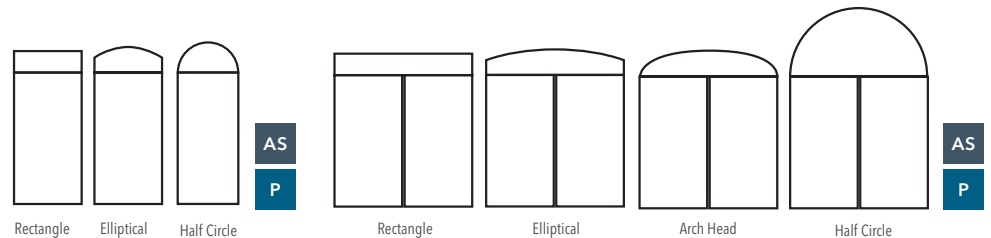
Pella Fiberglass and Steel Entry Door System Warranty*

* Available only with optional AdvantagePlus™ Protection System.

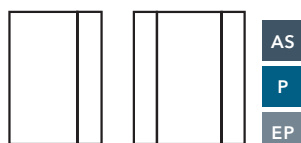
Single and Double Doors



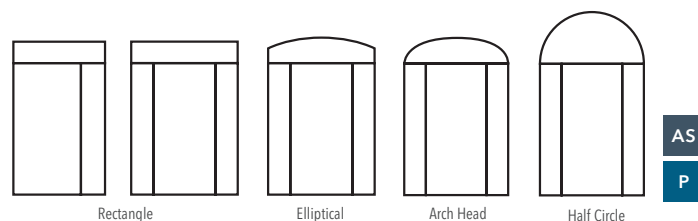
Single and Double Doors with Transoms



Single Door with Sidelights



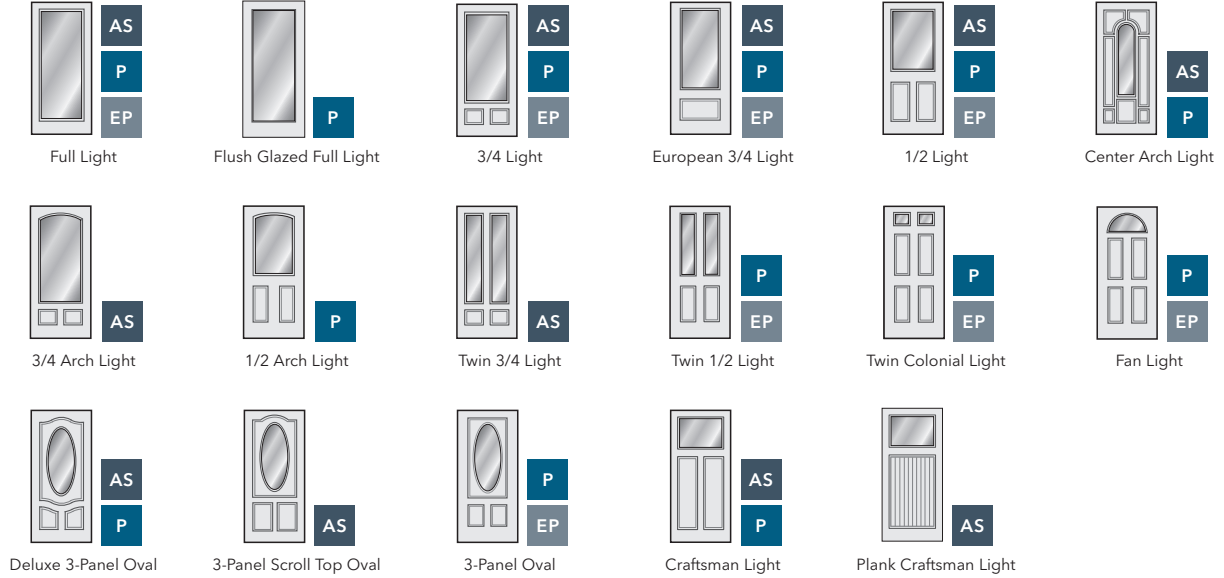
Single Door with Sidelights and Transoms



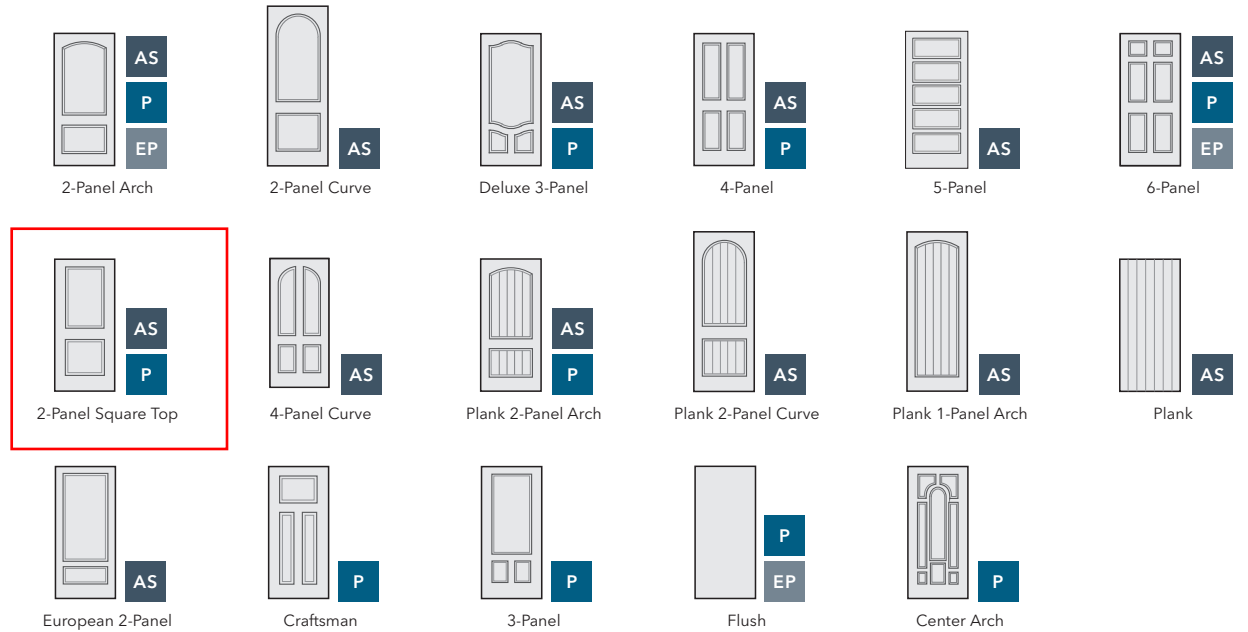
Transoms are available in Aluminum-Clad frame only. Availability of Aluminum-Clad frame transom shapes differ with decorative glass type.

Panel Options

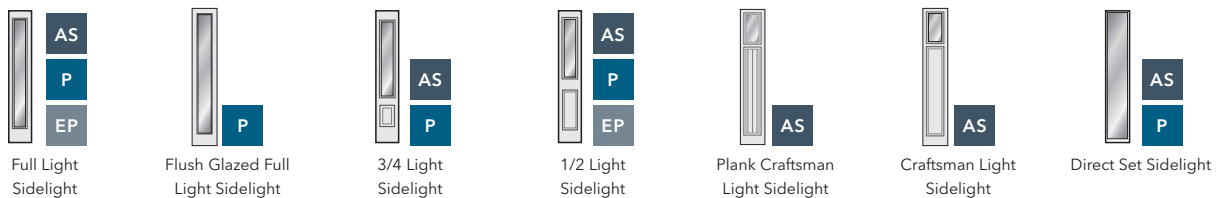
Glass Panels



Solid Panels



Sidelights



HardieShingle®

Thickness 1/4 in



STAGGERED EDGE PANEL

Length	48 in
Height	15.25 in
Exposure	6 in
Prime Pcs/Pallet	100
ColorPlus Pcs/Pallet	100
Sq/Pallet	2
Pcs/Sq	50.0

STATEMENT COLLECTION™

DREAM COLLECTION™

PRIME



STRAIGHT EDGE PANEL

Length	48 in
Height	15.25 in
Exposure	7 in
Prime Pcs/Pallet	86
ColorPlus Pcs/Pallet	86
Sq/Pallet	2
Pcs/Sq	43.0

STATEMENT COLLECTION™

DREAM COLLECTION™

PRIME



HALF ROUNDS*

Length	48 in
Height	15.25 in
Exposure	7 in
Prime Pcs/Pallet	86
Sq/Pallet	2
Pcs/Sq	43.0

STATEMENT COLLECTION™

DREAM COLLECTION™

PRIME

*Available in Detroit District only



HARDIETRIM® BOARDS 4/4 RUSTIC

With a wood-like texture, this trim has vintage appeal—and it's warp- and rot-resistant. Available in Statement Collection products, Dream Collection products, or primed for paint.

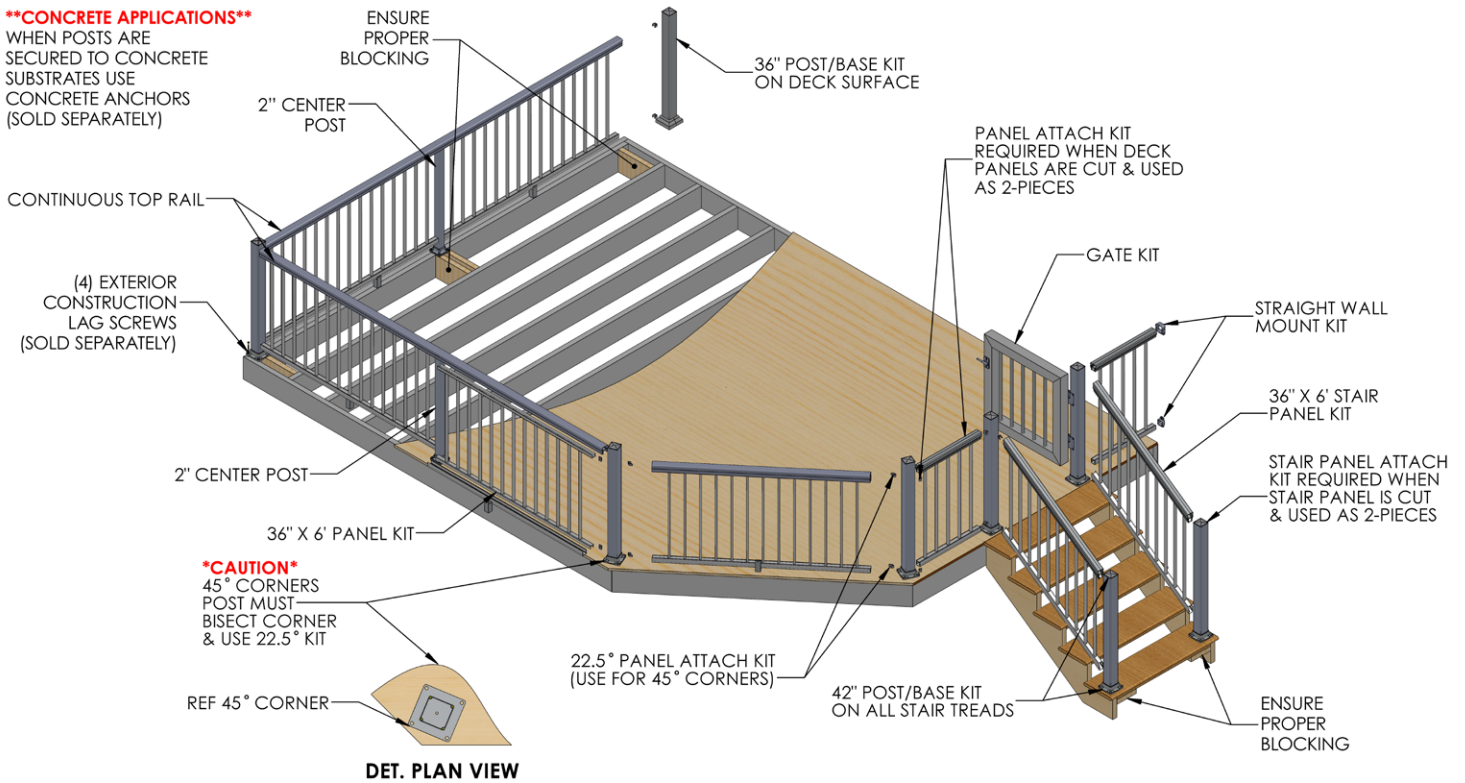


THE STATEMENT COLLECTION™

Classic shades—engineered with long-lasting ColorPlus® Technology—will make a statement that resonates for generations. The tried and true colors of James Hardie's Statement Collection™ products were designed for every home. They're our most popular hues. And they are readily available in your region.



Installing Impression Rail™ Express Aluminum Railing System



Important Note:

Prior to construction, check with your local regulatory agency for special code requirements in your area.

Common railing height is 36" or 42". Post spans will vary depending on job site conditions. Never span more than 8' on-center between railing posts. Spans longer than 12' in length will require reduced post spans. For all other applications, consult a design professional or an AZEK railing representative for more information. Read instructions completely to get an understanding of how the product goes together and how each piece affects the other.

Suggested Tools:

- Appropriate fasteners for mounting posts to deck
- Miter saw with carbide-tipped non-ferrous blade
- Cordless drill
- Tape measure
- Level
- Power cords, drop sheets and safety glasses
- 3/16" Drill bit
- 6" #2 Square drive bit
- Installation jig (optional)

Visit www.timbertech.com/installation to view installation videos.

Consult your local building codes for guard and handrail requirements.

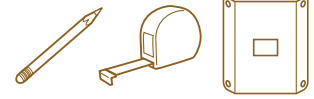


Important Note:

Actual Level Panel Lengths Are As Follows:

- 6' Panels = 69.43"
- 8' Panels = 91.31"
- 3" posts are required to reach 6' & 8' lengths

1 Determine All Posts Needed and Prepare (end, center or corner)



Important Note:

3" posts are required to reach 6' and 8' lengths. 2" posts must be set in-line to panel. **Do not install post caps and vinyl post base covers until railing assembly is completed.**

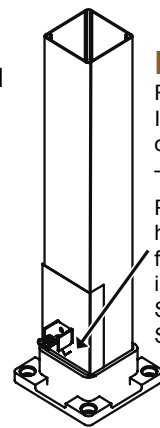
Install Lower Deck Rail Clips – Two Options:

Option A - When No Installation Jig Is Available

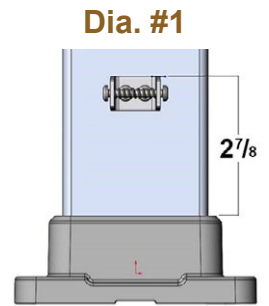
- Measure 2 7/8" from top of casting shoulder and place a pencil mark for location of the top edge of the rail clip. (Dia. #1)
- Center clip on post and secure with (2) - #8x3/4" self-drilling screws. Clips are included in the Panel Kits.

Option B - Using Installation Jig (Sold separately. Accessory pack includes Installation Jig and Touch-up paint.)

- Place Installation Jig (w/arrow facing base plate) on top of base plate upper edge. (Dia. #2)
- Place clip in hole and fasten with (2) - #8x3/4" self-drilling screws. Clips are included in the Panel Kits.

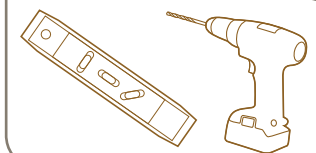


Dia. #2
Rest Installation Jig on Base Plate – Arrow Down
Place Clip in hole, hold clip firmly while installing (2) Self-Drilling Screws.

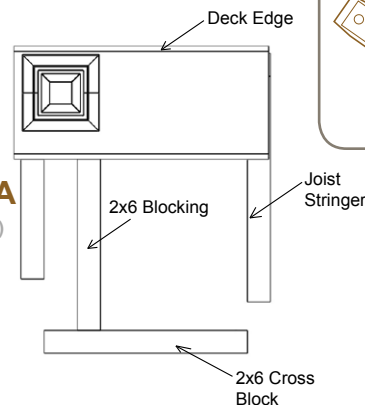


2 How to Secure 3" Posts to Deck

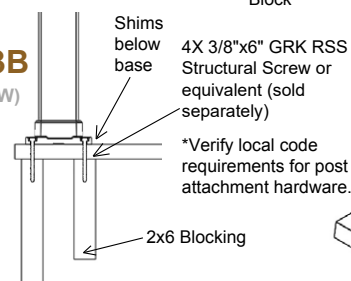
- Install proper post blocking (Dia. #3A & 3B). Use proper attachment screws or anchors shown in diagram. (Hardware for post attachment are not provided with the posts.)
- With 3/16" drill bit, pre-drill through deck boards and into blocking. (Dia. #3C)
- Drill a 5/8" hole in center of four deck screw holes for lighting wires (optional).
- Level and plumb post using shims.
- Secure posts to deck frame with suggested screws. (Dia. #3B)
- *Verify local code requirements for post attachment hardware.
- Install post caps (after panels are installed). (Dia. #4)



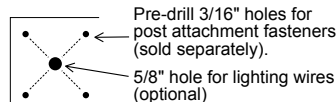
Dia. #3A
(TOP VIEW)



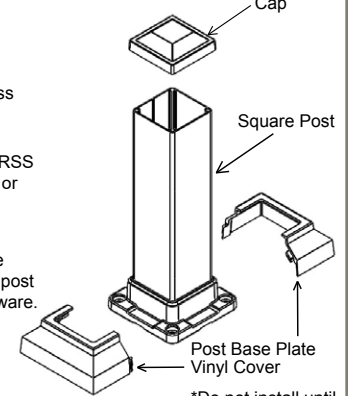
Dia. #3B
(SIDE VIEW)



Dia. #3C
(TOP VIEW)



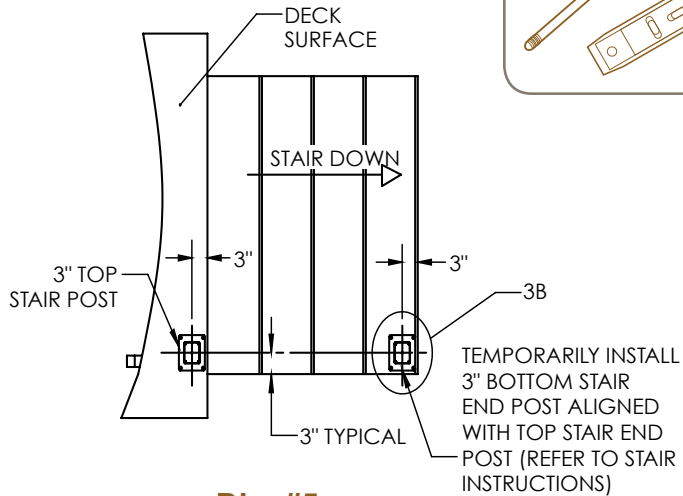
Dia. #4



*Do not install until railing assembly is completed.

3 Install Stair End Posts (if applicable)

- Temporarily install end stair post so rail centerline aligns with top stair posts installed in Step 1 (if applicable). Recommended post installation locations are shown. (Dia. #5) Confirm with local code officials before installing stair rail sections or stair rail posts to ensure compliance with local code requirements.



Dia. #5

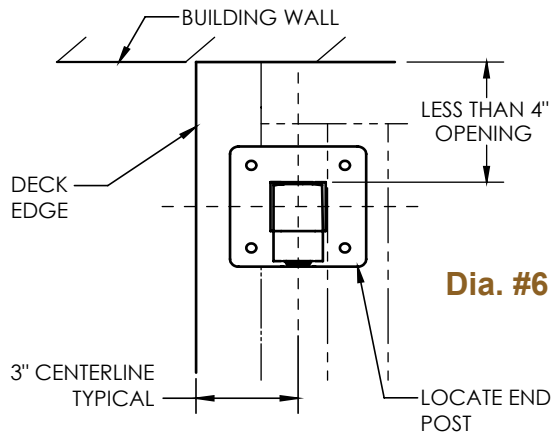
4 Install End Posts (if applicable)

Install posts at all end locations with maximum gap between post and wall to be less than a 4" opening. (Dia. #6)



Important Note:

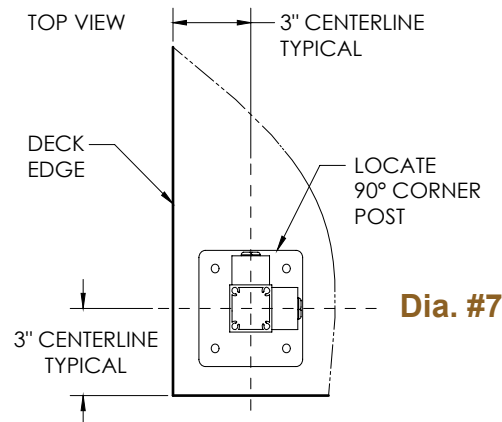
3" posts are required at all transitions. 2" posts may not be used to start/end a run or to form a corner.



Dia. #6

5 Install 90-degree Corner Posts

Position post on same 3" centerline (typical) and temporarily fasten using a single fastener through base plate mounting hole. (Dia. #7)

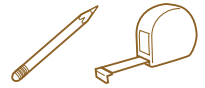
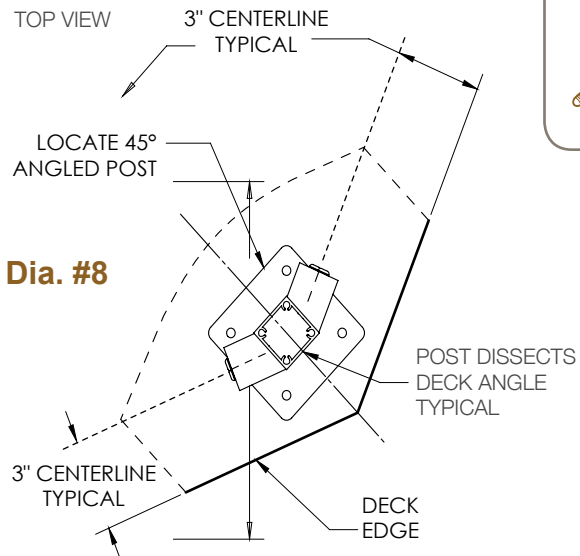


Dia. #7

6 Install 45° Corner Posts

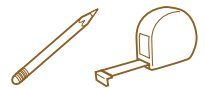
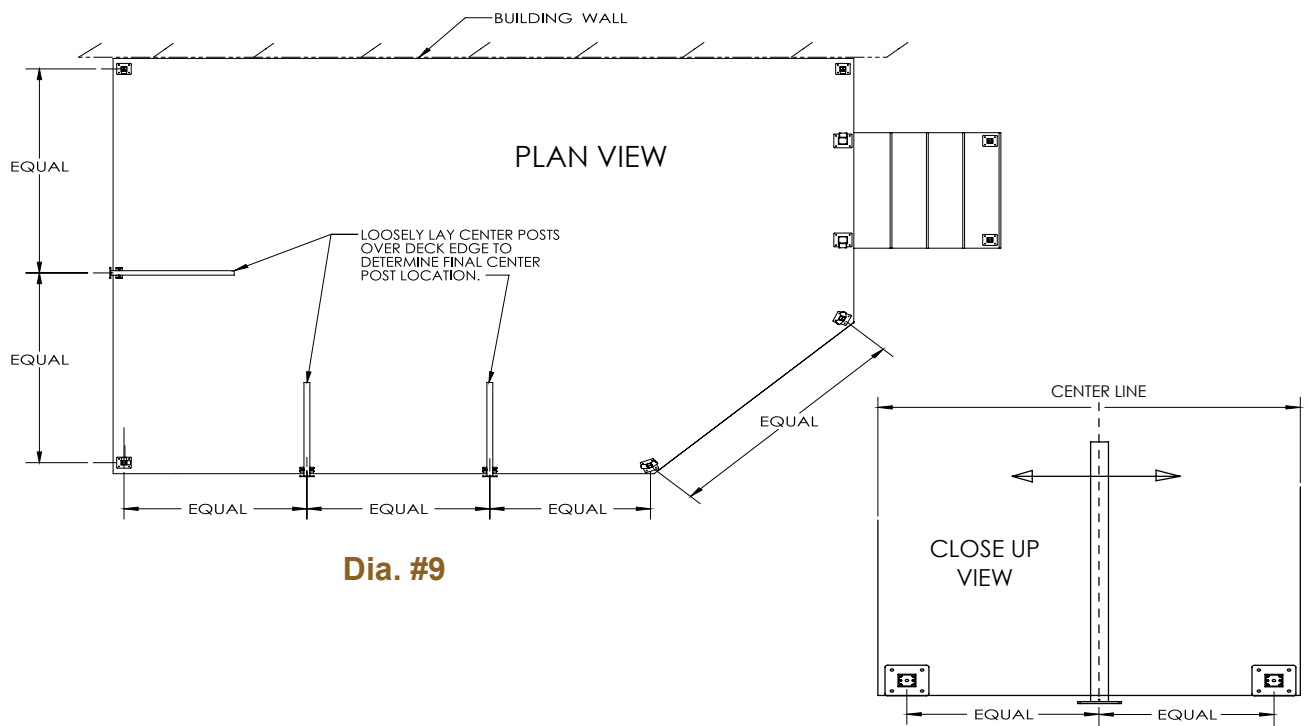
(Post to be installed at 22.5° to accommodate a 45° angle.)

Position post on same 3" centerline (typical) and temporarily fasten to deck surface. Use one 22.5° Panel Attach Kit (purchased separately) to install 45° corner posts. (Dia. #8)



7 Determine Center Post Locations

Loosely lay center post over deck edge and adjust as required to determine final center post mounting locations. (Dia. #9 & #10)



8 Secure 2" Posts to Deck (center only)

- For continuous top rail systems, install 2" posts centered between 3" end and corner posts.

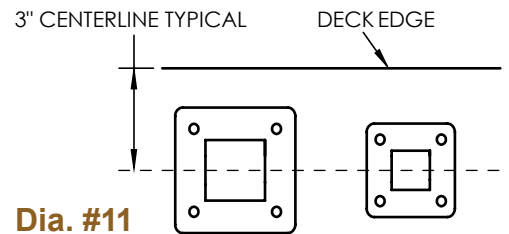
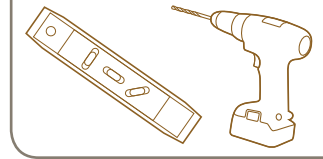
NOTE: 2" Posts must be installed with center screw chases in-line with panel (Dia. #11).

- Follow instructions in step 2 (Dia. #3A to Dia. #4).



Important Note:

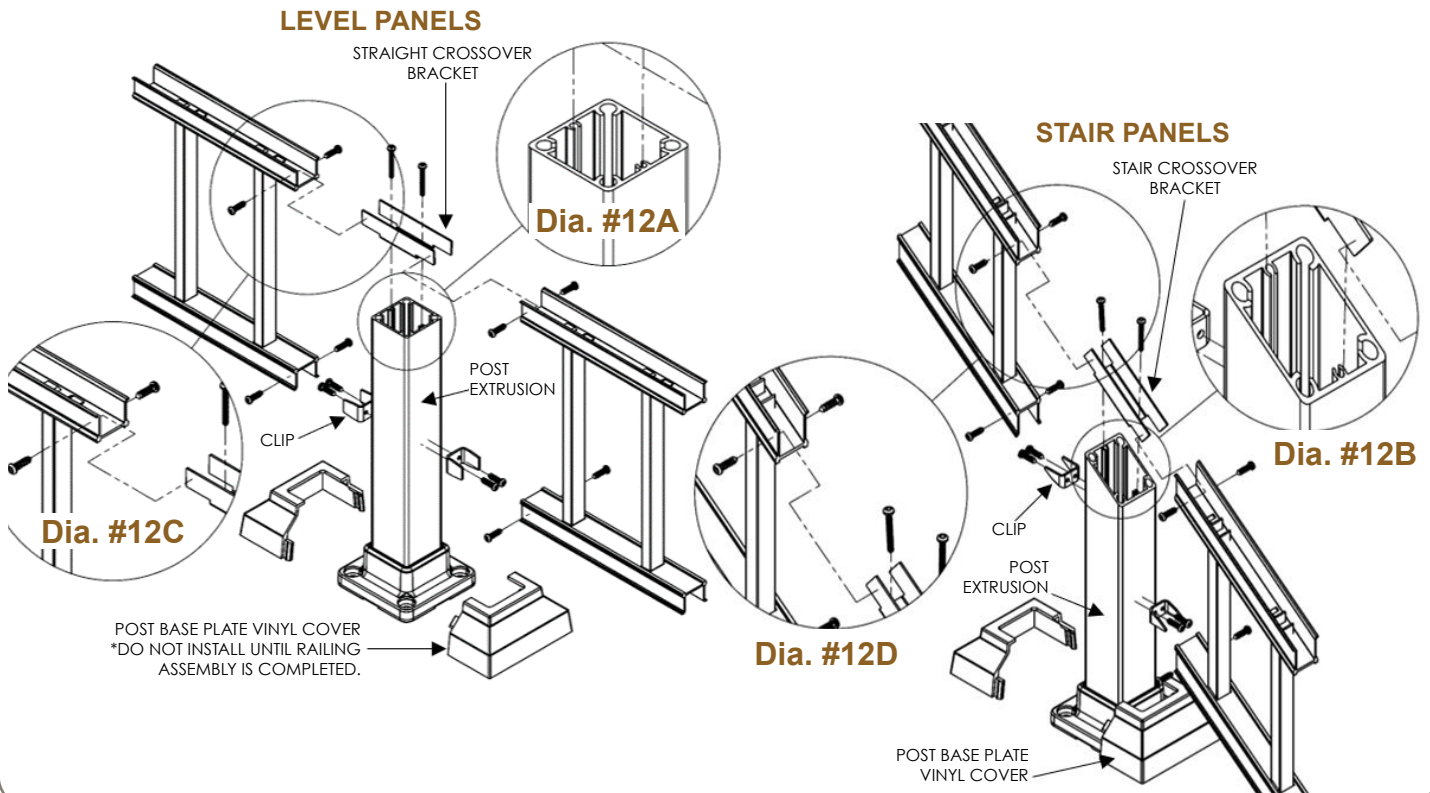
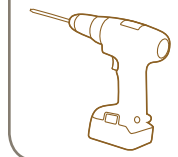
3" posts are required at all transitions. 2" posts may not be used to start/end a run or to form a corner.



Dia. #11

9 Install Crossover Brackets on 2" Posts

- With 6" #2 square drive bit, fasten straight crossover bracket (included) into post with (2) - #8x1.5" Self-Drilling Screws. (Dia. #12A & #12B)
- With 6" #2 square drive bit, fasten H-channel to straight and stair crossover brackets with (4) - #8x3/4" Self-Drilling Screws. (Dia. #12C & #12D) Repeat for lower clips.
- Install base plate vinyl cover only after railing assembly is completed. (Dia. #4)



BLEND



(<https://www.casadisassi.com/sites/default/files/styles/colorbox/public/2019-04/BL%20-%20BIANCO.jpg?h=778fb1ee&itok=h3gluOD6>)

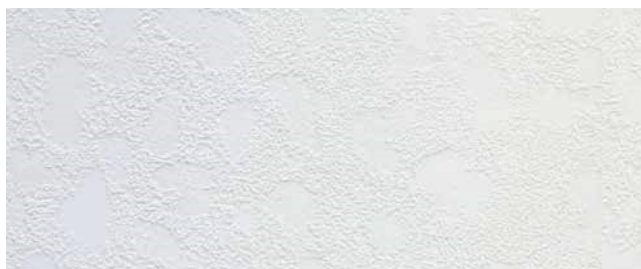
Blends are unique combinations of a variety of stones. This exclusive blend creates a natural feel with significant size variations. With rough textures and dimensions, Blends add an authentic warm ambiance to any project. Stones are figured for a 1/2" grout joint.

PROFILE COLOR

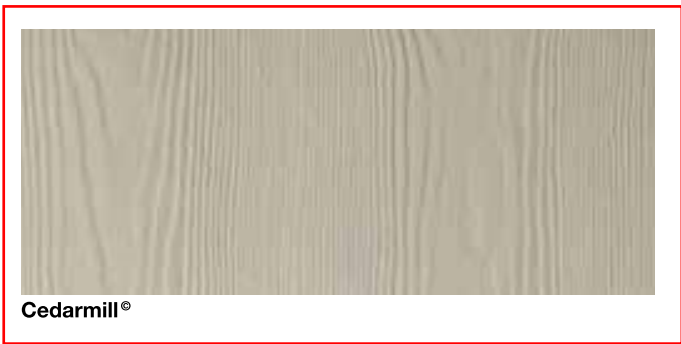
HardiePanel® Vertical Siding Product Description

HardiePanel® vertical siding is factory-primed fiber-cement vertical siding available in a variety of sizes and textures. Examples of these are shown below. Textures include smooth, stucco, Cedarmill® and Sierra 8. HardiePanel vertical siding is 5/16 in. thick and is available in 4x8, 4x9 and 4x10 sizes. Please see your local James Hardie dealer for texture and size availability.

HardiePanel vertical siding is available as a prefinished James Hardie® product with ColorPlus® Technology. The ColorPlus coating is a factory applied, oven baked finish available on a variety of James Hardie siding and trim products. See your local dealer for availability of products, color and accessories.



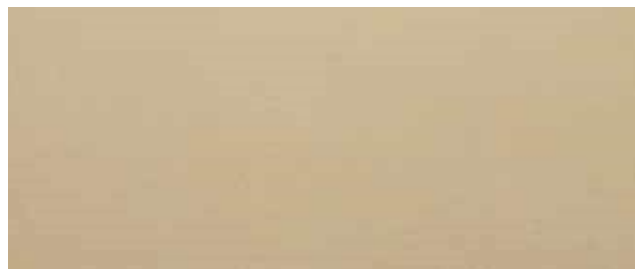
Stucco



Cedarmill®



Sierra 8



Smooth





HARDIETRIM® BOARDS

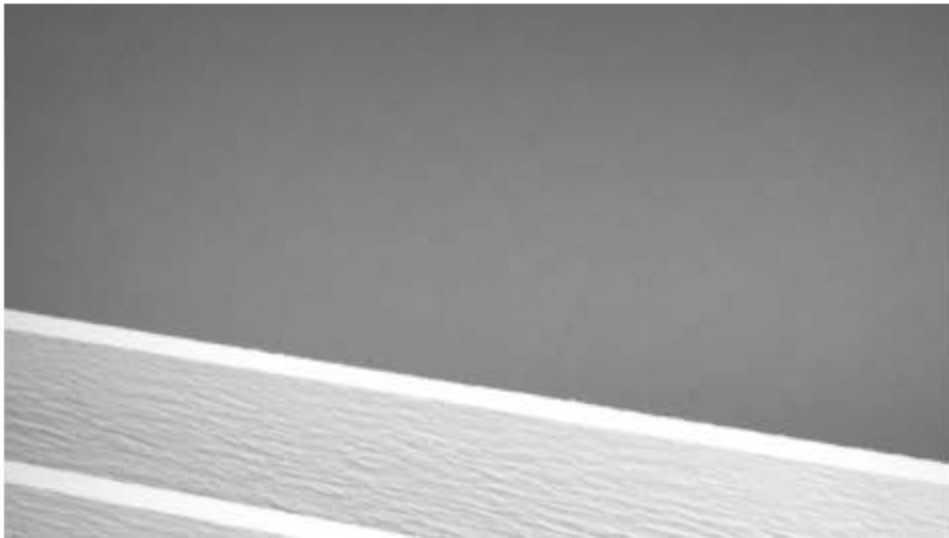
4/4 RUSTIC

With a wood-like texture, this trim has vintage appeal—and it's warp- and rot-resistant. Available in Statement Collection products, Dream Collection products, or primed for paint.



THE STATEMENT COLLECTION™

Classic shades—engineered with long-lasting ColorPlus® Technology—will make a statement that resonates for generations. The tried and true colors of James Hardie's Statement Collection™ products were designed for every home. They're our most popular hues. And they are readily available in your region.



TRIM COLORS

Monterey Taupe





HARDIESHINGLE® SIDING

STRAIGHT EDGE PANEL

A clean-lined shingle can soften contemporary-looking designs or add refinement to rustic styles. Make your selection from our Statement Collection products or Dream Collection products.



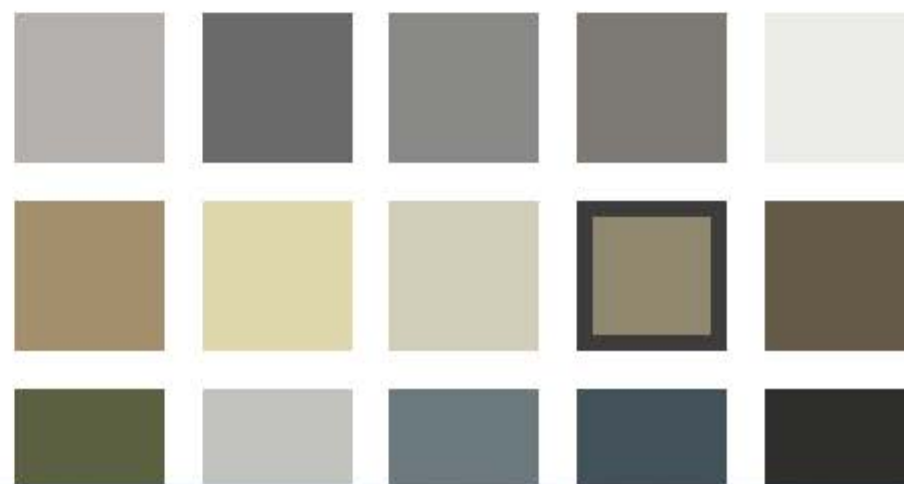
THE STATEMENT COLLECTION™

Classic shades—engineered with long-lasting ColorPlus® Technology—will make a statement that resonates for generations. The tried and true colors of James Hardie’s Statement Collection™ products were designed for every home. They’re our most popular hues. And they are readily available in your region.

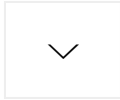
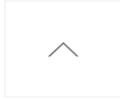


SIDING COLORS

Monterey Taupe







ASHWOOD

Available



Available

- 1-ft. Sample - FREE
- 2-ft. Sample - \$5.00

DECKING

PRO Legacy Collection

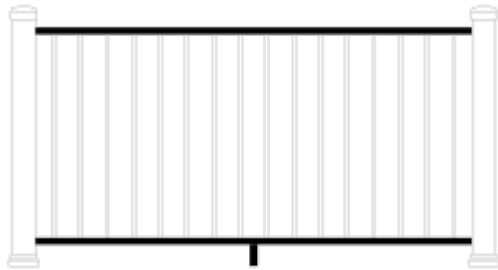
A premium composite that blends beauty with technology for the ultimate low-maintenance deck. Four-sided capping makes it extremely resistant to moisture damage, and its protective surface resists everyday stains and scratches.

Configure Your Impression Rail System

A railing is actually the sum of its parts—and we give you so many ways to customize yours! Use the icons below to see how the components of your Impression Rail System come together.

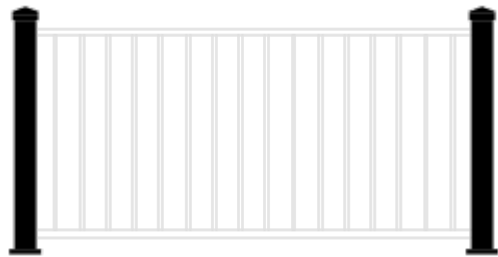
Need help choosing? [See our tips.](#)

VISIT A DEALER



Impression Rail

BLACK



This site uses cookies to ensure you get the best experience.

[LEARN MORE](#)

BLACK

GOT IT

♡ SAVE ALL ITEMS

↑ SHARE

The Final Touch: Lighting

Aside from adding functionality, lighting is a design element on par with color, material, and railing choices. Consider how you use your deck to choose from our many styles of integrated deck and railing lighting.

[SEE ALL LIGHTING](#)

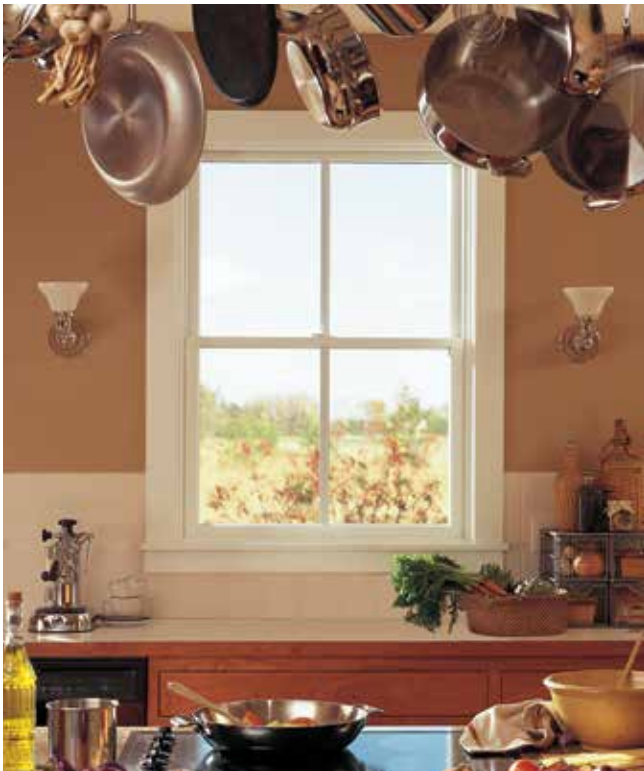


There will be no lights in the post caps

This site uses cookies to ensure you get the best experience.

[LEARN MORE](#)

GOT IT



TILT-WASH DOUBLE-HUNG WINDOWS

Andersen® 400 Series tilt-wash double-hung windows are engineered to provide outstanding performance and style. Combined with the tilt-to-clean sash, it's easy to see why it's our best selling double-hung. Exteriors use three different levels of protection from the elements. On the inside you have the choice of natural pine or low-maintenance white, dark bronze or black* finish. For added style there is a wide range of grille patterns and hardware options.

DURABLE

- Virtually maintenance-free
- Perma-Shield® exteriors never need painting and won't peel, blister, flake or corrode**
- Frame exterior is protected by a tough vinyl cover that resists dents and repels water and provides long-lasting protection
- Available with Stormwatch® protection for coastal areas

ENERGY EFFICIENT

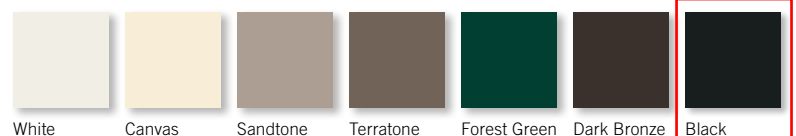
- Weather-resistant construction for greater comfort and energy efficiency
- Weatherstripping is designed to seal out drafts, wind and water
- Variety of Low-E4® glass options are available to help control heating and cooling costs in any climate
- Many 400 Series tilt-wash double-hung windows have options that make them ENERGY STAR® v. 6.0 certified throughout the U.S.



BEAUTIFUL

- Seven exterior color options
- Natural pine, white, dark bronze or black* interiors
- Add style with grilles, exterior trim or patterned glass

EXTERIOR COLORS



*Dark Bronze and Black interiors are only available with Dark Bronze and Black exteriors respectively. See your Andersen dealer for availability. **Visit andersenwindows.com/warranty for details. "ENERGY STAR" is a registered trademark of the U.S. Environmental Protection Agency.

Grille Types

Andersen windows and doors are offered with the following grille type options. See your local dealer for availability.



Full Divided Light

Give your window an authentic look with grilles that are permanently applied to the interior and exterior of your window with an aluminum spacer between the glass.

An Energy Spacer option is also available to help achieve ENERGY STAR® certification in the Northern climate zone (A-Series only.)



Simulated Divided Light

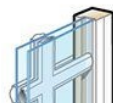
Simulated divided light offers permanent grilles on the exterior and a choice of permanent or removable wood interior grilles, with no spacer between the glass.



Removable Interior Grille

Removable interior wood grilles are secured via a fastener or grille clip and can be removed enabling you to easily clean the glass surface.

Not available on 100 Series products.



[Live Chat](#) [Contact Us](#)

[Find a Showroom](#) [Subscribe](#)

[Search Products](#)

HINKLEY

L I G H T I N G

[Favorites](#) [Create an Account](#)

[Products](#)

[Style](#)

[Where to Buy](#)

[Blog](#)

[For Professionals](#)

[About Us](#)

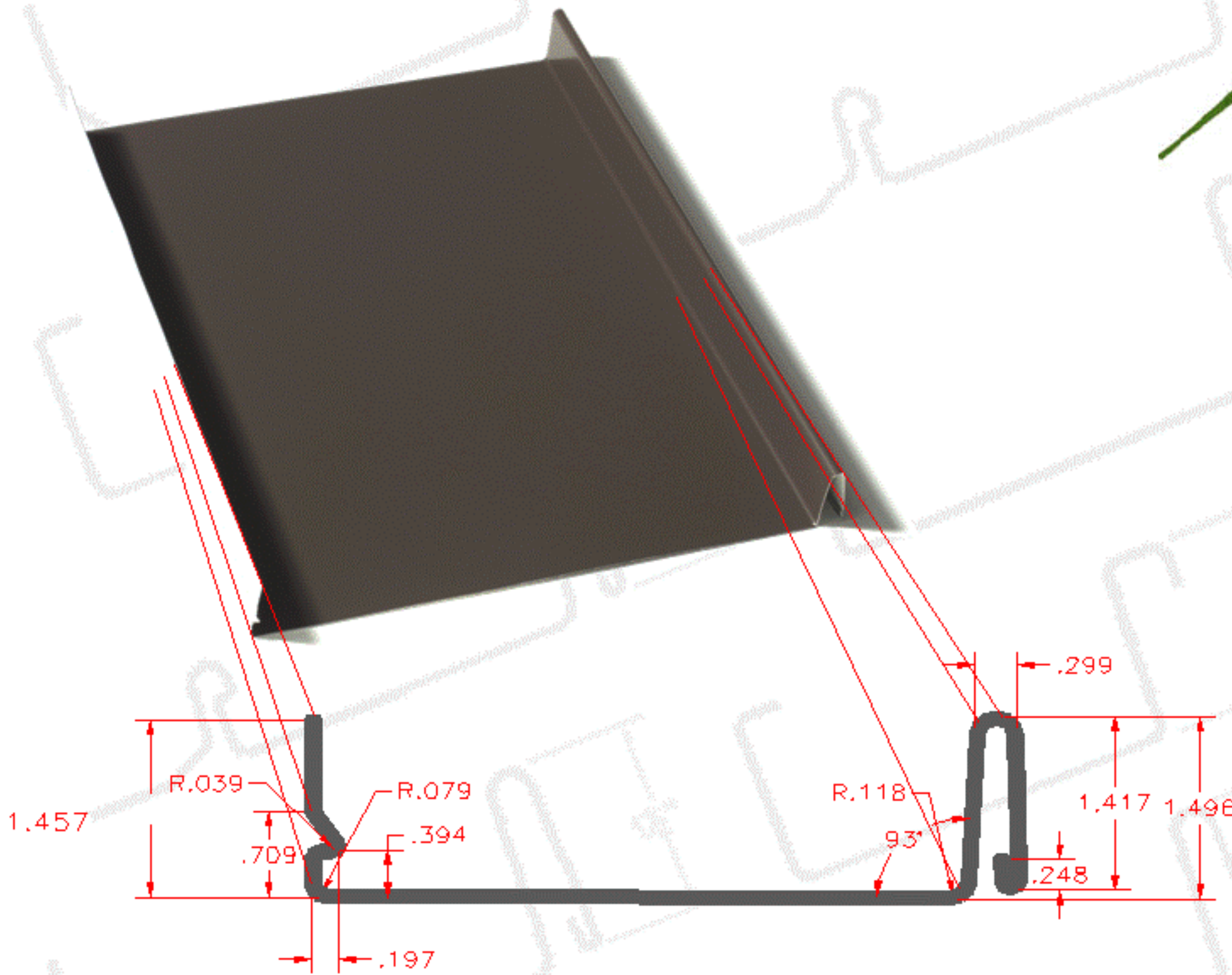
Explore **Regency Ceiling Fans**, a new division of Hinkley Lighting



1 1/2" SNAP-LOCK PANEL



Hilliard, Ohio
 PH: 614-876-4280 / FX: 614-771-7625
 www.metalformedgoods.com



Advantages

- ◆ Nominal 1 1/2" seam height with hidden fasteners
- ◆ Interlocking design reduces installation time
- ◆ Available widths from 11.5" to 19.5"
- ◆ 1 piece floating clip allows for thermal expansion
- ◆ Integral locking seams do not require mechanical seaming
- ◆ 30 Year Finish Warranty
- ◆ 24 gauge Kynar steel standard

Materials:

24 gauge galvanized / galvalume steel (Standard)
 22 & 26 gauge galvanized / galvalume steel
 .032 Aluminum (Kynar or Anodized)
 16 & 20 ounce copper

Performance:

ASTM 1592 Wind Uplift
 ASTM 283 Air Infiltration
 ASTM 331 Water Penetration
 ASTM 330 Structural Performance

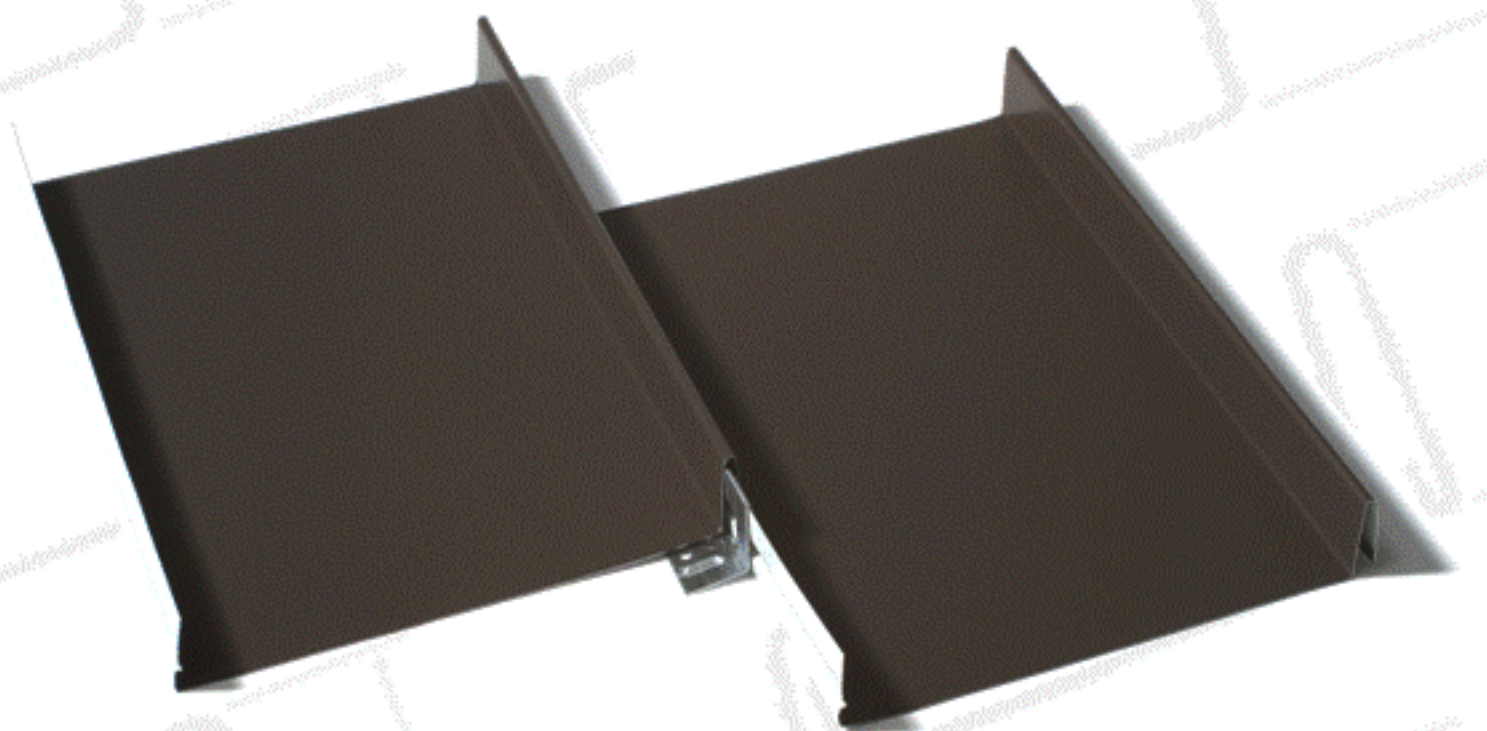
Load Span Table for 1 1/2" Snap Lock Panel
 16" Width

Material	24 Gauge		
SPAN	THREE EQUAL SPANS		
(FT)	W (PSF)	RE	RI
2	27.59	22.1	60.7
2.5	25.64	25.6	70.5
3	24.3	29.2	80.2
3.5	23.38	32.7	90
4	22.68	36.3	99.8

W = Allowable Uniform Load

RE = End Support Reaction (#/ft)

RI = Intermediate Support Reaction (#/ft)



LANDMARK®

For homeowners seeking true peace of mind, Landmark® shingles are the high-quality, reliable choice for beautifying and protecting a home. With a dual-layered design that emulates the dimensionality of true wood shake, Landmark asphalt shingles offer the heaviest weight and widest array of color options in their class, allowing you to create or re-create the ideal look for your home with confidence. Backed by a 100+ year legacy of trusted manufacturing performance, all Landmark shingles include CertainTeed's industry-leading, lifetime-limited warranty.

- Certified as meeting the industry's toughest third-party (UL) manufacturing quality standards
- Dual-layered construction provides extra protection from the elements
- Ten year StreakFighter® algae-resistance warranty
- Class A fire-resistance rating

Due to variation in computer monitors and printers, the color samples seen on your computer screen may not exactly match the corresponding color. To verify actual product color, ask to see the actual product, available through a CertainTeed contractor or distributor.

PRODUCT OVERVIEW

- [Landmark Series Brochure - Lake Central](#)
 - [Integrity Roof System Brochure](#)
 - [StreakFighter Algae-Resistant Shingles Brochure](#)
 - [NailTrack Sell Sheet](#)
- [\(More Info\)](#)

TECHNICAL SPECS

- [Data Sheet - Landmark Series](#)
 - [SDS - Asphalt Shingle - AR](#)
 - [SDS - Asphalt Shingle - non-AR](#)
 - [3-Part Spec - Landmark](#)
- [\(More Info\)](#)

INSTALLATION

- [Landmark Installation Instructions](#)
- [Video:Installing Landmark - five course pattern, alternate closed cut valley & skylight flashing](#)



MOIRE BLACK

LANDMARK®

[OVERVIEW](#)

[TECHNICAL INFO](#)

[INSTALLATION](#)

[WARRANTY](#)

[FIND A PRO](#)



METAL ROOFING SYSTEMS

LIKE US on Facebook

METAL FORMED GOODS
CORPORATE OFFICE
5070 NIKE DRIVE
HILLIARD, OH 43026
PHONE: 614-876-4280
FAX: 614-876-8850
[Email Us](#)

About	Benefits of Metal Roofing	Gallery	Products	Colors	Contact Us	Resources	
-----------------------	---	-------------------------	--------------------------	------------------------	----------------------------	---------------------------	--

Colors

Metal Roofing panels are available in a wide spectrum of color options. These rich and vibrant colors are produced with either Kynar 500® or Hylar 5000® resins, which provide superior color retention, and allow us to offer non-prorated coating warranties for most applications. Please contact us for more information and for a more accurate printed color booklet.

[Virtual Roof Builder](#)

See how available colors will look with the [COOLR Virtual Roof Builder](#).



[Print a PDF version of available colors](#)

*Available at a slight price premium.

Colors shown are matched as accurately as possible, but may vary slightly from finished product. Coating warranty varies for Regal Red, Matte Black, Copper, Silver, Champagne, and Pre-Weathered Galvalume. Metallics are warranted for chip, crack, and peel only. Please call for details.

CANYON RIDGE®

collection

LIMITED EDITION SERIES | ULTRA-GRAIN® SERIES



America's Favorite Garage Doors®



Canyon Ridge® Collection Limited Edition Series Design 13; Shown in Dark Finish with Mahogany Cladding, Mahogany Overlays and REC13 Window Design (Model CAN213MMREC13)

DOOR DESIGNS

SERIES 1



Design 01



Design 11



Design 12



Design 13

SERIES 2



Design 21



Design 22



Design 23

SERIES 3



Design 31



Design 32



Design 33



Design 34



Design 35



Design 36



Design 37



Design 38

SERIES 5



Design 51



Design 52



Design 53



Design 54



Design 55

Door widths available 6'2" to 20'0" wide in 2" increments. Designs 22, 23, 34 and 35 are not available 10'2" to 14'10" wide.
Door heights available 6'0" to 10'0" high in 3" increments. 6'3" high doors are not available with windows. See your Clopay Dealer for details.

WINDOW DESIGNS / TOP SECTIONS

Top sections are available in solid panels or with insulated windows in rectangular, square and arched designs. Insulated frosted, seeded, obscure and rain glass is available. Glass available only on Series 1, Series 2 and Design 52.

Additional charges for optional glass apply.



Clear Frosted Seeded Obscure Rain
 Attractive beveled edge clip-in grilles are removable for easy cleaning.

SERIES 1 & 2

Solid Top Sections Not Applicable to Design 01 and Series 3



TOP11* TOP12 TOP13 ARCH1

Window Designs Not Applicable to Design 01 and Series 3



REC11* ARCH1 ARCH3 ARCH4
 REC13* REC14* ARCH13 ARCH14

**Top section and windows also available on Series 5 Design 52. Window grilles are Clear Cypress texture. Standard windows available on the following widths only: 6'2", 8'0", 9'0", 10'0", 10'2", 12'0", 12'2", 13'6", 15'0", 15'2", 15'6", 15'8", 16'0", 16'2", 18'0", 18'2", 20'0", 20'2". Impact windows available on the following widths only: 8'0", 9'0", 10'0", 12'2", 16'2", 18'2".*

SERIES 3

Solid Top Sections Not Applicable to Series 1 and 2



TOP11 TOP12 TOP13 ARCH1
 ARCH1 ARCH1

ARC1A, ARC3A and ARC4A double door top sections not shown. See below for more information on additional sizes or ask your Clopay Dealer for more details.

ADDITIONAL SIZES & WINDOWS

Due to the extensive design options, not all sizes, window and top sections are shown. See your Clopay Dealer or go to www.clopaydoor.com for more details.

ARCH1 WINDOWS

ARC1A WINDOWS

ARCH1 WINDOWS



10'4" – 14'10" WIDE DOORS 15'0" – 20'0" WIDE DOORS



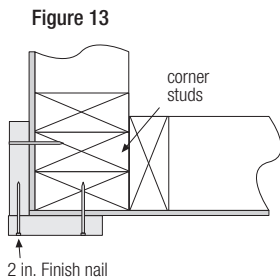
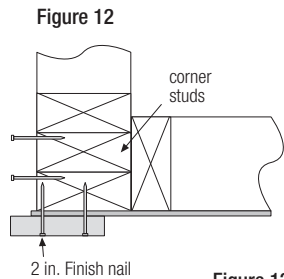
INSTALLATION

TRIMMING CORNERS

When installing corners or other vertical trim, position boards on the wall and attach (figure 12).

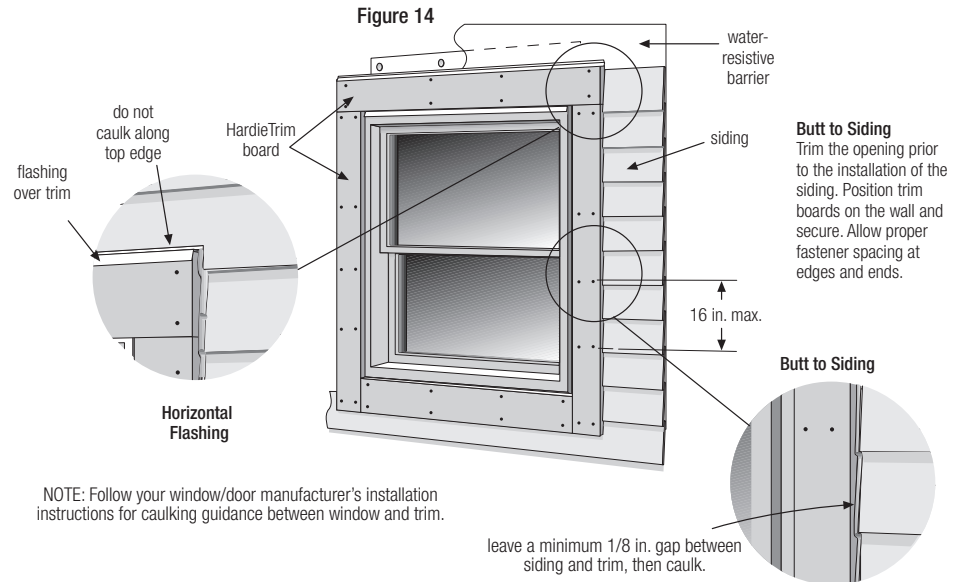
Pre-Built Corners

Alternatively, corners can be pre-built off the wall using 2 in. finishing nails. Each side of the pre-built corner must be secured to the wall (figure 13).



TRIM APPLICATION FOR WINDOWS, DOORS & OTHER OPENINGS

Flashing over trim is required per code for all installation methods. (figure 14)

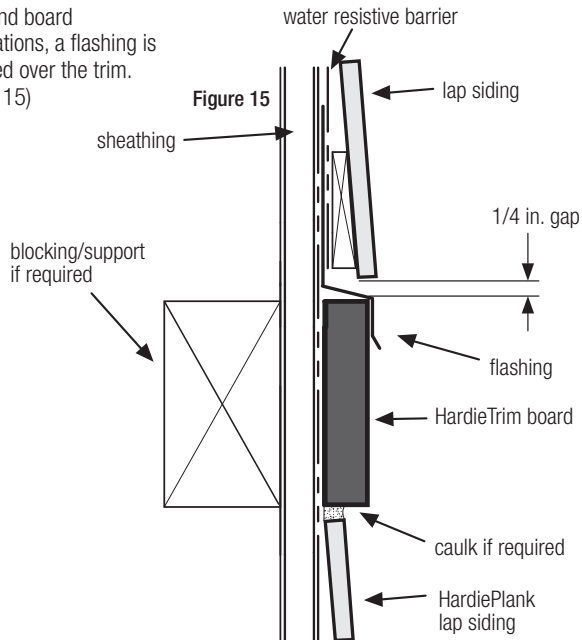


NOTE: Follow your window/door manufacturer's installation instructions for caulking guidance between window and trim.

WINDOW TRIM WILL ALSO INCLUDE A 1X1 FOR THE PROTRUDING SILL

BAND BOARD

For band board applications, a flashing is required over the trim. (figure 15)



FRIEZE BOARDS

HardieTrim boards can be used as frieze board. (figure 16)

