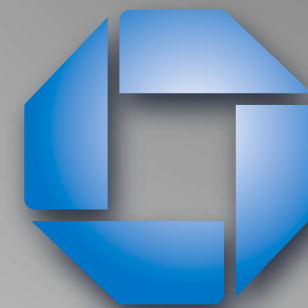
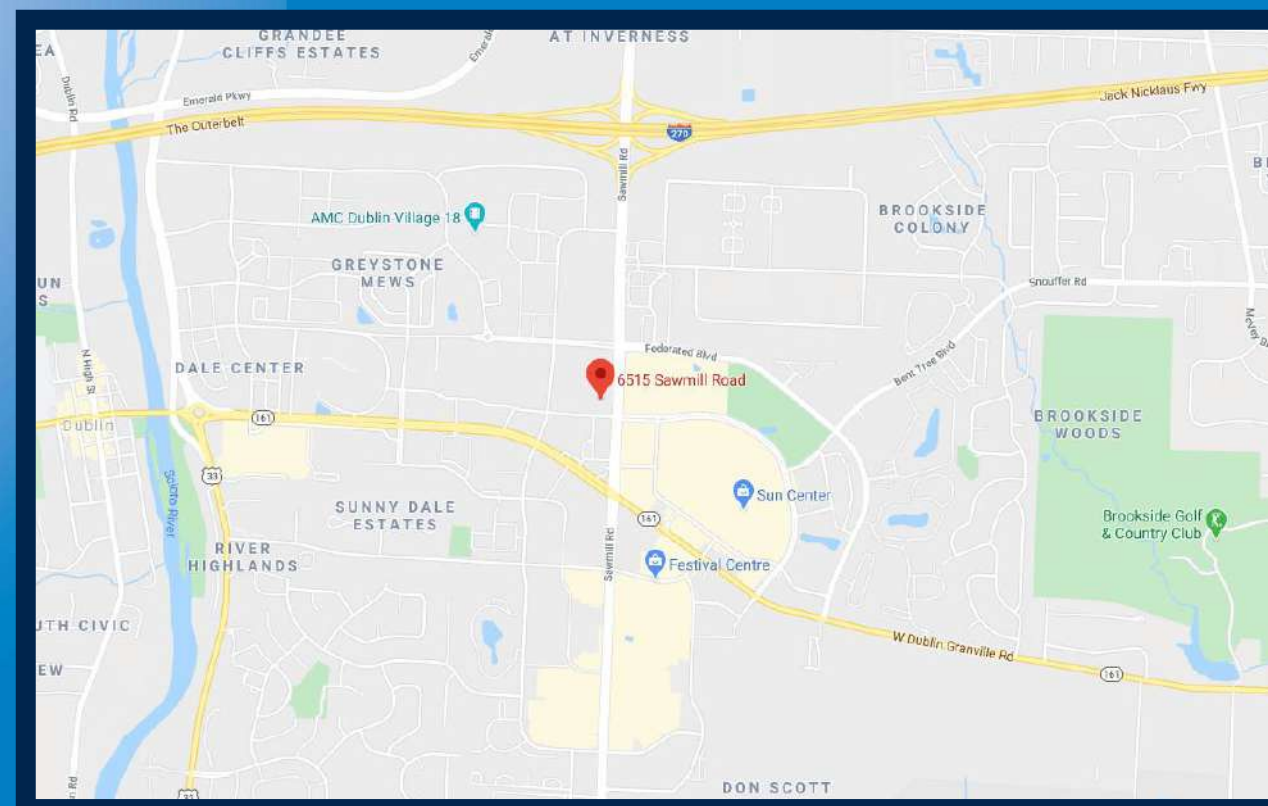


CHASE



#38100P317668

6515 Sawmill Rd Dublin, OH 43017



REVISION NOTES:

- R1: added coming soon sign details. - AS - 06/01/20
- R2: Added details for signs E5-13. - AS - 06/02/20
- R3: Removed signs E5-10,14 from brand book. - AS - 06/10/20



Signtech™

4444 Federal Blvd. San Diego CA 92102
Phone: (619) 527-6100 / Fax: (619) 527-6111
signtech.com



**JP Morgan Chase Bank
#38100P317668**

6515 Sawmill Rd Dublin,
OH 43017

Initial Date: 02/19/20
 Salesperson: Arthur Navarro
 Coordinator: Tracey Pichierri
 Designer: ASena
 Scale: As noted

CUSTOMER APPROVAL

Customer Signature _____ Date _____

COPY, COLORS & SIZES

Signtech does NOT provide primary electrical to sign location -
RESPONSIBILITY OF OTHERS!

Customer Signature _____ Date _____

This design is the exclusive property of Signtech and cannot be reproduced in whole or in part, without their prior written approval.

Drawing Number: 20-00278

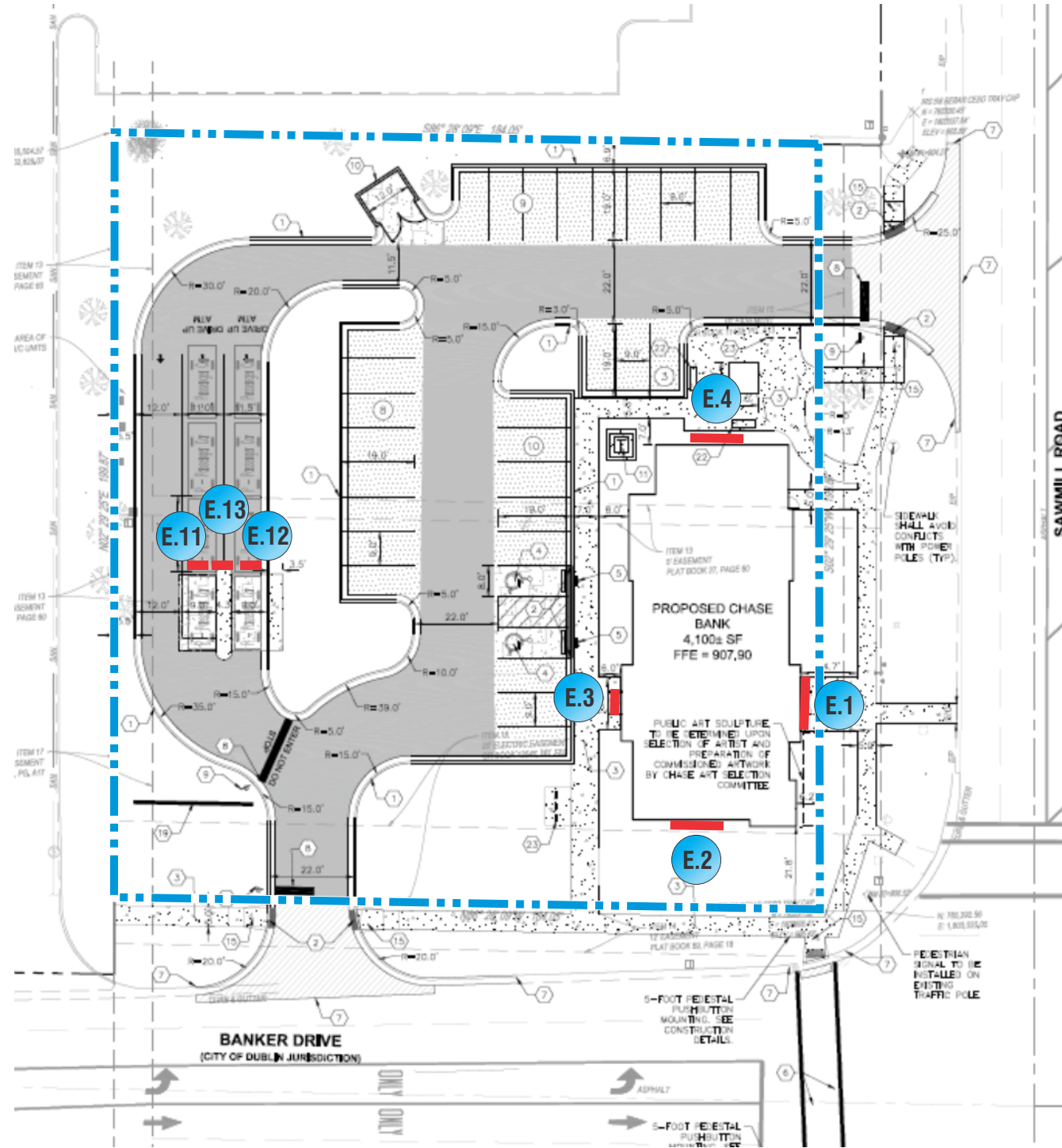
Project ID: CHASE_38100P317668_1

Revision: R3 - 06.10.20

EXTERIOR SIGN LEGEND - ALLOWED

Elevation	Sign No.	Sign Type	Description	Sq.Ft.
East	E.1	LIH-WBO-24	24" White Halo-Lit Reverse Channel Letters	36.9
South	E.2	LIH-WBO-24	24" White Halo-Lit Reverse Channel Letters	36.9
West	E.3	CUSTOM VINYL	Window Transom Vinyl	4.95
North	E.4	LIH-WBO-24	24" White Halo-Lit Reverse Channel Letters	36.9
	E.11	DU-C	ATM Lane Designator Sign	
	E.12	DU-C	ATM Lane Designator Sign	
	E.13	TC-CL-W	Clearance Sign	

Total Proposed Sq Ft 115.95



SITE PLAN SCALE: 1:480

----- PROPERTY LINE



Signtech™

4444 Federal Blvd. San Diego CA 92102
 Phone: (619) 527-6100 / Fax: (619) 527-6111
 signtech.com



**JP Morgan Chase Bank
 #38100P317668**

6515 Sawmill Rd Dublin,
 OH 43017

Initial Date: 02/19/20
 Salesperson: Arthur Navarro
 Coordinator: Tracey Pichierri
 Designer: ASena
 Scale: As noted

CUSTOMER APPROVAL

Customer Signature _____ Date _____
COPY, COLORS & SIZES

Signtech does NOT provide primary electrical to sign location -
RESPONSIBILITY OF OTHERS!

Customer Signature _____ Date _____

This design is the exclusive property of Signtech and cannot be reproduced in whole or in part, without their prior written approval.

Drawing Number: 20-00278

Project ID: CHASE_38100P317668_1

Revision: R3 - 06.10.20

Sign Legend / Site Plan



Signtech™

4444 Federal Blvd. San Diego CA 92102
 Phone: (619) 527-6100 / Fax: (619) 527-6111
 signtech.com



**JP Morgan Chase Bank
 #38100P317668**

6515 Sawmill Rd Dublin,
 OH 43017

Initial Date: 02/19/20
 Salesperson: Arthur Navarro
 Coordinator: Tracey Pichierri
 Designer: ASena
 Scale: As noted

CUSTOMER APPROVAL

Customer Signature _____ Date _____
COPY, COLORS & SIZES

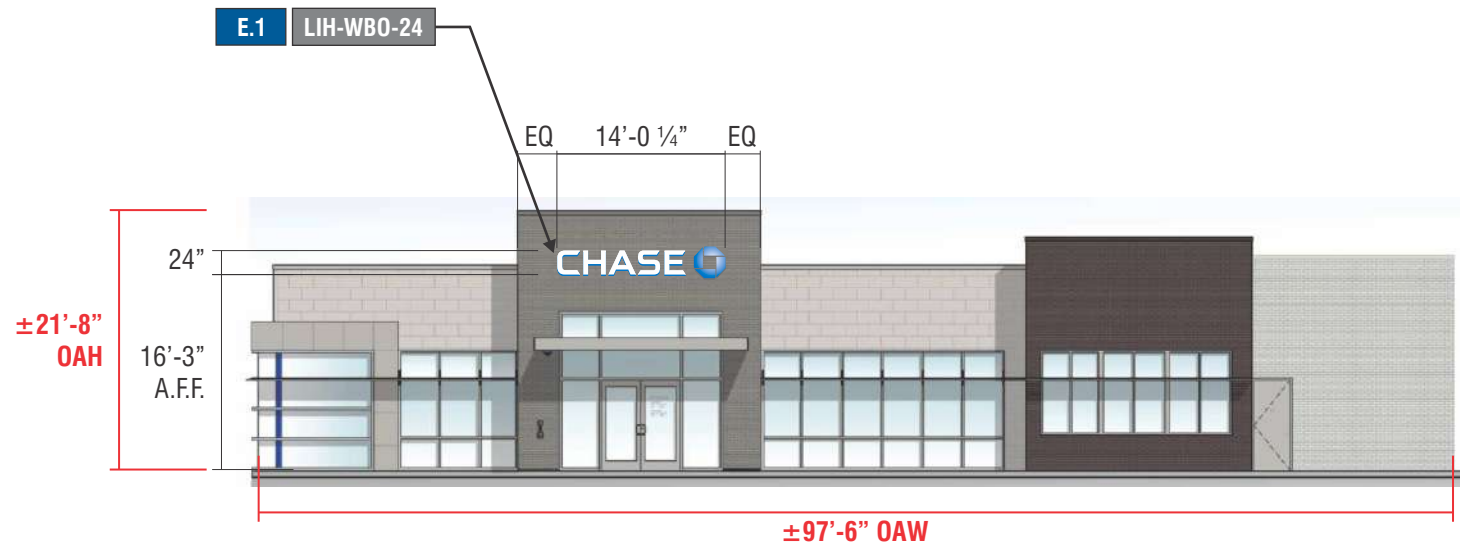
Signtech does NOT provide primary
 electrical to sign location -
RESPONSIBILITY OF OTHERS!

Customer Signature _____ Date _____
 This design is the exclusive property of Signtech
 and cannot be reproduced in whole or in part,
 without their prior written approval.

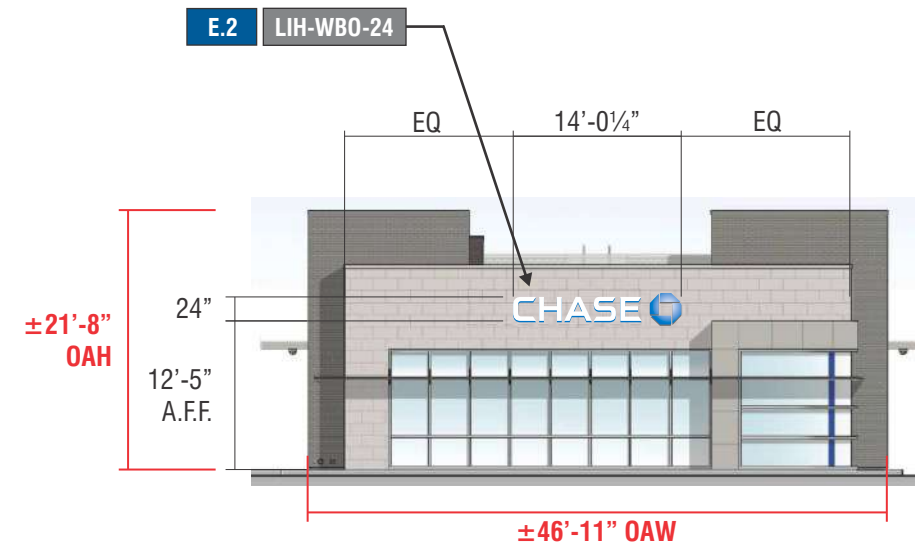
Drawing Number: 20-00278
 Project ID: CHASE_38100P317668_1
 Revision: R3 - 06.10.20

Enlarged Aerial Site

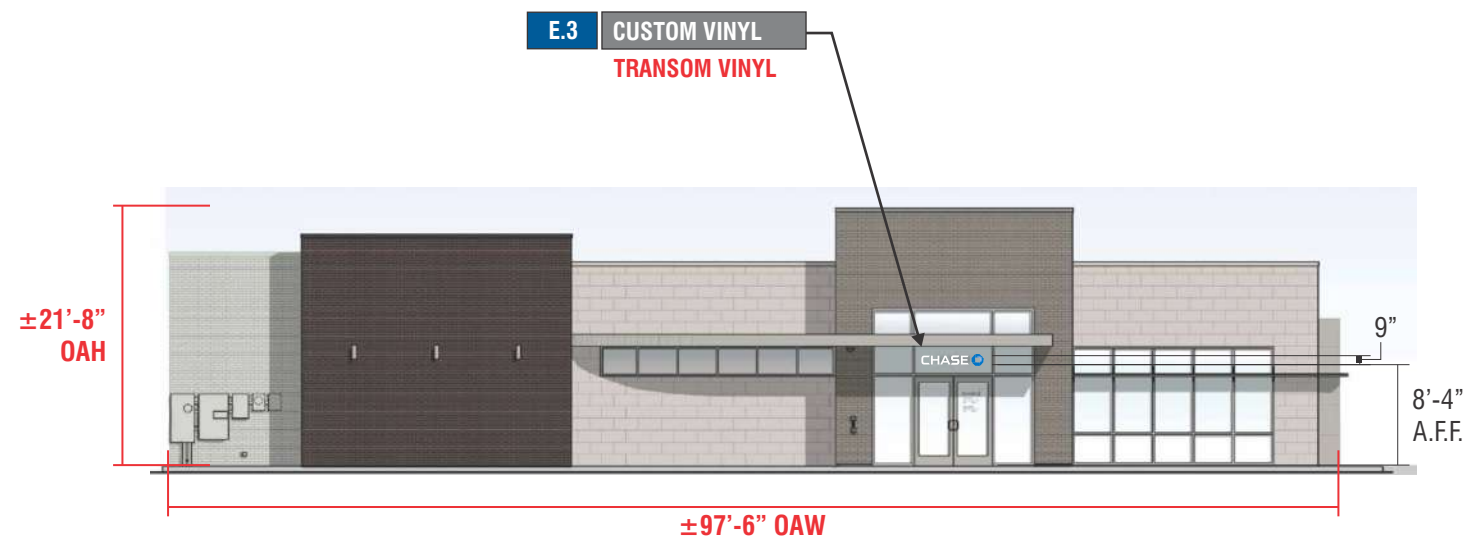
SIGNAGE OVERVIEW



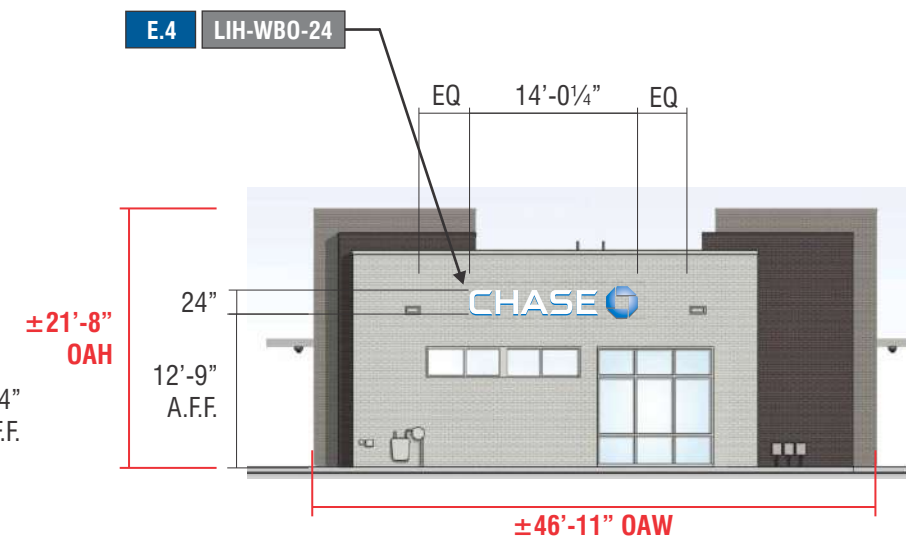
EAST ELEVATION SCALE: 1/16" = 1'-0"



SOUTH ELEVATION SCALE: 1/16" = 1'-0"



WEST ELEVATION SCALE: 1/16" = 1'-0"



NORTH ELEVATION SCALE: 1/16" = 1'-0"



Signtech™

4444 Federal Blvd. San Diego CA 92102
Phone: (619) 527-6100 / Fax: (619) 527-6111
signtech.com



JP Morgan Chase Bank
#38100P317668

6515 Sawmill Rd Dublin,
OH 43017

Initial Date: 02/19/20
Salesperson: Arthur Navarro
Coordinator: Tracey Pichierri
Designer: ASena
Scale: As noted

CUSTOMER APPROVAL

Customer Signature _____ Date _____

COPY, COLORS & SIZES

Signtech does NOT provide primary electrical to sign location -
RESPONSIBILITY OF OTHERS!

Customer Signature _____ Date _____

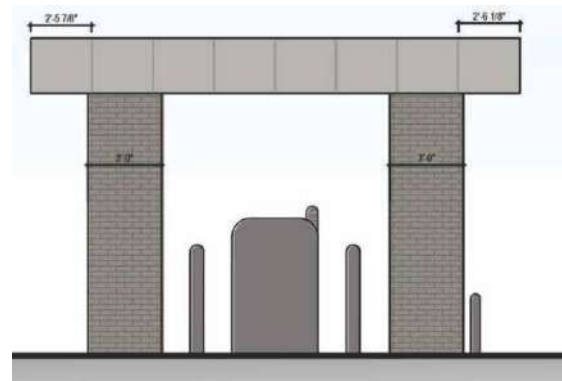
This design is the exclusive property of Signtech and cannot be reproduced in whole or in part, without their prior written approval.

Drawing Number: 20-00278

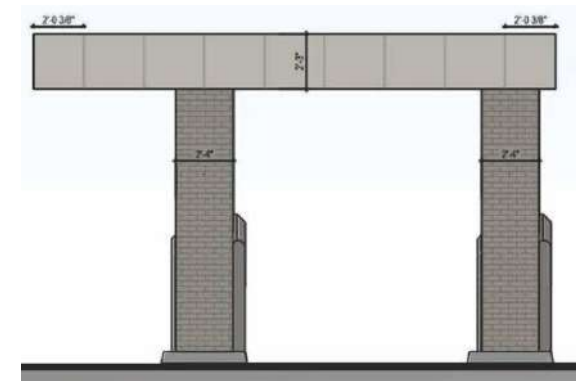
Project ID: CHASE_38100P317668_1

Revision: R3 - 06.10.20

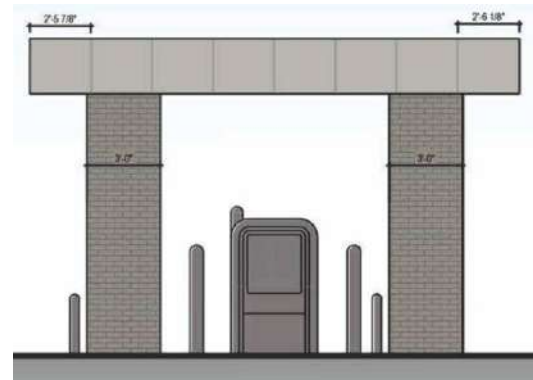
SIGNAGE OVERVIEW



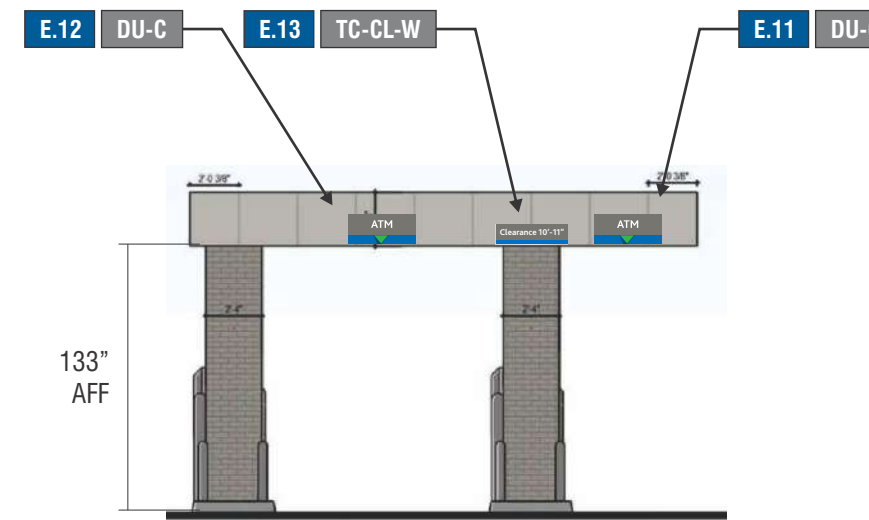
EAST ELEVATION SCALE: 1/8" = 1'-0"



SOUTH ELEVATION SCALE: 1/8" = 1'-0"



WEST ELEVATION SCALE: 1/8" = 1'-0"



NORTH ELEVATION SCALE: 1/8" = 1'-0"



Signtech™

4444 Federal Blvd. San Diego CA 92102
Phone: (619) 527-6100 / Fax: (619) 527-6111
signtech.com



JP Morgan Chase Bank
#38100P317668

6515 Sawmill Rd Dublin,
OH 43017

Initial Date: 02/19/20
Salesperson: Arthur Navarro
Coordinator: Tracey Pichierri
Designer: ASena
Scale: As noted

CUSTOMER APPROVAL

Customer Signature _____ Date _____

COPY, COLORS & SIZES

Signtech does NOT provide primary
electrical to sign location -
RESPONSIBILITY OF OTHERS!

Customer Signature _____ Date _____

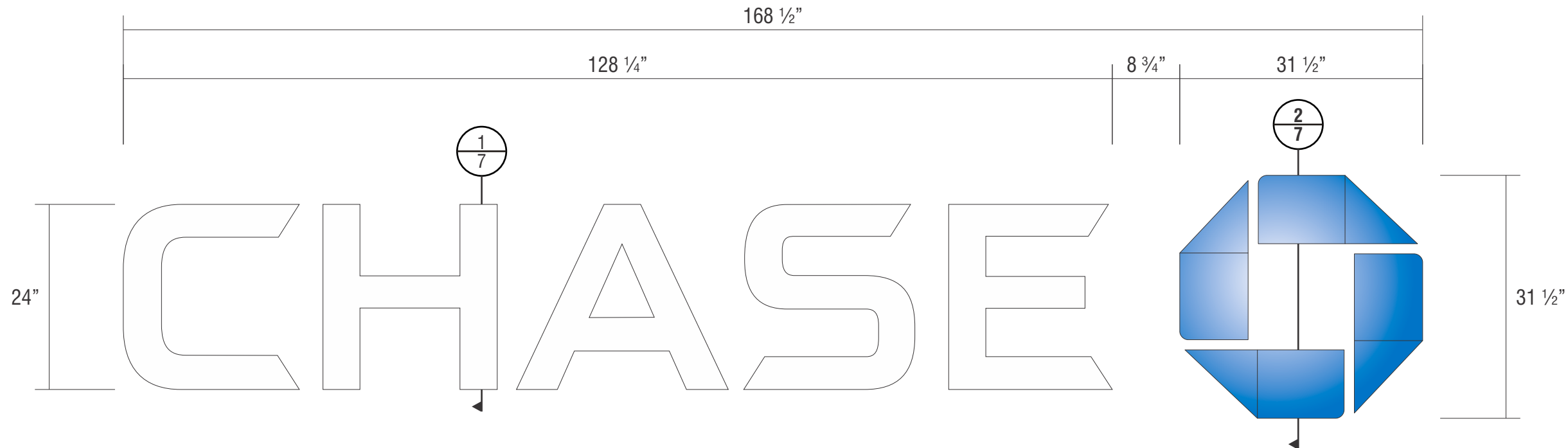
This design is the exclusive property of Signtech
and cannot be reproduced in whole or in part,
without their prior written approval.

Drawing Number: 20-00278

Project ID: CHASE_38100P317668_1

Revision: R3 - 06.10.20

Exterior Elevations



FRONT VIEW SCALE : 3/4" = 1'-0"

E.1 E.2 E.4

SIGN TYPE LIH-WBO-24 SQFT 36.9

MANUFACTURE AND INSTALL THREE (3) SETS OF HALO-ILLUMINATED REVERSE CHANNEL LETTERS

- LETTERS:** FABRICATED .090" ALUMINUM W/ 4" DEEP RETURNS. FOR FACES, PAINT MATTHEWS #MP-33800 WHITE, SEMI-GLOSS FINISH.
- RETURNS:** PAINT MATTHEWS #MP-00366 CHASE BLUE, SEMI-GLOSS FINISH.
- OCTAGON LOGO:** (4) INDIVIDUAL SEGMENTS OF FABRICATED .090" ALUMINUM WITH 1 1/2" DEEP RETURNS.
PAINT ALL OUTER SURFACES MATTHEWS #MP-49353 METALLIC BLUE, SATIN FINISH.
- LETTER/LOGO INTERIORS:** INTERIOR PAINTSPRAY-LAT STAR BRITE WHITE LACRYL LIGHT ENHANCEMENT PAINT.
- BACKS:** .177" CLEAR SUBSTRATE TO SECURE LEDs.
- STANDOFFS:** PAINTED TO MATCH FASCIA COLOR
- ILLUMINATION:** G.E. TETRAMAX 7100K WHITE LEDs FOR LETTERS & OCTAGON LOGO w/G.E. POWER SUPPLY AS REQUIRED, MOUNTED TO LEXAN BACKS.

ELECTRICAL REQUIREMENTS FOR LED ILLUMINATION
 As required by standard #2161, Signtech Electrical Advertising, Inc., exclusively uses secondary Ground fault-Interrupted (GFI) transformers.
 Each Sign MUST have: - A dedicated branch circuit
 - Three wires : Line, Ground, and Neutral.
 - Wire Size : Min 12 GA THHN Copper Wire.
 NOTE: The gauge of the wire is dictated by the length of the run & amperage as per NEC Article 600.
 - The ground wire must be continuous & go from the sign to the panelboard ground bus.

Signtech™
 4444 Federal Blvd. San Diego CA 92102
 Phone: (619) 527-6100 / Fax: (619) 527-6111
 signtech.com

MEMBER OF
 WSA INTERNATIONAL SIGN ASSOCIATION
 CESA CALIFORNIA ELECTRIC SIGN ASSOCIATION

JP Morgan Chase Bank
#38100P317668
 6515 Sawmill Rd Dublin,
 OH 43017

Initial Date: 02/19/20
 Salesperson: Arthur Navarro
 Coordinator: Tracey Pichierri
 Designer: ASena
 Scale: As noted

CUSTOMER APPROVAL

Customer Signature _____ Date _____
COPY, COLORS & SIZES

Signtech does NOT provide primary electrical to sign location -
RESPONSIBILITY OF OTHERS!

Customer Signature _____ Date _____
 This design is the exclusive property of Signtech and cannot be reproduced in whole or in part, without their prior written approval.

Drawing Number: 20-00278
 Project ID: CHASE_38100P317668_1
 Revision: R3 - 06.10.20



Signtech™

4444 Federal Blvd. San Diego CA 92102
 Phone: (619) 527-6100 / Fax: (619) 527-6111
 signtech.com



JP Morgan Chase Bank
#38100P317668

6515 Sawmill Rd Dublin,
 OH 43017

Initial Date: 02/19/20
 Salesperson: Arthur Navarro
 Coordinator: Tracey Pichierri
 Designer: ASena
 Scale: As noted

CUSTOMER APPROVAL

Customer Signature _____ Date _____

COPY, COLORS & SIZES

Signtech does NOT provide primary electrical to sign location -
RESPONSIBILITY OF OTHERS!

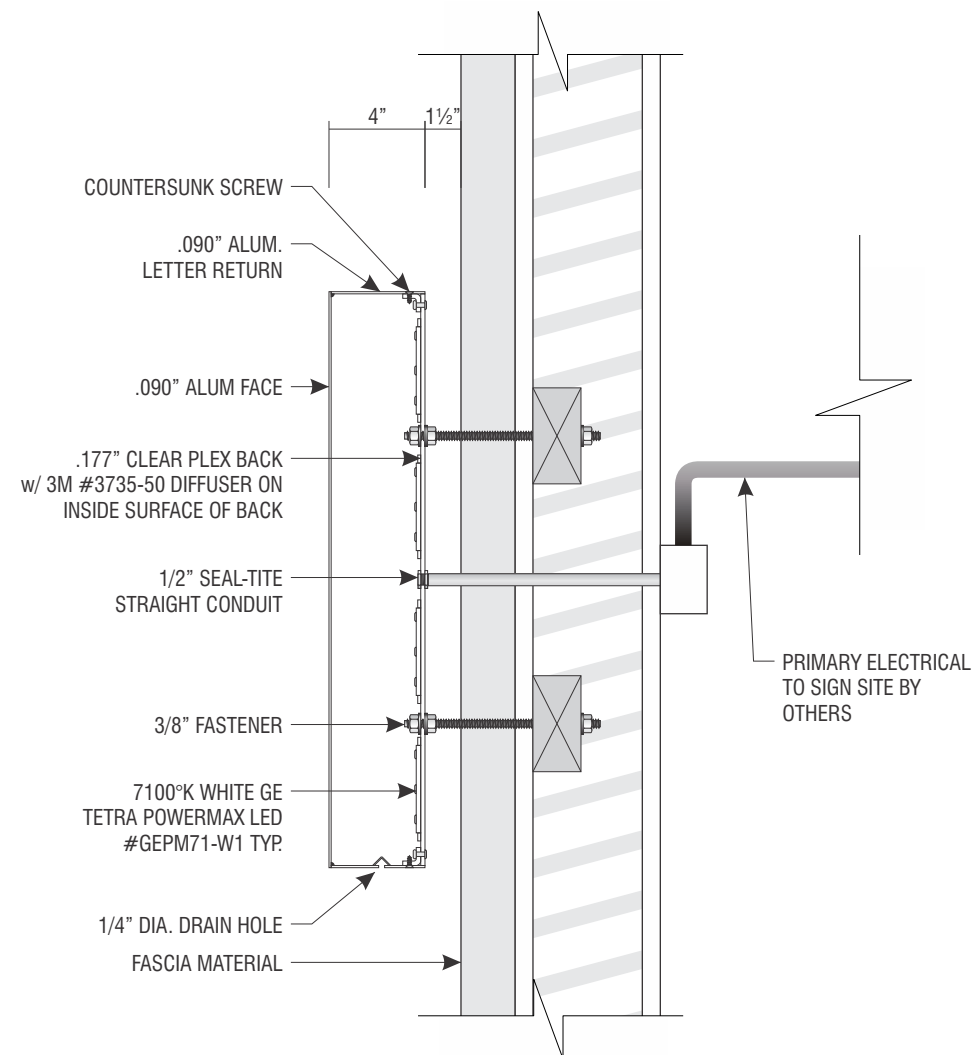
Customer Signature _____ Date _____

This design is the exclusive property of Signtech and cannot be reproduced in whole or in part, without their prior written approval.

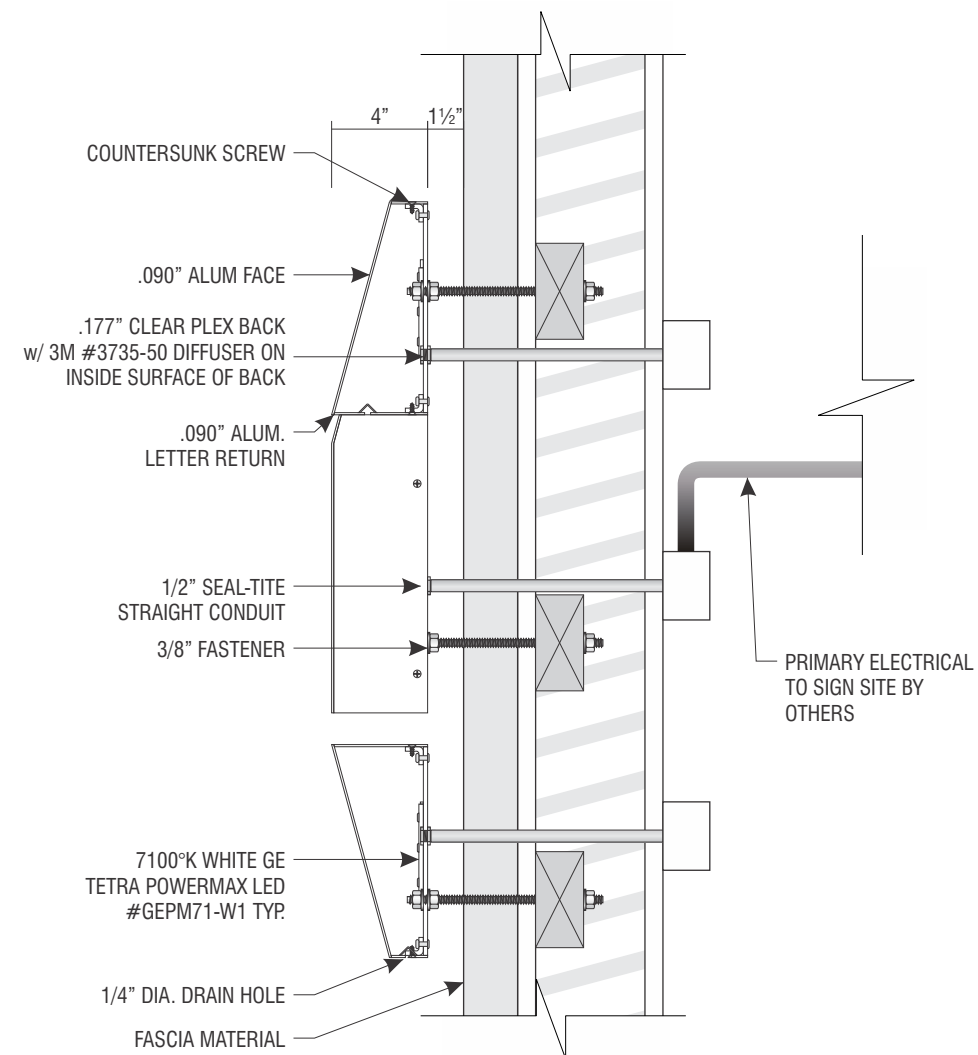
Drawing Number: 20-00278

Project ID: CHASE_38100P317668_1

Revision: R3 - 06.10.20



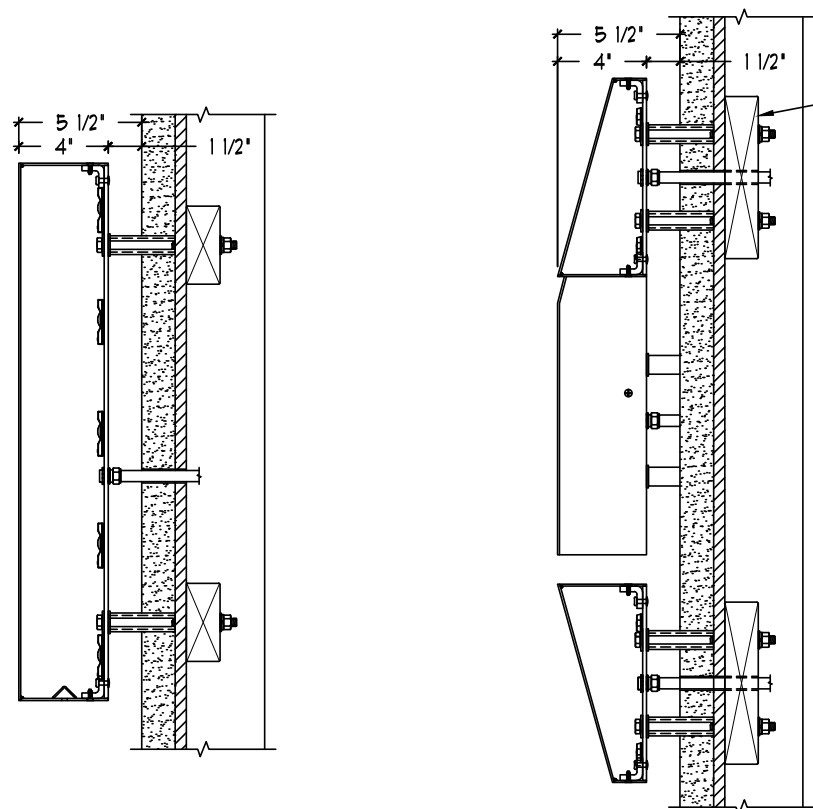
1
7 **PLEX LETTER SECTION DETAIL** **SCALE: 1 1/2" = 1'-0"**



2
7 **LOGO SECTION DETAIL** **SCALE: 1 1/2" = 1'-0"**

ALL POLYCARBONATE ASSEMBLIES SHALL EMPLOY A SOLVENT TYPE CEMENT FOR INITIAL RAPID ASSEMBLY FOLLOWED BY A MONOMER-POLYMER-SOLVENT (MPS) TYPE CEMENT AROUND ALL BONDED EDGES.

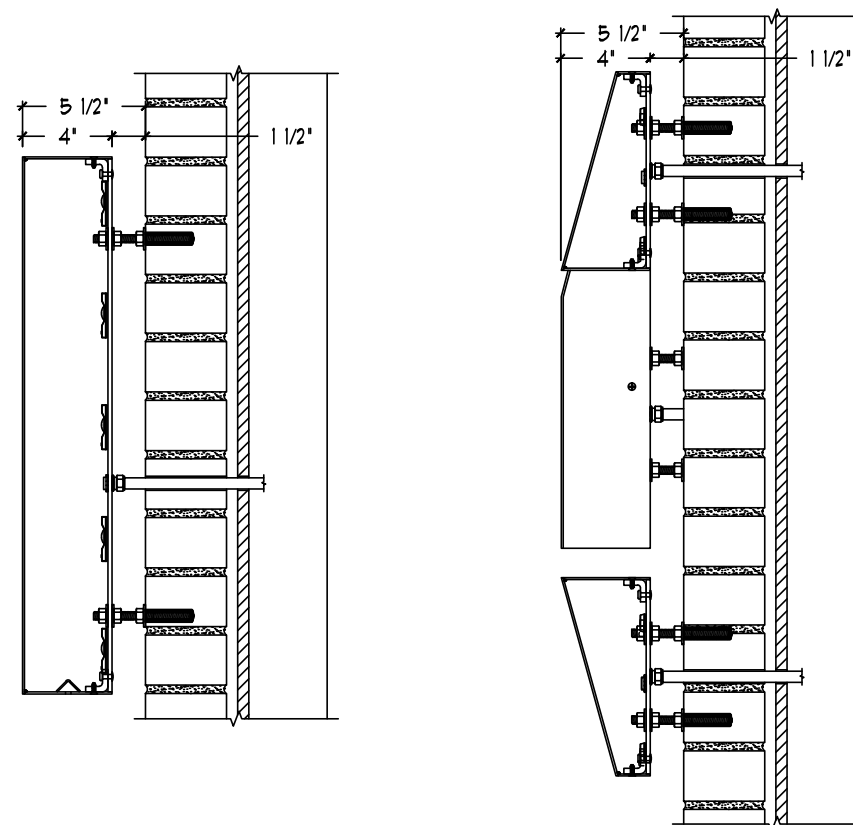
INTERIOR SURFACES OF ALL ALUM. RETURNS & BACKS SHALL BE PAINTED SPRAYLAT STARBRITE WHITE UNLESS OTHERWISE NOTED



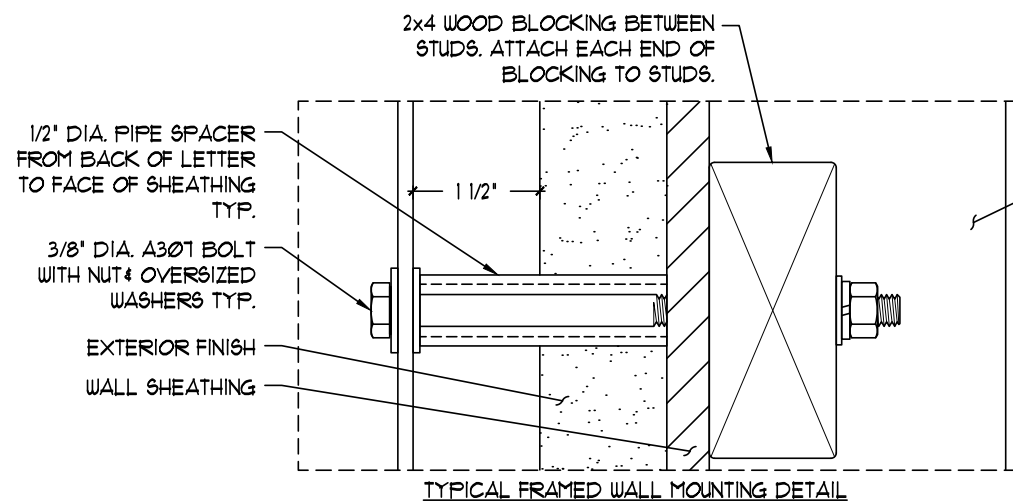
SECTIONS FOR FRAMED WALL INSTALLATION

USE 2x8 WOOD BLOCKING BETWEEN STUDS FOR OCTAGON SEGMENTS. ATTACH EACH END OF BLOCKING TO STUDS.

NOTE:
PIPE SPACER MAY BEAR ON WALL SHEATHING ONLY IF THE SHEATHING IS 1/2" THICK PLYWOOD OR GREATER. IF THE WALL SHEATHING IS PLYWOOD THAT IS LESS THAN 1/2" THICK OR IS ANYTHING OTHER THAN PLYWOOD, THE PIPE SPACER SHALL BE EXTENDED TO BEAR ON THE WOOD BLOCKING BEHIND.



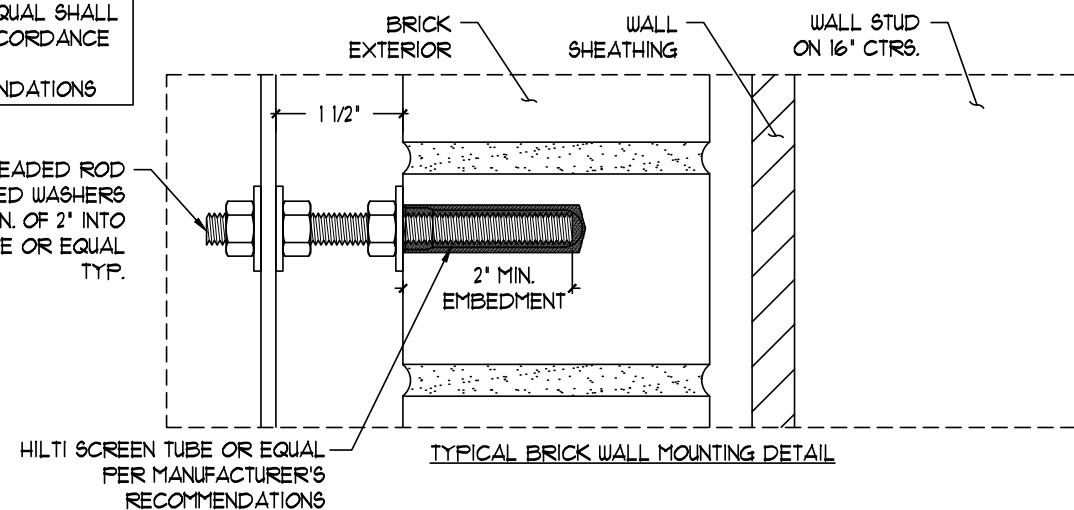
SECTIONS FOR BRICK WALL INSTALLATION



TYPICAL FRAMED WALL MOUNTING DETAIL

HILTI ANCHOR SYSTEM OR EQUAL SHALL BE INSTALLED IN STRICT ACCORDANCE WITH THE MANUFACTURER'S SPECIFICATIONS & RECOMMENDATIONS

3/8" DIA. A36 THREADED ROD WITH NUT & OVERSIZED WASHERS EMBEDDED A MIN. OF 2" INTO HILTI HY-20 ADHESIVE OR EQUAL TYP.



TYPICAL BRICK WALL MOUNTING DETAIL



Signtech™

4444 Federal Blvd. San Diego CA 92102
Phone: (619) 527-6100 / Fax: (619) 527-6111
signtech.com



**JP Morgan Chase Bank
#38100P317668**

6515 Sawmill Rd Dublin,
OH 43017

Initial Date: 02/19/20
Salesperson: Arthur Navarro
Coordinator: Tracey Pichierri
Designer: ASena
Scale: As noted

CUSTOMER APPROVAL

Customer Signature _____ Date _____

COPY, COLORS & SIZES

Signtech does NOT provide primary electrical to sign location - **RESPONSIBILITY OF OTHERS!**

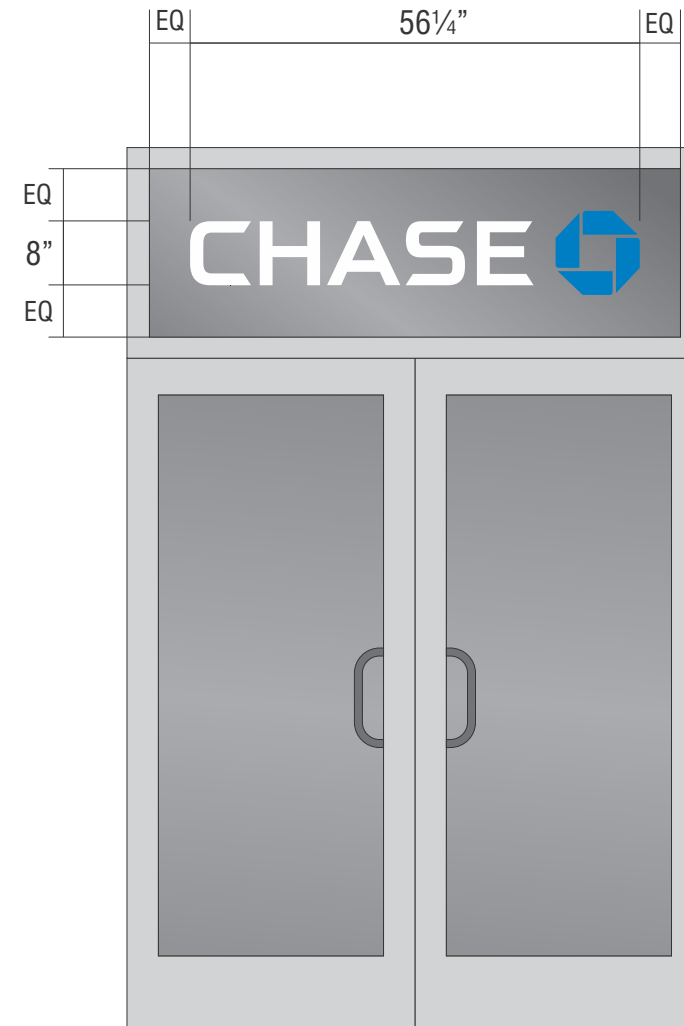
Customer Signature _____ Date _____

This design is the exclusive property of Signtech and cannot be reproduced in whole or in part, without their prior written approval.

Drawing Number: 20-00278

Project ID: CHASE_38100P317668_1

Revision: R3 - 06.10.20



TYPICAL ENTRY DOOR SCALE: 1/2" = 1'-0"

E.3 SIGN TYPE CUSTOM VINYL SQFT 4.95

MANUFACTURE AND INSTALL ONE (1) SET OF FIRST SURFACE VINYL LETTERS/OCTAGON ON TRANSOM WINDOW GLASS

CHASE LETTERS: 3M #7725-20 WHITE VINYL.

LOGO OCTAGON: 3M #7725-47 INTENSE BLUE VINYL.



Signtech™

4444 Federal Blvd. San Diego CA 92102
 Phone: (619) 527-6100 / Fax: (619) 527-6111
 signtech.com



**JP Morgan Chase Bank
 #38100P317668**

6515 Sawmill Rd Dublin,
 OH 43017

Initial Date: 02/19/20
 Salesperson: Arthur Navarro
 Coordinator: Tracey Pichierri
 Designer: ASena
 Scale: As noted

CUSTOMER APPROVAL

Customer Signature _____ Date _____

COPY, COLORS & SIZES

Signtech does NOT provide primary electrical to sign location - **RESPONSIBILITY OF OTHERS!**

Customer Signature _____ Date _____

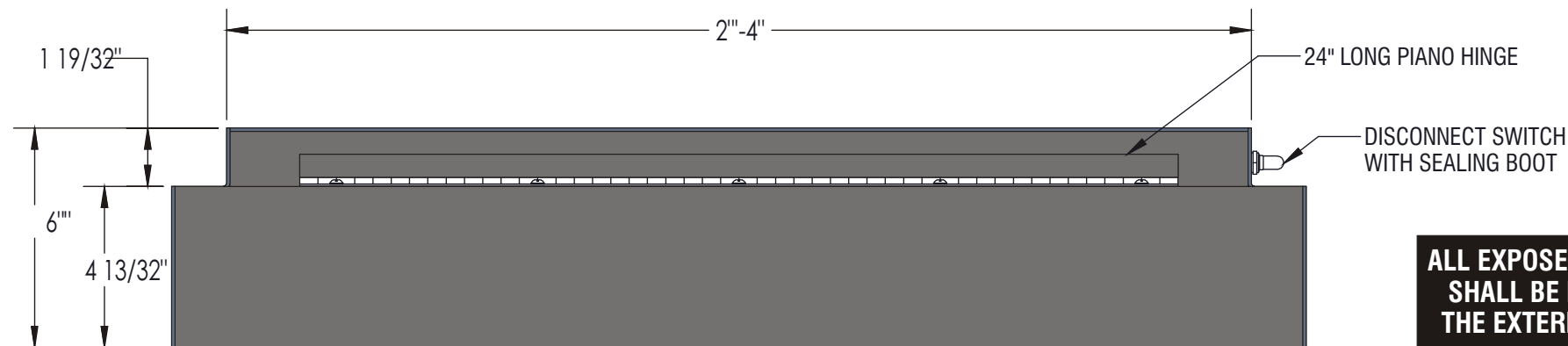
This design is the exclusive property of Signtech and cannot be reproduced in whole or in part, without their prior written approval.

Drawing Number: 20-00278

Project ID: CHASE_38100P317668_1

Revision: R3 - 06.10.20

ADD WEEP HOLES TO THE SIGN

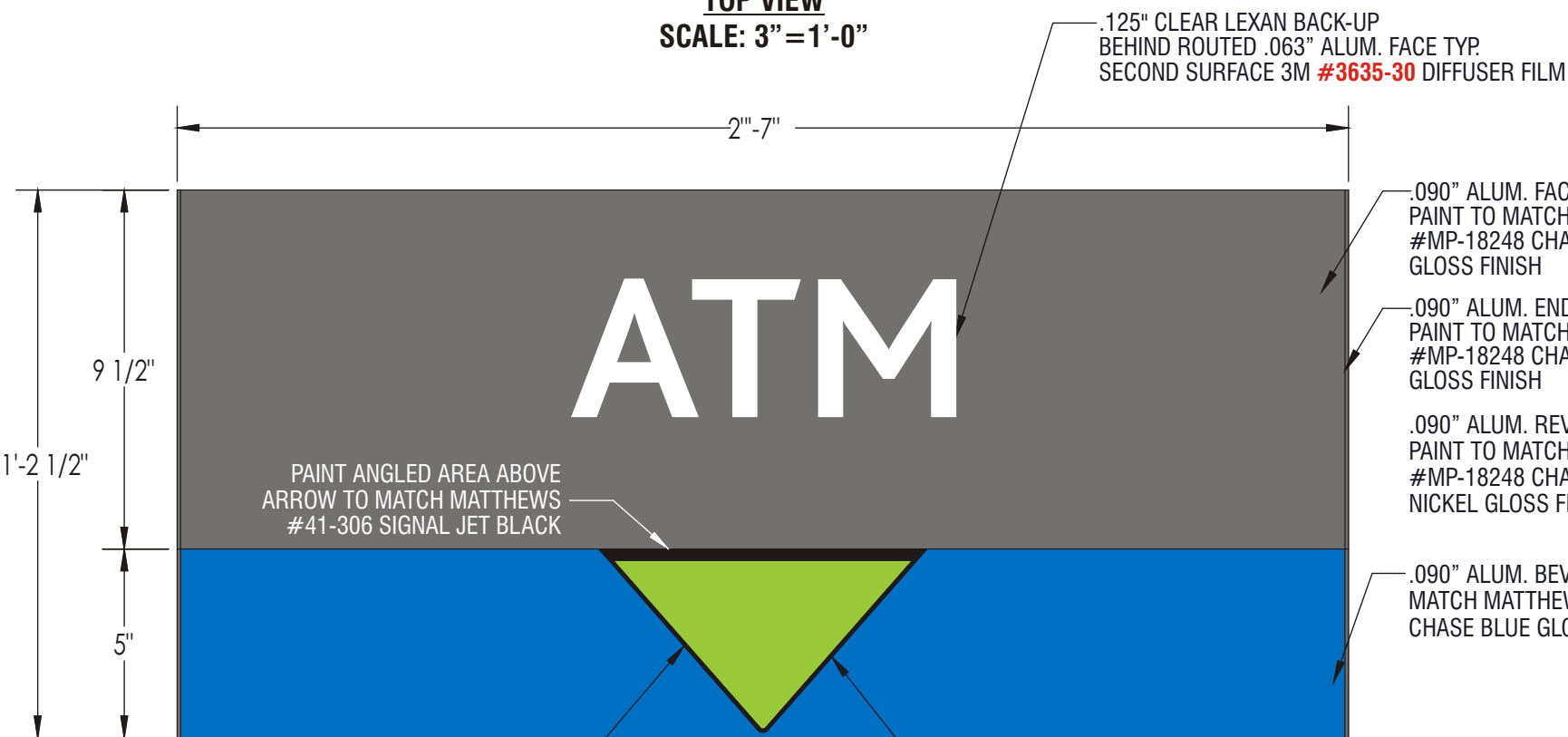


LANE INDICATOR ILLUMINATION GUIDELINES
 WHITE COPY ("ATM"):
 ILLUMINATES 24 HOURS A DAY, 7 DAYS A WEEK
 ARROW:
 ILLUMINATES 24 HOURS A DAY, 5 DAYS A WEEK,
 BRANCH TO SWITCH BETWEEN RED & GREEN
 AS NECESSARY

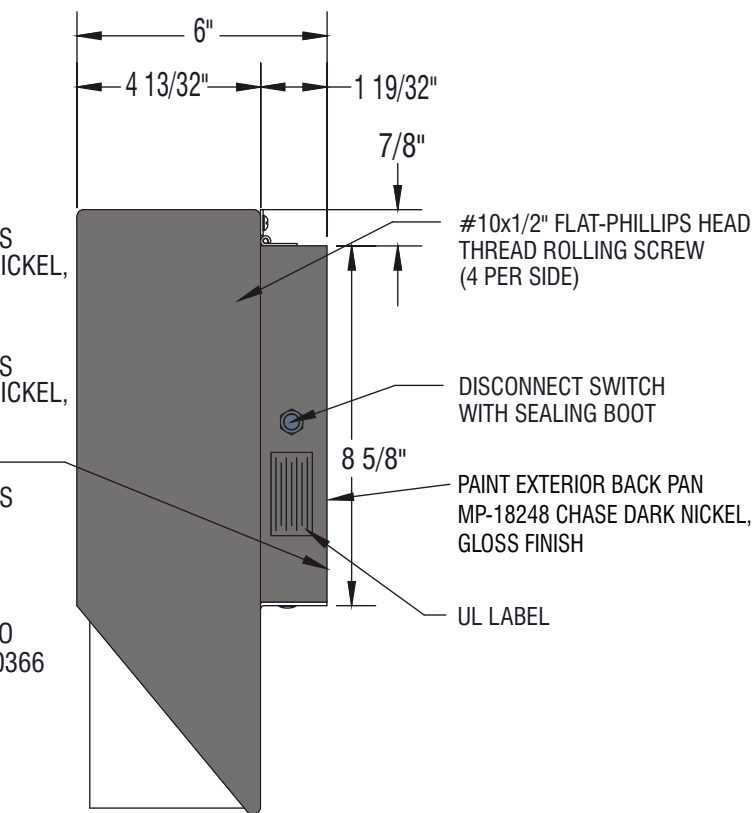
ALL EXPOSED FASTENERS HEADS SHALL BE PAINTED TO MATCH THE EXTERIOR CABINET FINISH

INTERIOR SURFACES SHALL BE PAINTED SPRAYLAT STARBRITE WHITE UNLESS OTHERWISE NOTED

TOP VIEW
SCALE: 3" = 1'-0"



FRONT VIEW
SCALE: 3" = 1'-0"



END VIEW
SCALE: 3" = 1'-0"

ALL EXPOSED PAINTED SURFACES SHALL BE COATED WITH MATTHEWS #282-208SP VOC GLOSS CLEAR, WITH MINIMUM 2 MILS DRY FILM THICKNESS (DFT) PER MATTHEWS APPLICATION SPECIFICATIONS.

NOTES:

- Design is based on 90 mph 3 sec gust design wind speed per IBC 2006. Exposure C. Refer to structural drawings.
- Aluminum shapes be extruded from 6061-T6 alloy. Aluminum sheet shall be 3003-H14 alloy. Aluminum plate shall be 5052-H34 alloy.
- Structural bolts shall be zinc coated A325 unless otherwise noted. All other fasteners shall be stainless steel or otherwise coated to prevent corrosion.
- Welds shall be made a 4000 series for aluminum by persons qualified in accordance with AWS standards within the past two years.
- This design is prototypical and should not be used for site specific applications unless deemed suitable by a competent Professional Engineer.



4444 Federal Blvd. San Diego CA 92102
 Phone: (619) 527-6100 / Fax: (619) 527-6111
 signtech.com



JP Morgan Chase Bank
#38100P317668

6515 Sawmill Rd Dublin, OH 43017

Initial Date: 02/19/20
 Salesperson: Arthur Navarro
 Coordinator: Tracey Pichierri
 Designer: ASena
 Scale: As noted

CUSTOMER APPROVAL

Customer Signature _____ Date _____
COPY, COLORS & SIZES

Signtech does NOT provide primary electrical to sign location - **RESPONSIBILITY OF OTHERS!**

Customer Signature _____ Date _____

This design is the exclusive property of Signtech and cannot be reproduced in whole or in part, without their prior written approval.

Drawing Number: 20-00278

Project ID: CHASE_38100P317668_1

Revision: R3 - 06.10.20

E.11 E.12 SIGN TYPE DU-C

MANUFACTURE & INSTALL TWO (2) INTERNALLY-ILLUMINATED WALL SIGNS w/ ROUT-OUT FACES

10/22/18 REPLACED ADVANCE POWER SUPPLIES WITH AGILIGHT POWER SUPPLIES TRR IK



Signtech™

4444 Federal Blvd. San Diego CA 92102
 Phone: (619) 527-6100 / Fax: (619) 527-6111
 signtech.com



JP Morgan Chase Bank
 #38100P317668

6515 Sawmill Rd Dublin,
 OH 43017

Initial Date: 02/19/20
 Salesperson: Arthur Navarro
 Coordinator: Tracey Pichierri
 Designer: ASena
 Scale: As noted

CUSTOMER APPROVAL

Customer Signature _____ Date _____
COPY, COLORS & SIZES

Signtech does NOT provide primary electrical to sign location -
RESPONSIBILITY OF OTHERS!

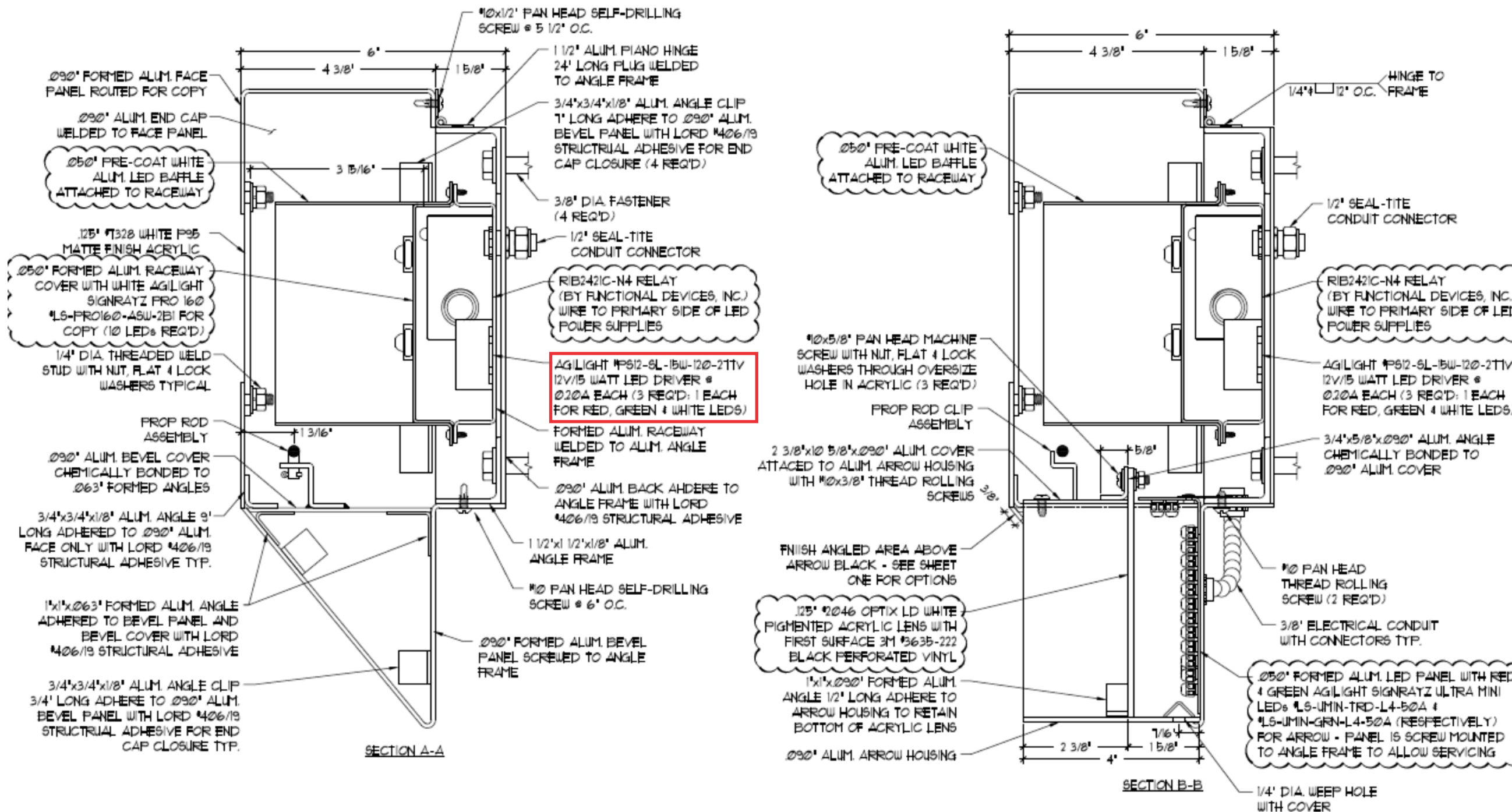
Customer Signature _____ Date _____

This design is the exclusive property of Signtech and cannot be reproduced in whole or in part, without their prior written approval.

Drawing Number: 20-00278

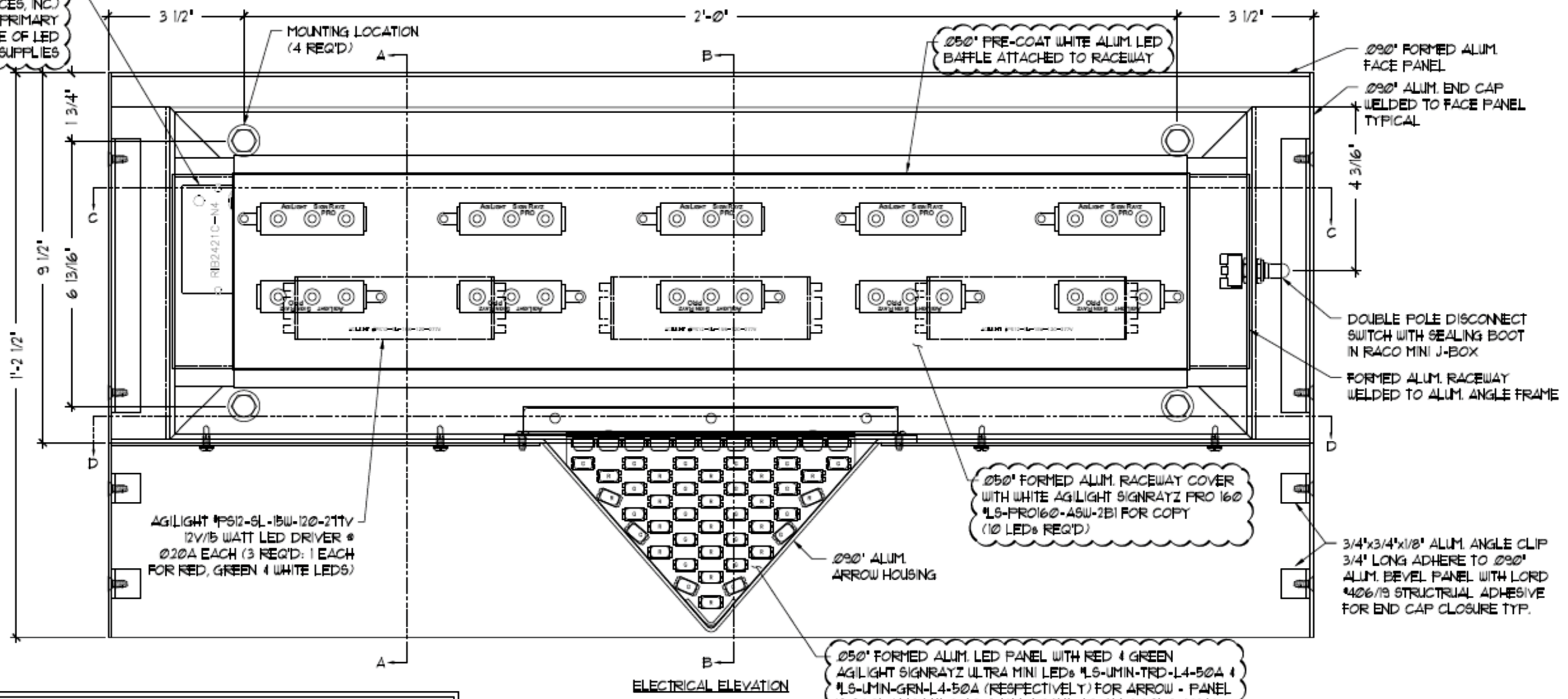
Project ID: CHASE_38100P317668_1

Revision: R3 - 06.10.20



10/22/18 REPLACED ADVANCE POWER SUPPLIES WITH AGILIGHT POWER SUPPLIES TRR IK

RIB2421C-N4 RELAY (BY FUNCTIONAL DEVICES, INC.) WIRE TO PRIMARY SIDE OF LED POWER SUPPLIES



ELECTRICAL REQUIREMENTS:

LEDs COPY: (10) WHITE AGILIGHT SIGNRAYZ PRO 160 *LS-PRO160-ASW-2BI FOR 'ATM', BUSINESS, 'DRIVE-UP', 'NIGHT DROP' & 'EXIT'

LEDs ARROW: (24) AGILIGHT RED SIGNRAYZ ULTRA MINI *LS-UMIN-TRD-L4-50A (21) AGILIGHT GREEN SIGNRAYZ ULTRA MINI *LS-UMIN-GRN-L4-50A

POWER SUPPLY: (3) AGILIGHT *PS12-SL-15W-120-21TV @ 0.20A

TOTAL LOAD: 0.60 AMPS

CIRCUITS: (1) 20 AMP REQ'D.

ALL PRIMARY & SECONDARY WIRING & ELECTRICAL CONNECTIONS SHALL BE IN ACCORDANCE WITH ALL NEC, UL, FEDERAL, STATE & LOCAL CODES.

INTERIOR SURFACES SHALL BE PAINTED SPRAYLAT STARBRITE WHITE UNLESS OTHERWISE NOTED.



Signtech™

4444 Federal Blvd. San Diego CA 92102
 Phone: (619) 527-6100 / Fax: (619) 527-6111
 signtech.com



JP Morgan Chase Bank
 #38100P317668

6515 Sawmill Rd Dublin, OH 43017

Initial Date: 02/19/20
 Salesperson: Arthur Navarro
 Coordinator: Tracey Pichierri
 Designer: ASena
 Scale: As noted

CUSTOMER APPROVAL

Customer Signature _____ Date _____
COPY, COLORS & SIZES

Signtech does NOT provide primary electrical to sign location - **RESPONSIBILITY OF OTHERS!**

Customer Signature _____ Date _____
 This design is the exclusive property of Signtech and cannot be reproduced in whole or in part, without their prior written approval.

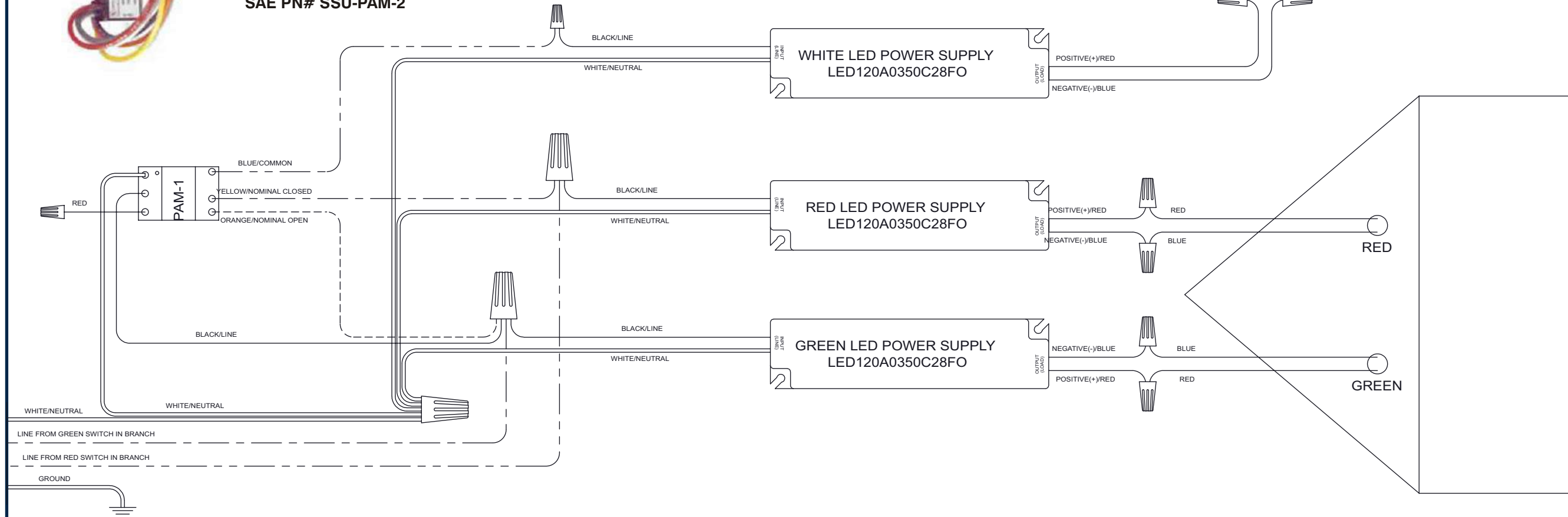
Drawing Number: 20-00278
 Project ID: CHASE_38100P317668_1
 Revision: R3 - 06.10.20

LANE DESIGNATOR WIRING DIAGRAM

Q= 21505
L= 249



SSU-PAM-2 RELAY PROVIDES 7.0 AMP FORM C CONTACTS. THE RELAY MAY BE ENERGIZED BY ONE OF TWO INPUT VOLTAGES: 12VDC OR 24VDC. THE INPUT VOLTAGES ARE POLARITY SENSITIVE AND DIODE PROTECTED. A RED LED IS PROVIDED WHICH, WHEN ILLUMINATED, INDICATES THE RELAY COIL IS ENERGIZED.
SAE PN# SSU-PAM-2



AGILIGHT SLIMLINE 15W 12V Power Supply



Product Information

Part Number	PS12-SL-15W-120-277V
-------------	----------------------

ELECTRICAL REQUIREMENTS

- LEDS COPY:** (1) AGILIGHT LED PANEL PRE-POPULATED WITH WHITE LEDES FOR "ATM", "BUSINESS", & "DRIVE-UP"
- LED ARROW:** (1) AGILIGHT LED PANEL PRE-POPULATED WITH RED & GREEN LEDES
- POWER SUPPLY:** (3) AGILIGHT SLIM-LINE PS12-SL-15W-120-277V @ 0.20A
- RELAY:** (1) PAM-1 RELAY @ 0.015 AMPS PER POSITION
- SWITCH:** (1) TOGGLE SWITCH
- TOTAL LOAD:** 2.1 AMPS
- CIRCUITS:** (1) 20 AMP REQ'D.

Signtech™
4444 Federal Blvd. San Diego CA 92102
Phone: (619) 527-6100 / Fax: (619) 527-6111
signtech.com

MEMBER OF
WASA INTERNATIONAL SIGN ASSOCIATION
CESA CALIFORNIA ELECTRIC SIGN ASSOCIATION

JP Morgan Chase Bank
#38100P317668

6515 Sawmill Rd Dublin, OH 43017

Initial Date: 02/19/20
Salesperson: Arthur Navarro
Coordinator: Tracey Pichierri
Designer: ASena
Scale: As noted

CUSTOMER APPROVAL

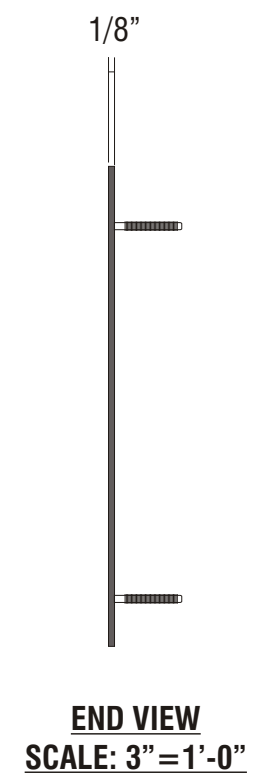
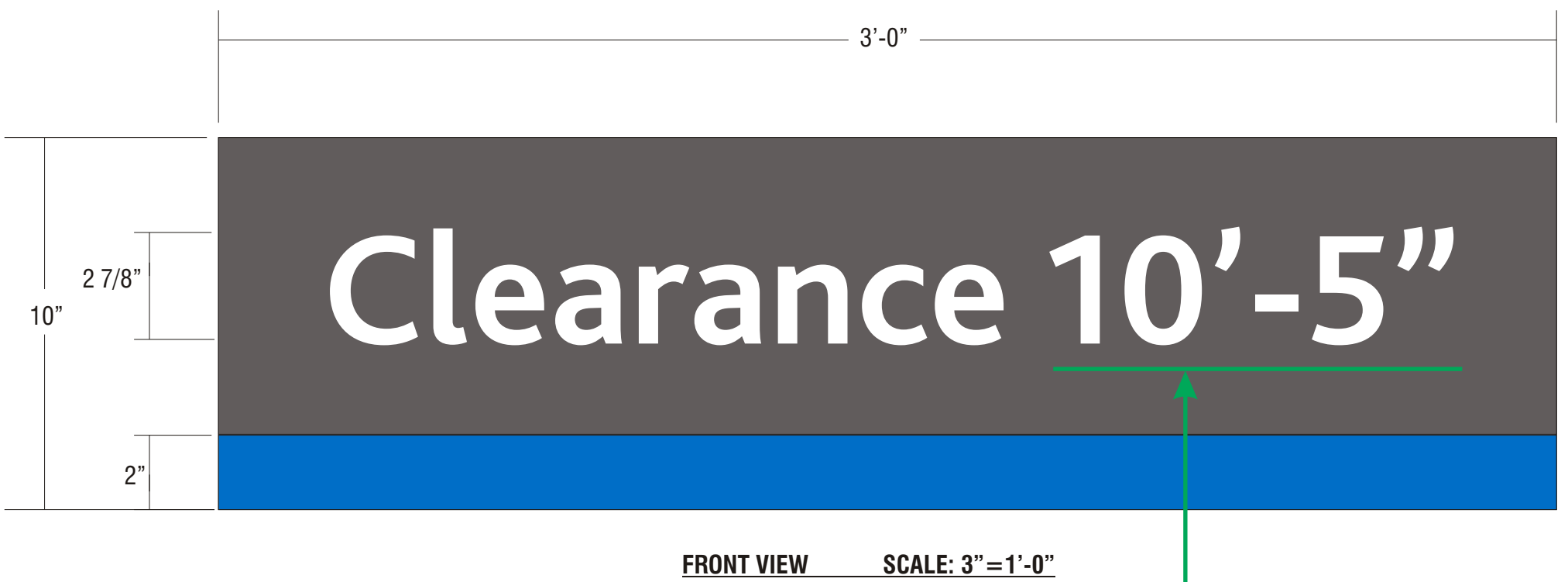
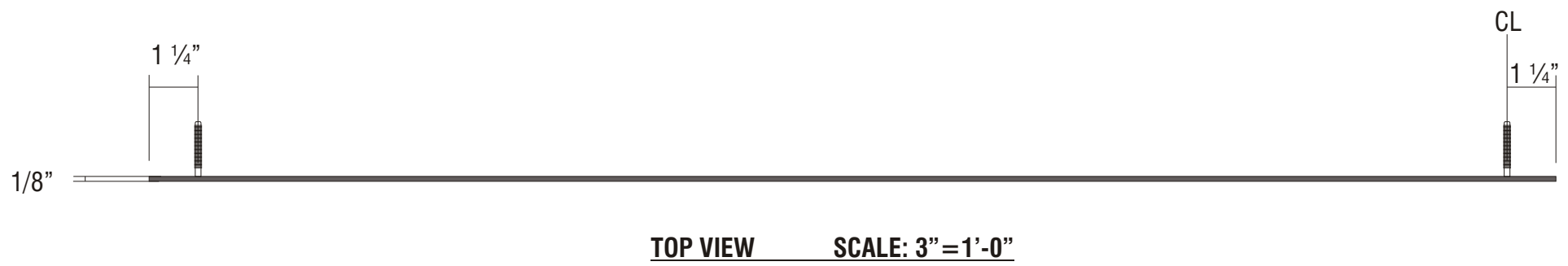
Customer Signature _____ Date _____
COPY, COLORS & SIZES

Signtech does NOT provide primary electrical to sign location - **RESPONSIBILITY OF OTHERS!**

Customer Signature _____ Date _____

This design is the exclusive property of Signtech and cannot be reproduced in whole or in part, without their prior written approval.

Drawing Number: 20-00278
Project ID: CHASE_38100P317668_1
Revision: R3 - 06.10.20



**VERIFY HEIGHT DIMENSION
PER SITE SURVEY**

E.13

SIGN TYPE TC-CL-W

MANUFACTURE AND INSTALL ONE (1) NON-ILLUMINATED S/F CLEARANCE SIGN
FACE: .125" ALUMINUM PAINTED CHASE DARK NICKEL MATTHEWS MP#18248, GLOSS FINISH.
 PAINT ACCENT BAND ACROSS BOTTOM CHASE BLUE MP#00366 BLUE (OR PMS #300 BLUE).
"CLEARANCE": COPY TO BE 3M SCOTCHLITE #680-10 WHITE.
INSTALL: PROVIDE NELSON STUDS OFF BACK SIDE OF ALUM. TO ANCHOR TO WALL SURFACE



Signtech™

4444 Federal Blvd. San Diego CA 92102
 Phone: (619) 527-6100 / Fax: (619) 527-6111
 signtech.com



**JP Morgan Chase Bank
 #38100P317668**

6515 Sawmill Rd Dublin,
 OH 43017

Initial Date: 02/19/20
 Salesperson: Arthur Navarro
 Coordinator: Tracey Pichierri
 Designer: ASena
 Scale: As noted

CUSTOMER APPROVAL

Customer Signature _____ Date _____
COPY, COLORS & SIZES

Signtech does NOT provide primary electrical to sign location -
RESPONSIBILITY OF OTHERS!

Customer Signature _____ Date _____

This design is the exclusive property of Signtech and cannot be reproduced in whole or in part, without their prior written approval.

Drawing Number: 20-00278

Project ID: CHASE_38100P317668_1

Revision: R3 - 06.10.20

EXISTING CONDITIONS



Signtech™

4444 Federal Blvd. San Diego CA 92102
 Phone: (619) 527-6100 / Fax: (619) 527-6111
 signtech.com



**JP Morgan Chase Bank
 #38100P317668**

6515 Sawmill Rd Dublin,
 OH 43017

Initial Date: 02/19/20
 Salesperson: Arthur Navarro
 Coordinator: Tracey Pichierri
 Designer: ASena
 Scale: As noted

CUSTOMER APPROVAL

Customer Signature _____ Date _____

COPY, COLORS & SIZES

Signtech does NOT provide primary
 electrical to sign location -
RESPONSIBILITY OF OTHERS!

Customer Signature _____ Date _____

This design is the exclusive property of Signtech
 and cannot be reproduced in whole or in part,
 without their prior written approval.

Drawing Number: 20-00278

Project ID: CHASE_38100P317668_1

Revision: R3 - 06.10.20

Existing Conditions