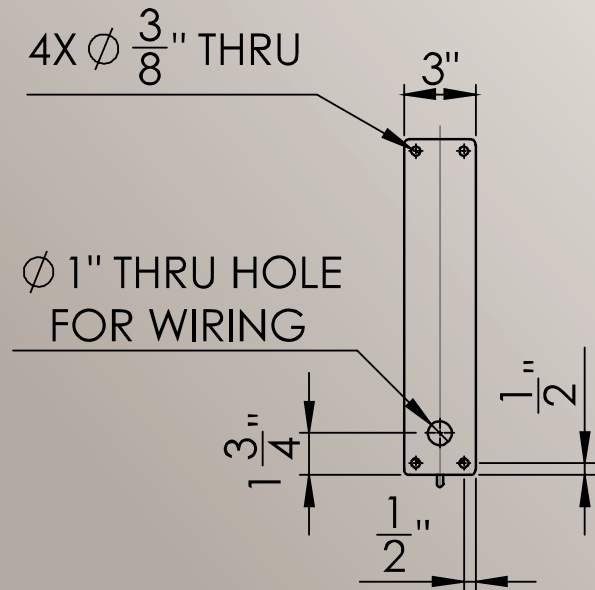
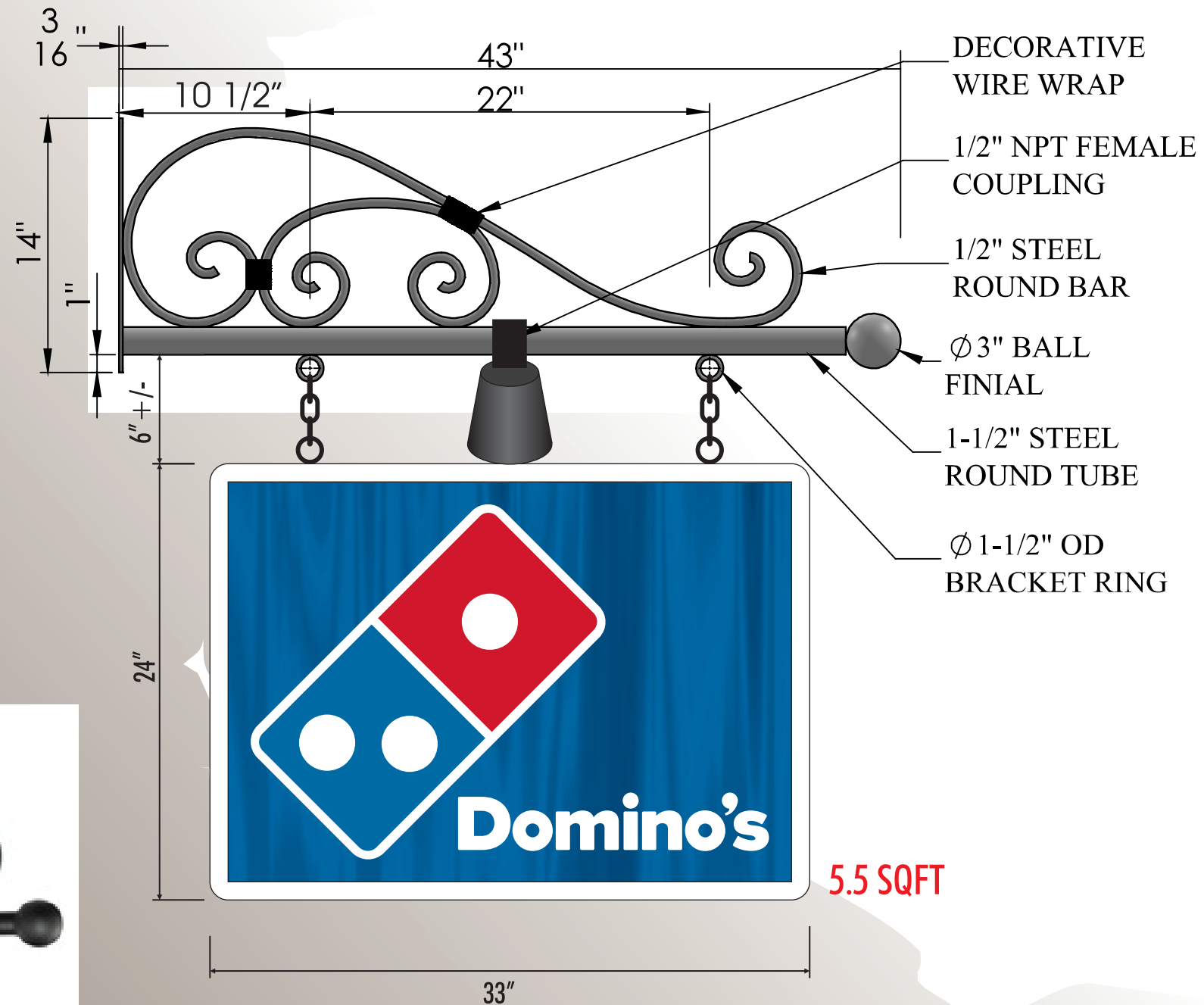


### SIDE VIEW



### FRONT VIEW



**BRACKET WITH DOWN LIGHTING**



**5.5 SQFT**

#S1-35003-R2: D/F ILLUMINATED PROJECTING SIGN 1 1/2" = 1'-0"

- BRACKET: 43" CLASSIC LIGHTED SIGN BRACKET - PAINTED BLACK.
- SIGN: ROUTED HDU WITH ALL WHITE AREAS RAISED, BLUE BACKGROUND RECESSED WITH WOODGRAIN TEXTURE AND PAINTED PMS 307 BLUE. LOGO OVERLAID WITH BLUE AND RED VINYL.



Proudly Serving Central Ohio Since 1954  
 1640 Harmon Ave Columbus, Ohio, 43223  
 (614) 444-3333 (FAX) 444-3026  
 www.danitesign.com

**UL LISTED via STANDARD UL48**  
**FILE NO.:E60042 DaNITE SIGN CO.**

For electrical illuminated signs. For non-illuminated signs, UL does not apply.

**COLORS**

- WHITE
- 3630-127 INTENSE BLUE VINYL (PMS 307 BLUE)
- 3630-33 RED VINYL
- BLACK

APPROVED-CUSTOMER \_\_\_\_\_ DATE \_\_\_\_\_



JOB NAME	DOMINOS - DUBLIN OH	#S1-35003-R2
STREET	8 EAST BRIDGE STREET	
CITY, STATE	DUBLIN, OH	
SIGN TYPE	NON-ILLUMINATED PROJECTING SIGN	
DATE	8/24/18	REV DATE: 1/15/20
FILE NAME	DOMINOS - DUBLIN OH .CDR	
DIRECTORY	GRAIG > DOMINOS	

SCALE AS NOTED SALE MC DESIGNER TK

This project is an original unpublished design concept protected by copyright laws of The United States of America. Prior to sale or print design fees, all visual materials, specifications, annexes and revisions remain the exclusive property of DaNite Sign Company. The use of any part herein to manufacture, sell or adapt this concept to other mediums by unauthorized parties constitutes an actionable plagiarism.





EAST BRIDGE STREET ELEVATION 3/16" = 1'-0"



NORTH HIGH STREET ELEVATION 3/16" = 1'-0"



Proudly Serving Central Ohio Since 1954  
 1640 Harmon Ave Columbus, Ohio, 43223  
 (614) 444-3333 (FAX) 444-3026  
 www.danitesign.com

**UL LISTED via STANDARD UL48**  
**FILE NO.:E60042 DaNITE SIGN CO.**

For electrical illuminated signs. For non-illuminated signs, UL does not apply.

**COLORS**

- WHITE
- 3630-127 INTENSE BLUE VINYL (PMS 307 BLUE)
- 3630-33 RED VINYL
- BLACK

APPROVED-CUSTOMER \_\_\_\_\_ DATE \_\_\_\_\_



JOB NAME	DOMINOS - DUBLIN OH #S1-35003-R2	
STREET	8 EAST BRIDGE STREET	
CITY, STATE	DUBLIN, OH	
SIGN TYPE	NON-ILLUMINATED PROJECTING SIGN	
DATE	8/24/18	REV DATE: 1/15/20
FILE NAME	DOMINOS - DUBLIN OH .CDR	
DIRECTORY	GRAIG > DOMINOS	

SCALE AS NOTED SALE MC DESIGNER TK

This project is an original unpublished design concept protected by copyright laws of The United States of America. Prior to sale or print design fees, all visual materials, specifications, annexes and revisions remain the exclusive property of DaNite Sign Company. The use of any part herein to manufacture, sell or adapt this concept to other mediums by unauthorized parties constitutes an actionable plagiarism.