

Internally Illuminated Aluminum Sign Cabinet
 Single-faced, push thru graphics with LED internal illumination. Cabinet supported by 4" aluminum tube legs painted black, 1' above grade.
 White background, black lettering

Night View:



Client: Greco Law Drawing Date: 09-22-20
 Project Name: Monument sign Drawing #: 20-636 SP: JN D: AW

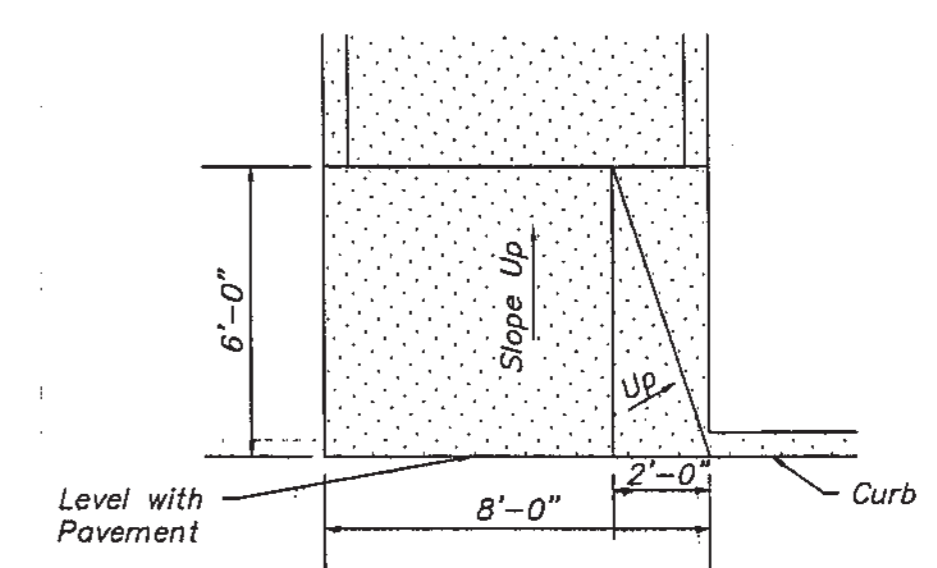
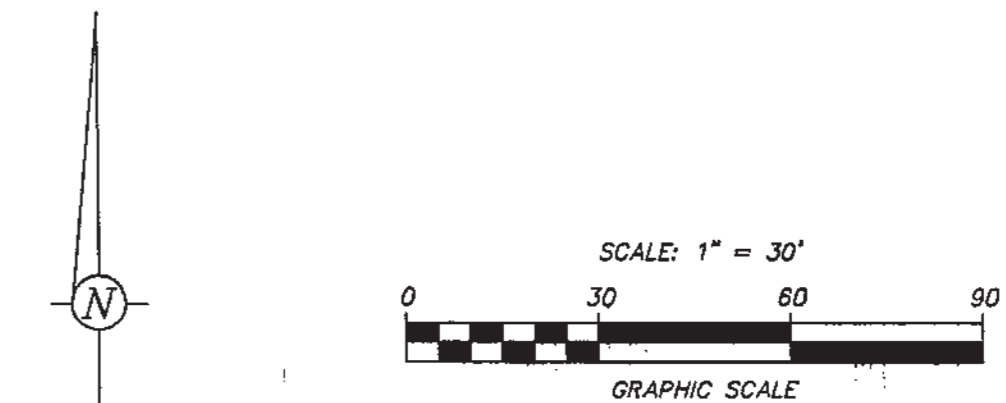
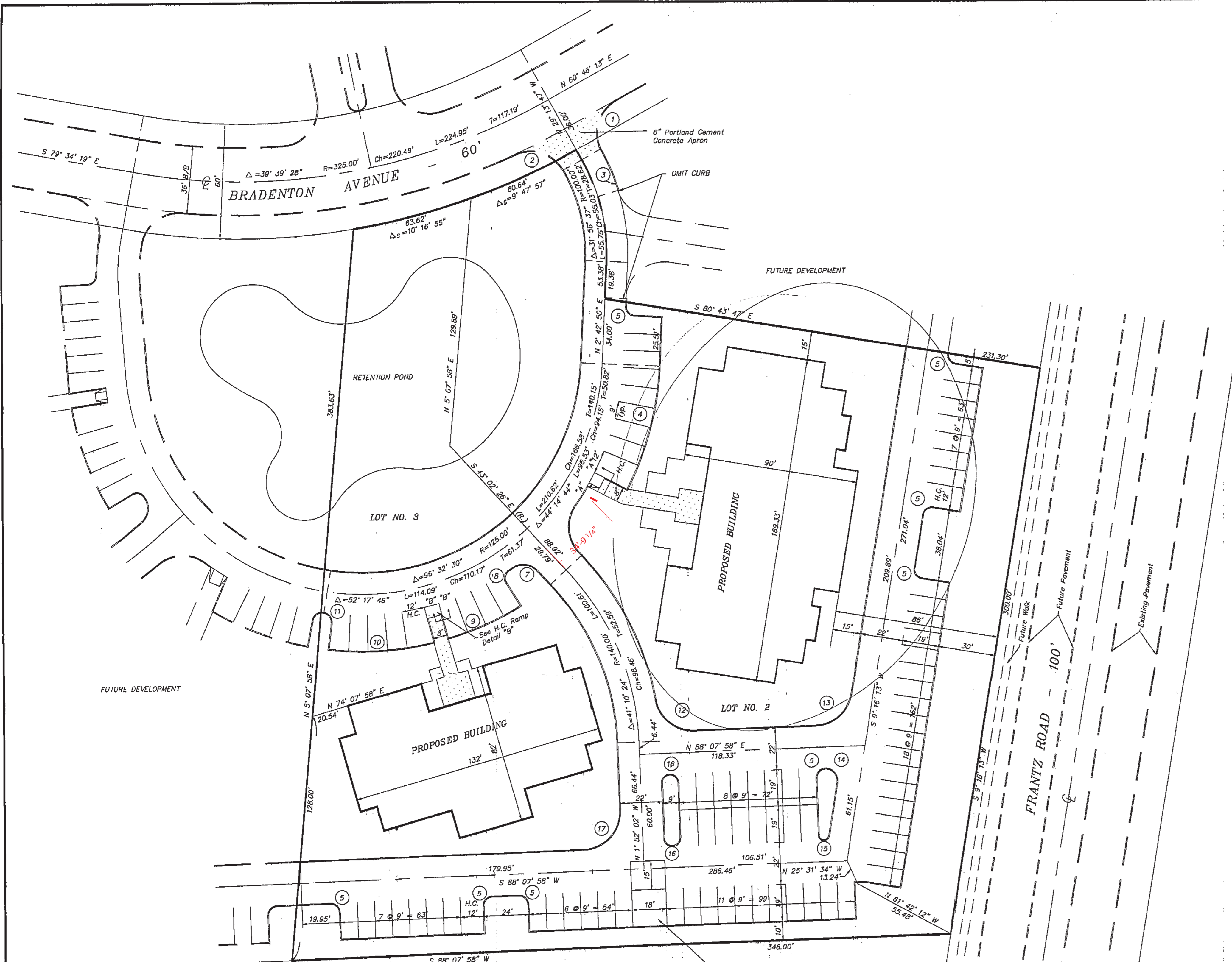


This sign is intended to be installed in accordance of article 600 of the National Electric Code and or other applicable local codes. This includes proper grounding and bonding of the sign.

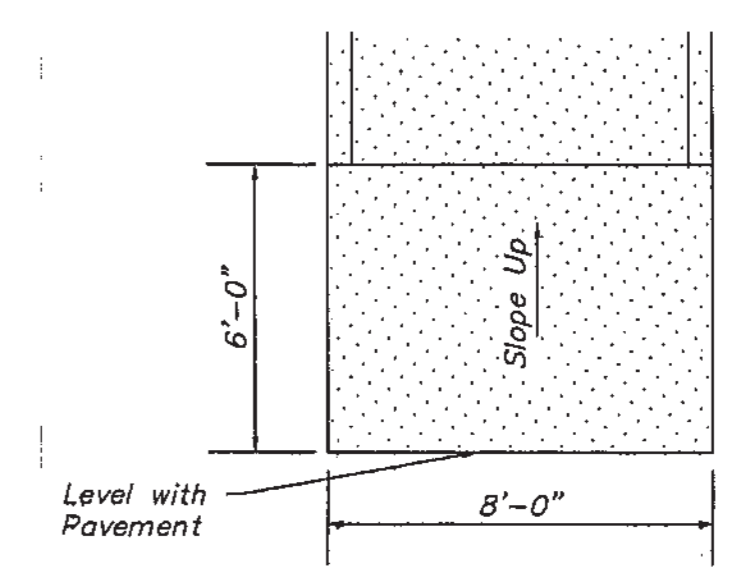
Copy, colors, size, quantity

APPROVAL:

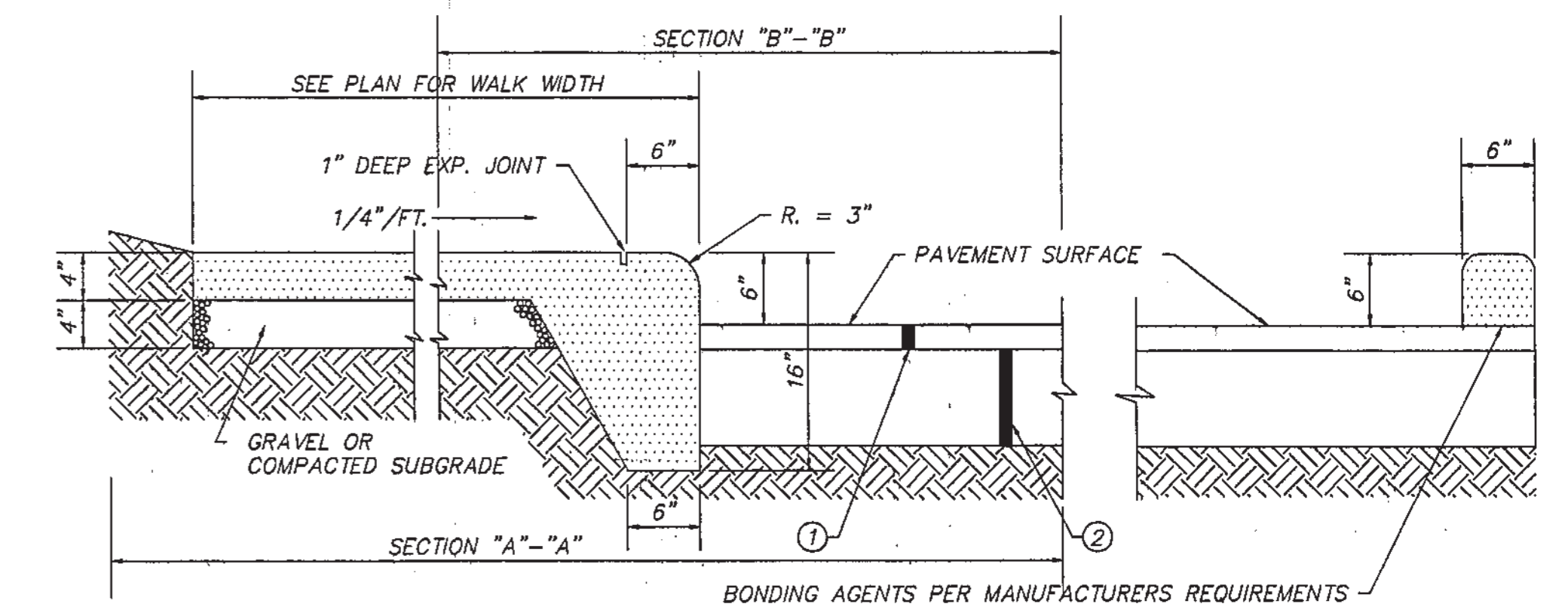
Client Signature: _____ Date: _____



HANDICAPPED RAMP DETAIL "A"



HANDICAPPED RAMP DETAIL "B"



- ① 2" HOT MIXED, HOT LAID, ASPHALT CONCRETE (85-100) ITEM 404 - COMPACTED IN TWO 1" LAYERS.
- ② 8" AGGREGATE BASE, ITEM 304 - COMPACTED IN TWO 4" LAYERS.

DETAIL OF COMBINED CURB, WALK, PAVEMENT & EXTRUDED CONCRETE CURB
NO SCALE

CURVE DATA					
NO.	Δ	R	L	Ch	T
1	89° 20' 38"	19.50' B/C	30.41'	27.42'	19.28'
2	79° 28' 07"	19.50' B/C	27.05'	24.93'	16.21'
3	11° 57' 49"	111.50'	22.31'	22.27'	11.19'
4	24° 38' 29"	155.00'	66.66'	66.15'	33.85'
5	90° 00' 00"	5.00'	7.85'	7.07'	5.00'
6	84° 12' 19"	20.00'	29.39'	26.82'	18.07'
7	81° 43' 48"	10.00'	14.27'	13.09'	8.65'
8	87° 58' 04"	5.00'	7.68'	6.95'	4.83'
9	15° 13' 42"	155.00'	41.20'	41.08'	20.72'
10	20° 34' 26"	155.00'	55.66'	55.36'	28.13'
11	87° 58' 04"	5.00'	7.68'	6.95'	4.83'
12	81° 44' 38"	20.00'	28.53'	26.18'	17.31'
13	78° 51' 45"	20.00'	27.53'	25.41'	16.45'
14	101° 08' 15"	6.54'	11.54'	10.10'	7.95'
15	168° 51' 45"	3.00'	8.84'	5.97'	—
16	180° 00' 00"	4.50'	—	—	—
17	90° 00' 00"	20.00'	31.42'	28.28'	20.00'

NOTE: All curve data is to face of curb unless otherwise indicated.

PARKING DATA
 Lot No. 2 = 51 Parking Spaces including 2 handicapped spaces.
 Lot No. 3 = 34 Parking Spaces including 2 handicapped spaces.

C.F. BIRD & R.J. BULL, INC.
 ENGINEERS / SURVEYORS
 2875 W. DUBLIN - GRANVILLE RD.
 WORTHINGTON, OHIO

THE DAIMLER GROUP

STAKING PLAN
 FOR
 LOT NOS. 2 & 3
 LLEWELLYN FARMS WEST

SCALE: 1"=30'
 DWN: DJB CKD: HEB JUNE 22, 1988 JOB NO. 88-022 1