

ODMB Specs for Permitting

Tim Hortons

Drive Thru Digital Menu Board Program Overview

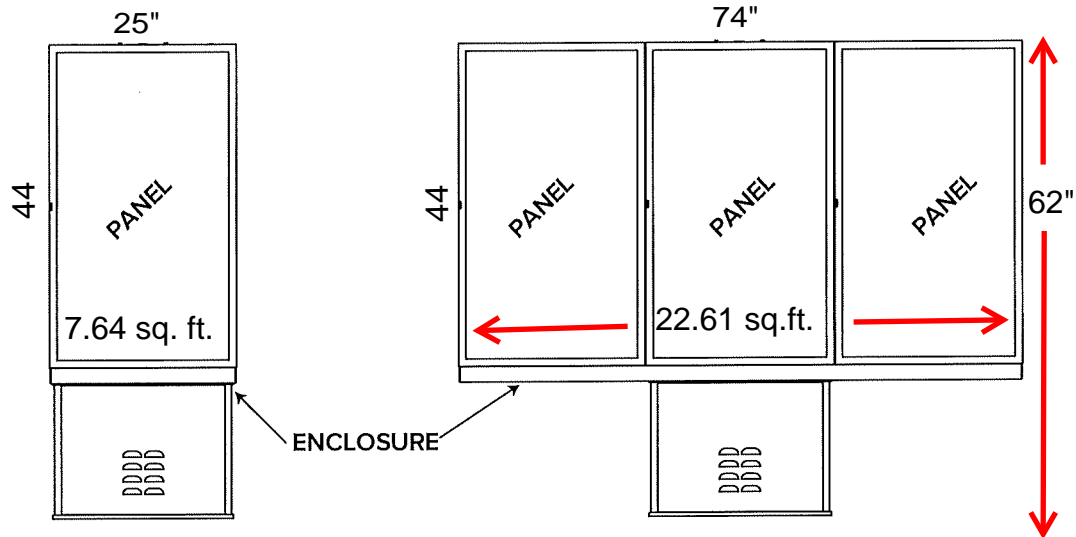
The US Development team, working together with the Digital team, are pleased to announce updates to improve our Guests' drive-thru experience and restaurant image. With drive-thru accounting for more than 60% of sales, the Tim Hortons® Welcome Image is evolving to include an update to our drive-thru by incorporating Drive Thru Digital Menu Boards (DT DMB), which will provide a more modern image and promote more opportunities to sell our products to our guests.

DT DMBs will be available for all restaurants in US:

- ◆ New restaurants
- ◆ Restaurants ready for renovations
- ◆ Recently renovated restaurants
- ◆ Restaurants that aren't due for renovations

Single Order Drive-Thru: One Digital Pre-Sell and one Digital Menu Board are required, where possible.

Samsung & Nu-Way Product Components (Per Drive-Thru)



Item	Description	Quantity
Enclosure	Metal casing by Nu-Way that holds panels. There will be an enclosure each for the pre-sell and the menu board.	2
Panels	1080P Samsung screens protected by tempered Magic Glass will be used as display panels. There will be 1 panel for the pre-sell board and 3 Panels for the main menu board.	4
Speaker & Mic (not shown)	Restaurants will maintain their existing speaker if non-integrated or will install a non-integrated speaker if currently integrated. This can be ordered in addition to the menu board.	n/a
Order Confirmation Screen (OCS) (not shown)	With DT DMBs, the Order Confirmation Screen (OCS) is integrated into the content. As the guests order, part of the center panel will switch to the OCS	n/a

Samsung & Nu-Way Key Features

Hardware 5-year Warranty

- ◆ White glove next day service for displays
- ◆ Technician removes original unit, installs replacement, and ships non-working unit to Samsung within 24 hours of a placed service call
- ◆ Does not require filter replacement; reducing maintenance cost

Highly Visible and Bright Display

- ◆ High 3,000-nit brightness
- ◆ Auto brightness sensor
- ◆ 5,000:1 contrast ratio
- ◆ Magic Glass cuts glare from direct sunlight exposure
- ◆ Polarizing technology enables clear visibility for viewing with polarized sunglasses

Environmental Reliability

- ◆ Cooling system with heat exchanger for extreme temperatures of -33° C to 50° C (interior board temperature)
- ◆ IP56-certified to withstand the sun, wind-driven dust, hose-driven water, rain, sleet, snow and corrosion
- ◆ Designed and tested to withstand corrosion from salt air
- ◆ Designed to withstand internal corrosion due to vehicle exhaust emissions

Durability

- ◆ IK10-certified 5mm (0.19") tempered Magic Glass
- ◆ Protects from ballistic impact and uses a special coating to protect against graffiti

Low Operating Noise Level

- ◆ Advanced cooling technology that's designed to be quiet
-

SOIL CLASS 5 : THREADED ROD ANCHOR SYSTEM

WIND LOAD

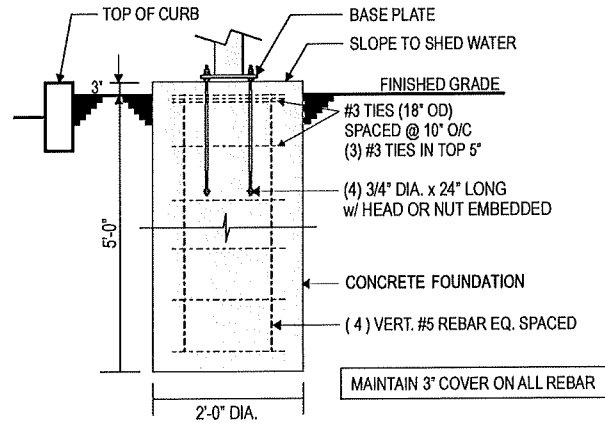
115 MPH (ASCE 7-10)

DESIGN PARAMETERS:
 2015 INTERNATIONAL BUILDING CODE
 ASCE 7-10
 WIND SPEED DATA
 1. BASIC WIND SPEED = 115 MPH
 (3 SEC. GUST)
 2. RISK CATEGORY II
 3. WIND EXPOSURE C
 4. INTERNAL PRESSURE COEF. N/A
 5. COMPONENT AND CLADDING N/A

MATERIALS:
 GRADE F1554 Gr 36 ANCHOR BOLTS
 GRADE A615 60 KSI REBAR
 3000 PSI CONCRETE @ 28 DAYS

CLASS 5 SOIL:
 1500 PSF SOIL BEARING
 100 PSF/LF SOIL LATERAL BEARING
 UNDISTURBED SOIL

FOUNDATION DETAIL



WIND LOAD

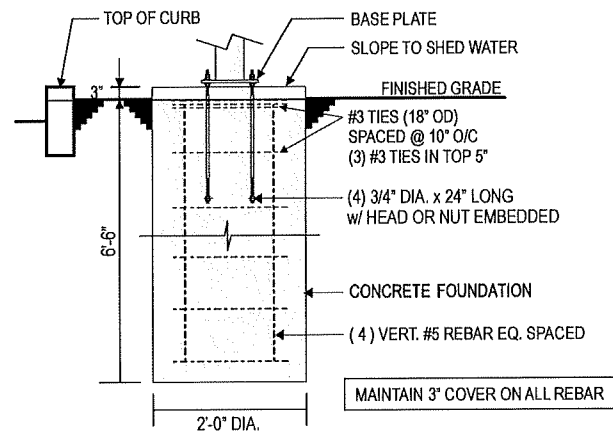
150 MPH (ASCE 7-10)

DESIGN PARAMETERS:
 2015 INTERNATIONAL BUILDING CODE
 ASCE 7-10
 WIND SPEED DATA
 1. BASIC WIND SPEED = 150 MPH
 (3 SEC. GUST)
 2. RISK CATEGORY II
 3. WIND EXPOSURE C
 4. INTERNAL PRESSURE COEF. N/A
 5. COMPONENT AND CLADDING N/A

MATERIALS:
 GRADE F1554 Gr 36 ANCHOR BOLTS
 GRADE A615 60 KSI REBAR
 3000 PSI CONCRETE @ 28 DAYS

CLASS 5 SOIL:
 1500 PSF SOIL BEARING
 100 PSF/LF SOIL LATERAL BEARING
 UNDISTURBED SOIL

FOUNDATION DETAIL



WIND LOAD

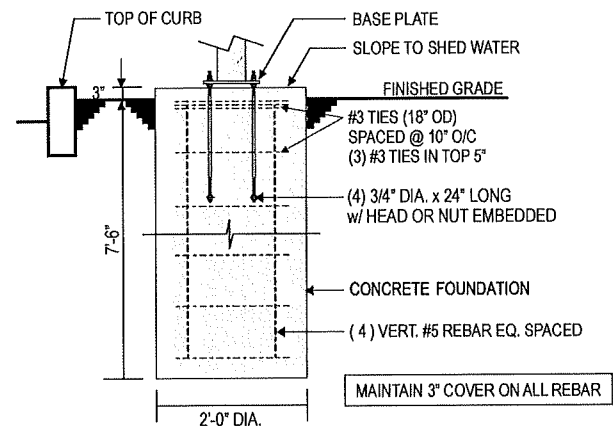
180 MPH (ASCE 7-10)

DESIGN PARAMETERS:
 2015 INTERNATIONAL BUILDING CODE
 ASCE 7-10
 WIND SPEED DATA
 1. BASIC WIND SPEED = 180 MPH
 (3 SEC. GUST)
 2. RISK CATEGORY II
 3. WIND EXPOSURE C
 4. INTERNAL PRESSURE COEF. N/A
 5. COMPONENT AND CLADDING N/A

MATERIALS:
 GRADE F1554 Gr 55 ANCHOR BOLTS
 GRADE A615 60 KSI REBAR
 3000 PSI CONCRETE @ 28 DAYS

CLASS 5 SOIL:
 1500 PSF SOIL BEARING
 100 PSF/LF SOIL LATERAL BEARING
 UNDISTURBED SOIL

FOUNDATION DETAIL



SOIL CLASS 5 : HILTI ADHESIVE ANCHOR SYSTEM

WIND LOAD

115 MPH (ASCE 7-10)

DESIGN PARAMETERS:

2015 INTERNATIONAL BUILDING CODE

ASCE 7-10 WIND SPEED DATA:

1. BASIC WIND SPEED = 115 MPH (3 SEC. GUST)
2. RISK CATEGORY II
3. WIND EXPOSURE C
4. INTERNAL PRESSURE COEF. N/A
5. COMPONENT AND CLADDING N/A

MATERIALS:

HILTI ADHESIVE ANCHOR SYSTEM

Ø3/4" HAS-V-36 HDG + HIT-HY 200

GRADE A615 60 KSI REBAR

3000 PSI CONCRETE @ 28 DAYS

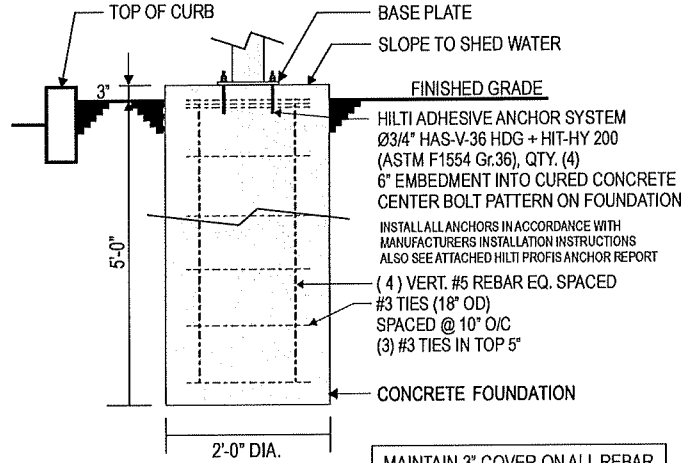
CLASS 5 SOIL:

1500 PSF SOIL BEARING

100 PSF/LF SOIL LATERAL BEARING

UNDISTURBED SOIL

FOUNDATION DETAIL



Product Specifications

Specifications & Measurements		
Display	Samsung Model	OH46F
	Panel Type	120Hz E-LED BLU
	Display Size (inches)	46 (45.9 diagonal)
	Orientation	Portrait
	Resolution (pixels)	1920 x 1080 (Full HD)
	Brightness (typ.)	3,000 nits
	Contrast Ratio (typ.)	5000:01:00
	Protection Glass	5T Tempered
	Viewing Angle (H/V)	178/178
	Operation Hour	24/7
Environment	Operating Temperature (°C)	-30 to +50
	Operating Humidity (%)	10-80%
	I.P Certification	IP56
Connectivity	Input	HDMI(2), HDBaseT LAN, USB 2.0, RS232
	Output	RJ45LAN, RS232, Stereo Mini Jack
	External Control	RS23C (in/Out), RJ45 (In/Out), HDBaseT
Power	Input Power	AC 100-240 V, 50/60 Hz
	Output Power	Duplex GFCI
	Power Consumption (W)	See chart on page 2
Enclosure Dimensions	Width (inches)	Pre-Sell: 24.56 Menu Board: 73.56
	Height (inches)	61.81
	Depth (inches)	14.75
	Base Width (inches)	Pre-Sell: 23.75 Menu Board: 23.75
	Base Depth (inches)	14
Enclosure Weight	Pre-Sell (lbs)	Approx. 205
	Menu Board (lbs)	Approx. 330
Minimum Service Clearance	Front of Enclosure	120 CM
	Back of Enclosure	60 CM
	Sides of Enclosure	90 CM

APPENDIX A

OVERALL SYSTEM SPECIFICATIONS

	TRIPLE 46" DT DMB SYSTEM (NW4634XX)		PRE-SELL 46" DT DMB SYSTEM (NW4614XX)	
	W/ DISPLAYS	W/O DISPLAYS	W/ DISPLAYS	W/O DISPLAYS
SYSTEM WEIGHT	616 LBS	330 LBS	300 LBS	205 LBS
DISPLAY TYPE	Samsung 46" OHF series LCD		Samsung 46" OHF series LCD	
SIZE	73.56" W X 61.81" T X 14.75" D		24.56" W X 61.81" T X 14.75" D	
FRAME MATERIALS	2X4 AND 2X8 STEEL TUBING			
PEDESTAL MATERIALS	1/2" STEEL HRPO BASE PLATE, 1/4" STEEL HRPO TOP PLATE, 10GA CRS WALLS			
SYSTEM FINISH	DURABLE OUTDOOR RATED POWDERCOAT FINISH			
IP RATING	IP56 (MONITOR ONLY)			
UL LISTING	E495423: CONFORMS TO UL 60950-1 & CAN/CSA C22.2 #. 60950-1-07			
POWER TYPE	AC 110V~ (+/- 10%) @ 60 Hz			