

01

SCALE: 3/4" = 1'-0"

$\frac{1}{3}$ Head

$\frac{1}{4}$ Jamb

$\frac{1}{5}$ Sill

$\frac{1}{6}$ Divided Lite

$\frac{1}{7}$ Checkrail

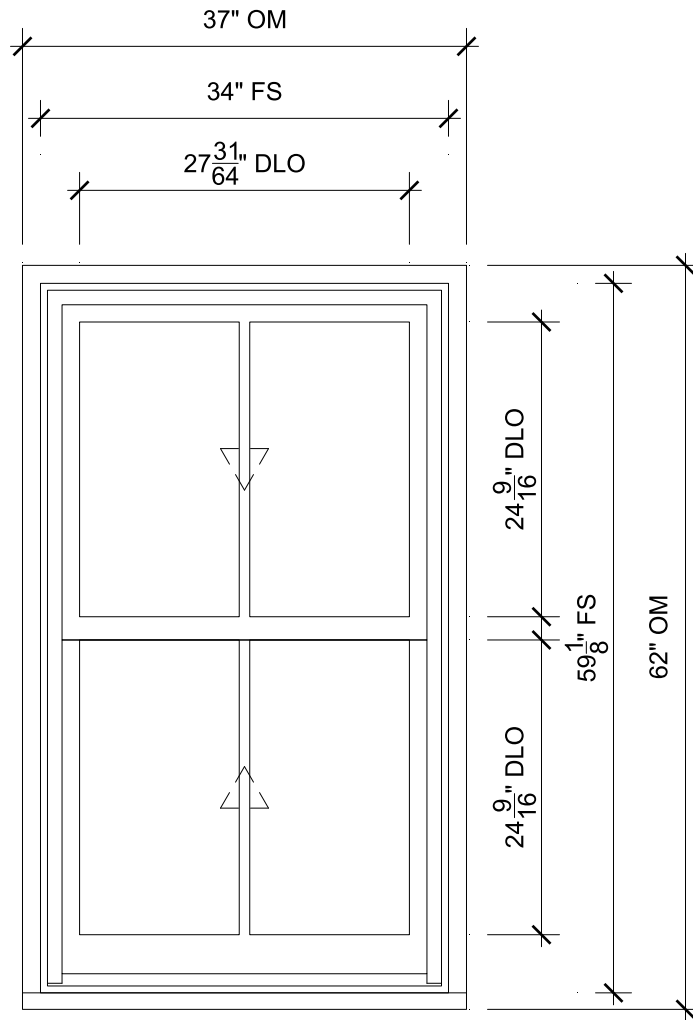
FOR DESIGN INTENT ONLY, NOT FOR MANUFACTURE.



PROJ/JOB: 53 N high Dublin / New Project 1
 DIST/DEALER: SPECIALTY NORTH AMERICAN
 DRAWN: RUSS ARMSTRONG
 QUOTE#: AQNN8UQ PK VER: 0003.09.00

CREATED: 08/05/2021 REVISION:

SHEET
 1
 OF 10



02

SCALE: 3/4" = 1'-0"



Head



Jamb



Sill



Divided Lite



Checkrail

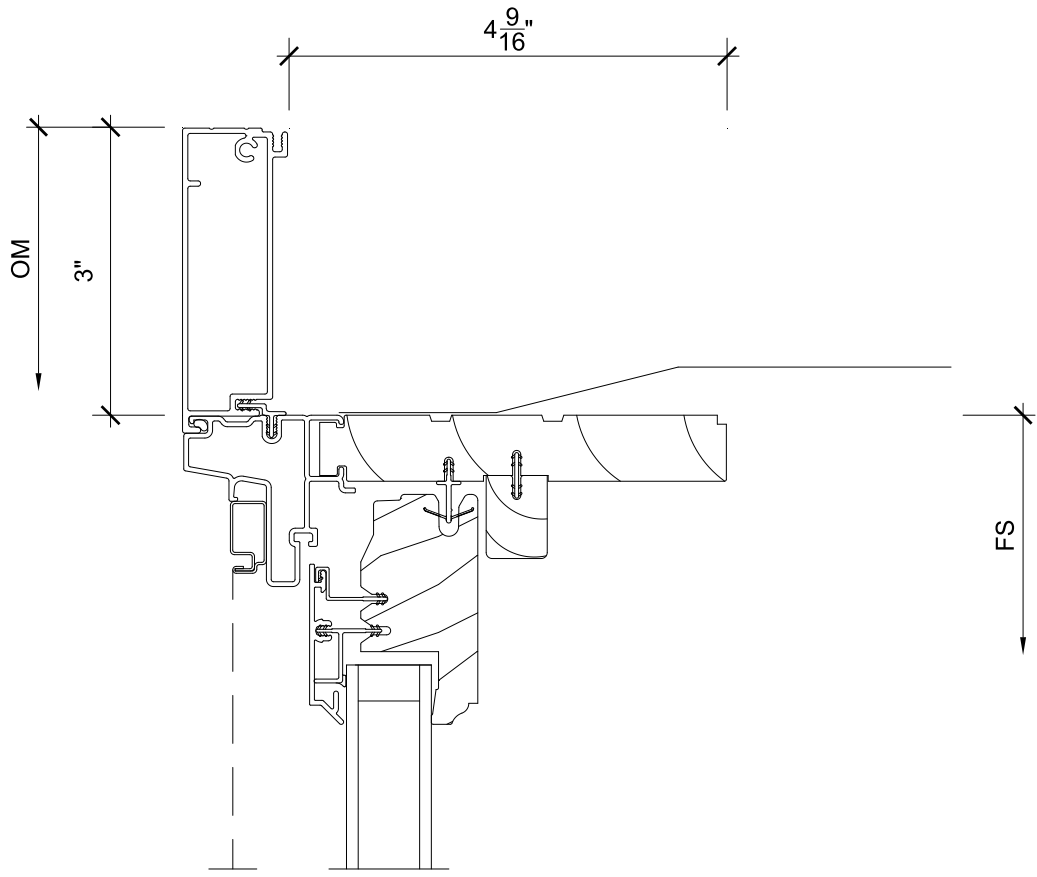
FOR DESIGN INTENT ONLY, NOT FOR MANUFACTURE.



PROJ/JOB: 53 N high Dublin / New Project 1
 DIST/DEALER: SPECIALTY NORTH AMERICAN
 DRAWN: RUSS ARMSTRONG
 QUOTE#: AQNN8UQ PK VER: 0003.09.00

CREATED: 08/05/2021 REVISION:

SHEET
 2
 OF 10



1
3

Head

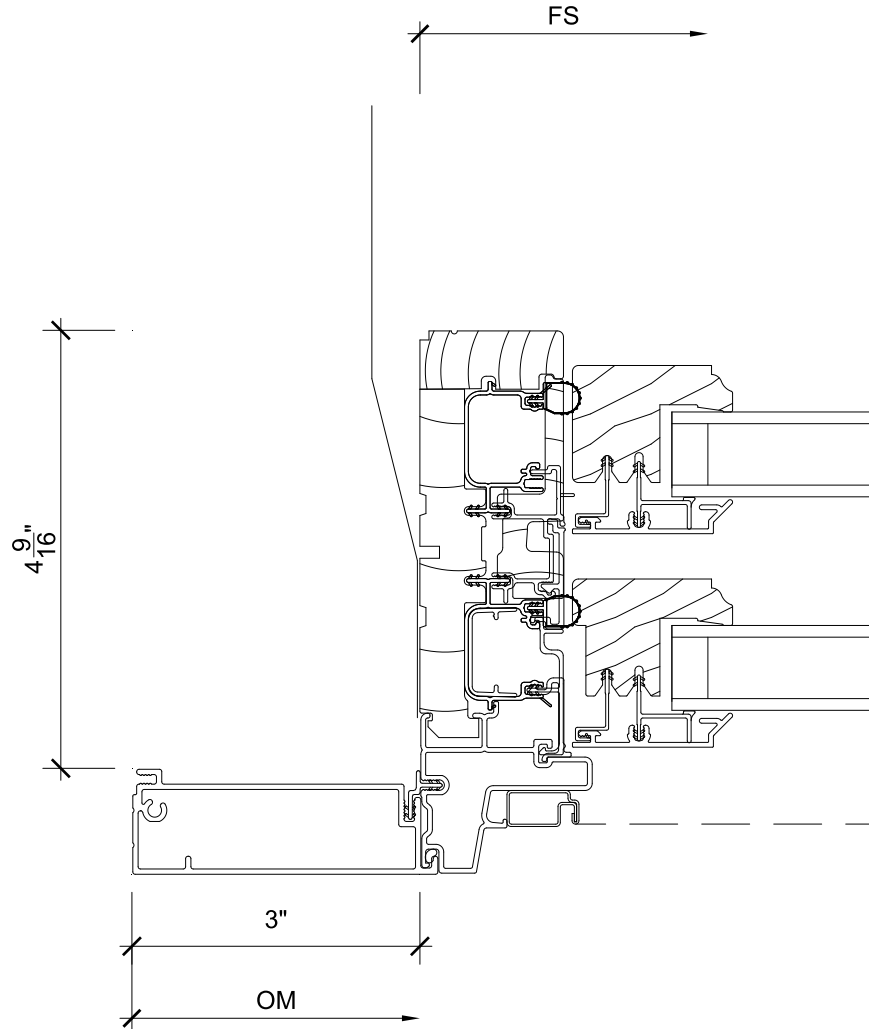
SCALE: 6" = 1'-0"



PROJ/JOB: 53 N high Dublin / New Project 1
 DIST/DEALER: SPECIALTY NORTH AMERICAN
 DRAWN: RUSS ARMSTRONG
 QUOTE#: AQNN8UQ PK VER: 0003.09.00

CREATED: 08/05/2021 REVISION:

SHEET
3
OF 10



1
4

Jamb

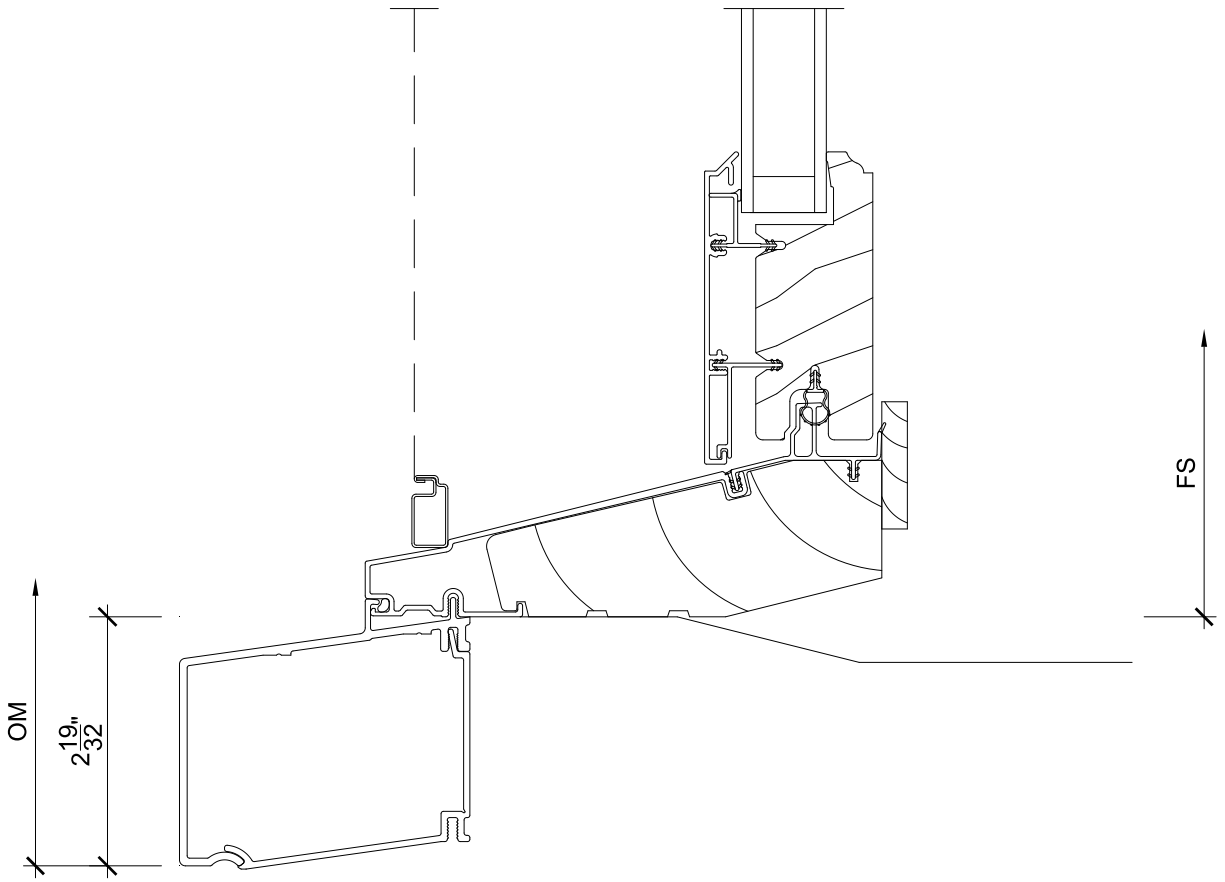
SCALE: 6" = 1'-0"



PROJ/JOB: 53 N high Dublin / New Project 1
 DIST/DEALER: SPECIALTY NORTH AMERICAN
 DRAWN: RUSS ARMSTRONG
 QUOTE#: AQNN8UQ PK VER: 0003.09.00

CREATED: 08/05/2021 REVISION:

SHEET
4
OF 10



1
5

Sill

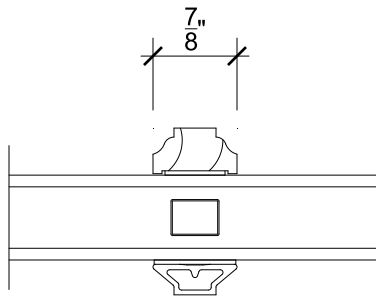
SCALE: 6" = 1'-0"



PROJ/JOB: 53 N high Dublin / New Project 1
 DIST/DEALER: SPECIALTY NORTH AMERICAN
 DRAWN: RUSS ARMSTRONG
 QUOTE#: AQNN8UQ PK VER: 0003.09.00

CREATED: 08/05/2021 REVISION:

SHEET
5
OF 10



1
6

Divided Lite

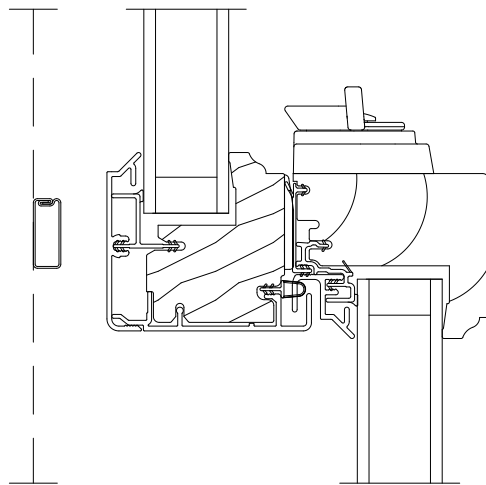
SCALE: 6" = 1'-0"



PROJ/JOB: 53 N high Dublin / New Project 1
DIST/DEALER: SPECIALTY NORTH AMERICAN
DRAWN: RUSS ARMSTRONG
QUOTE#: AQNN8UQ PK VER: 0003.09.00

CREATED: 08/05/2021 REVISION:

SHEET
6
OF 10



1
7

Checkrail

SCALE: 6" = 1'-0"



PROJ/JOB: 53 N high Dublin / New Project 1
DIST/DEALER: SPECIALTY NORTH AMERICAN
DRAWN: RUSS ARMSTRONG
QUOTE#: AQNN8UQ

PK VER: 0003.09.00

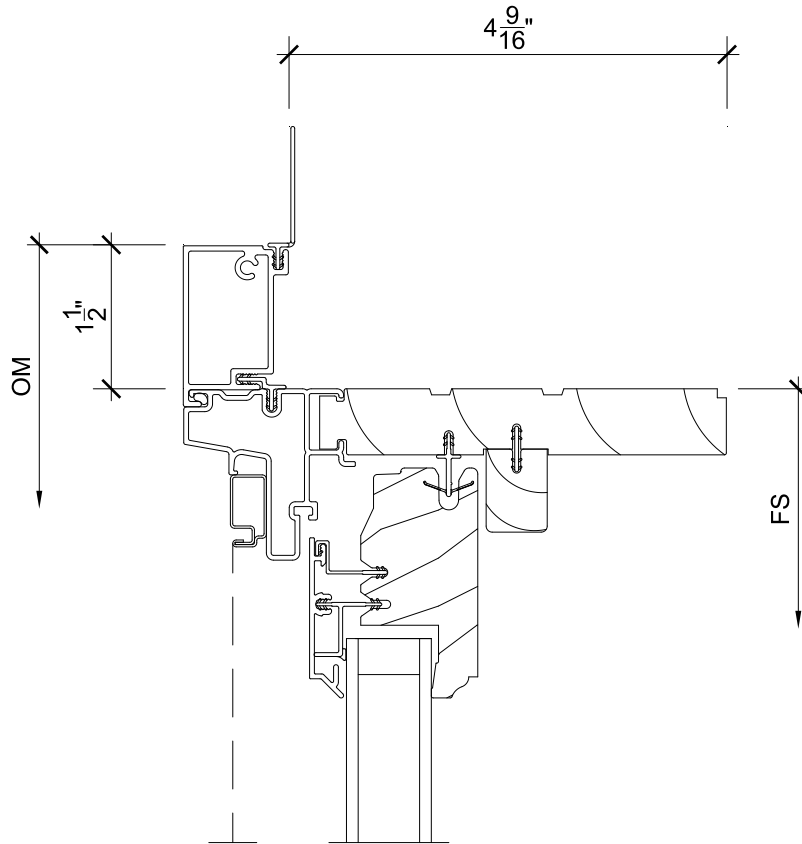
CREATED: 08/05/2021

REVISION:

SHEET

7

OF 10



1
8

Head

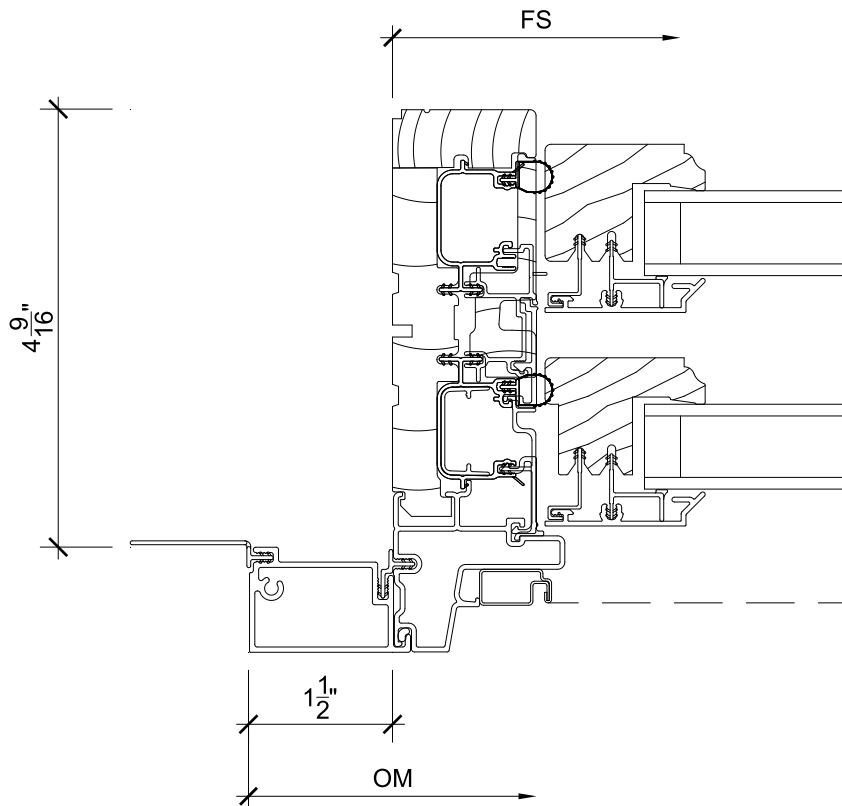
SCALE: 6" = 1'-0"



PROJ/JOB: 53 N high Dublin / New Project 1
 DIST/DEALER: SPECIALTY NORTH AMERICAN
 DRAWN: RUSS ARMSTRONG
 QUOTE#: AQNN8UQ PK VER: 0003.09.00

CREATED: 08/05/2021 REVISION:

SHEET
8
OF 10



1
9

Jamb

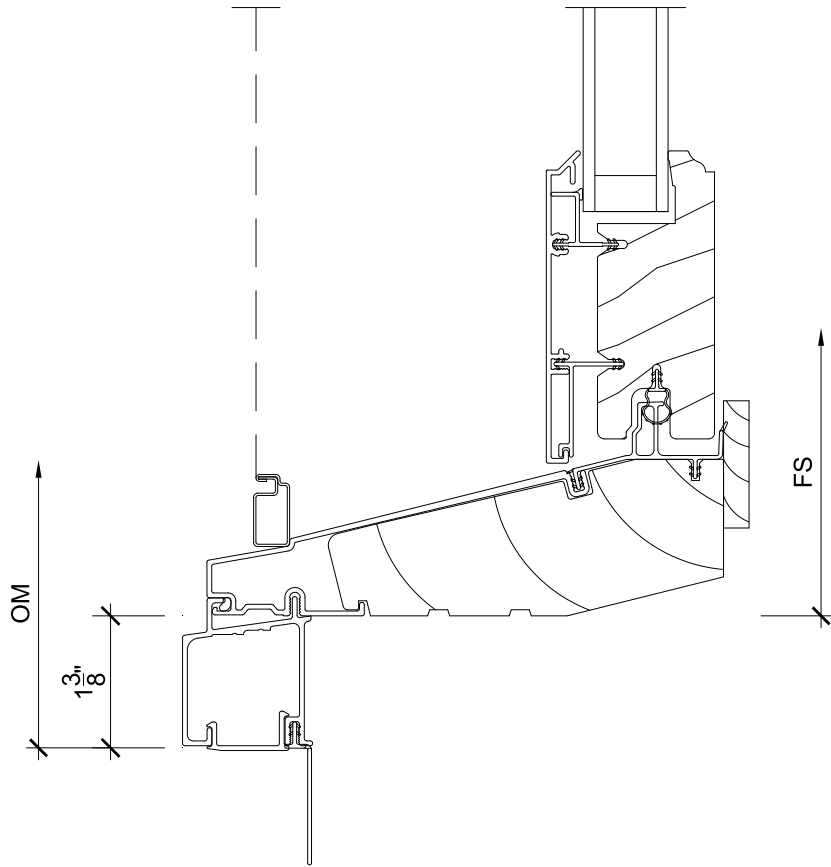
SCALE: 6" = 1'-0"



PROJ/JOB: 53 N high Dublin / New Project 1
 DIST/DEALER: SPECIALTY NORTH AMERICAN
 DRAWN: RUSS ARMSTRONG
 QUOTE#: AQNN8UQ PK VER: 0003.09.00

CREATED: 08/05/2021 REVISION:

SHEET
 9
 OF 10



1
10

Sill

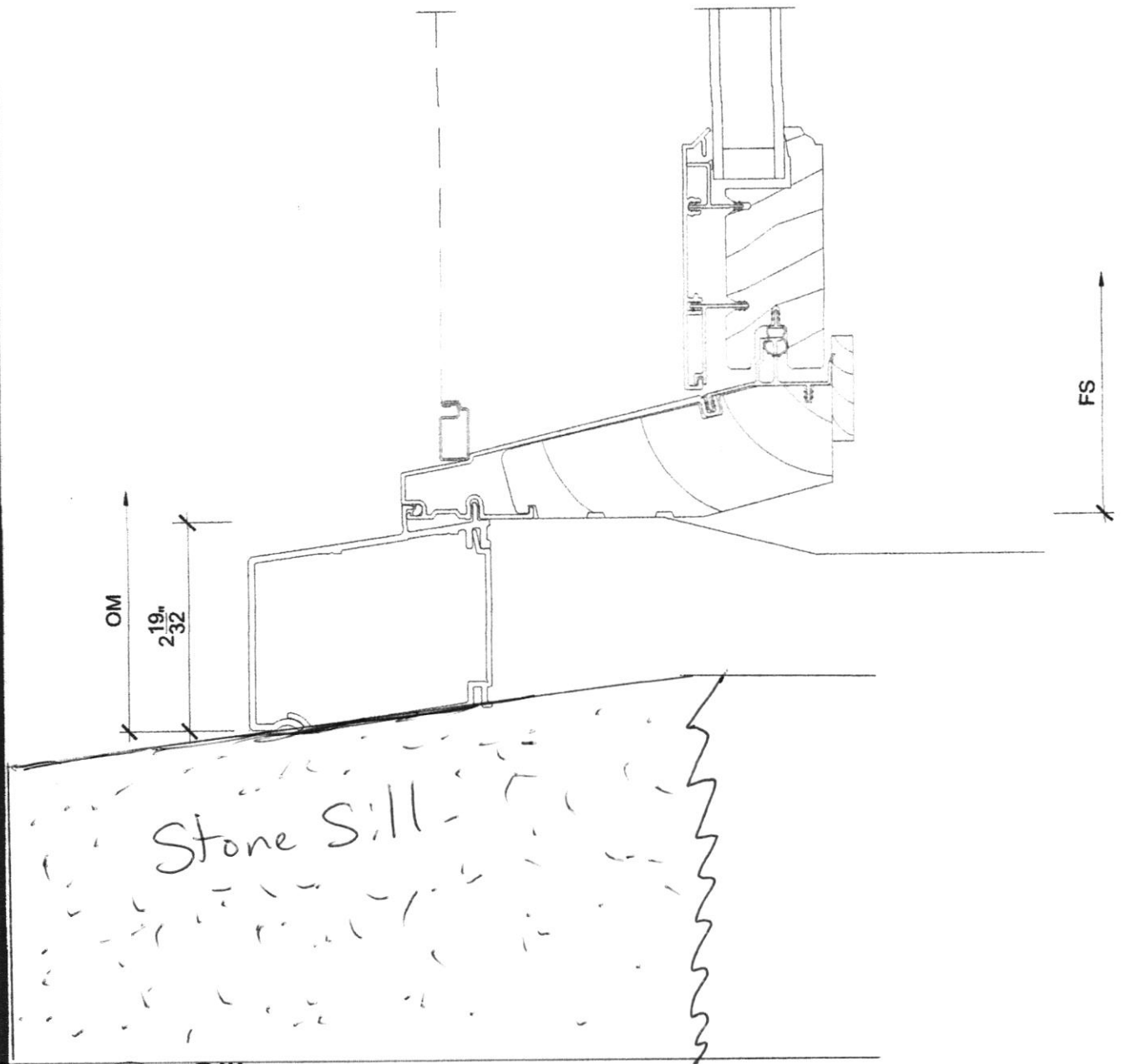
SCALE: 6" = 1'-0"



PROJ/JOB: 53 N high Dublin / New Project 1
 DIST/DEALER: SPECIALTY NORTH AMERICAN
 DRAWN: RUSS ARMSTRONG
 QUOTE#: AQNN8UQ PK VER: 0003.09.00

CREATED: 08/05/2021 REVISION:

SHEET
10
OF 10



1
5

Sill

SCALE: 6" = 1'-0"