











250

OhioHealth Medical Offices Open!

ENTRANCE

ACCESSIBLE
PARKING

ACCESSIBLE
PARKING

ACCESSIBLE
PARKING

NATIONAL
FIRE PROTECTION

3005

419-233-7337

3005

419-233-7337

3005

419-233-7337

3005

419-233-7337

3005

419-233-7337

3005

419-233-7337

3005

419-233-7337

3005

419-233-7337



MOD. SIENNA
BLEND VELOUR



EXISTING BRICK



Home - Brick Colors Catalog -

TABLE OF CONTENTS

FACE BRICK

- [Yellows](#)
- [Whites](#)
- [Tans](#)
- [Reds](#)
- [Purples](#)
- [Pinks](#)
- [Oranges](#)
- [Greens](#)
- [Grays](#)
- [Creams](#)
- [Bufs](#)
- [Browns](#)
- [Blues](#)
- [Blacks](#)



Have a Question? [Contact Us](#)

Brown Bricks

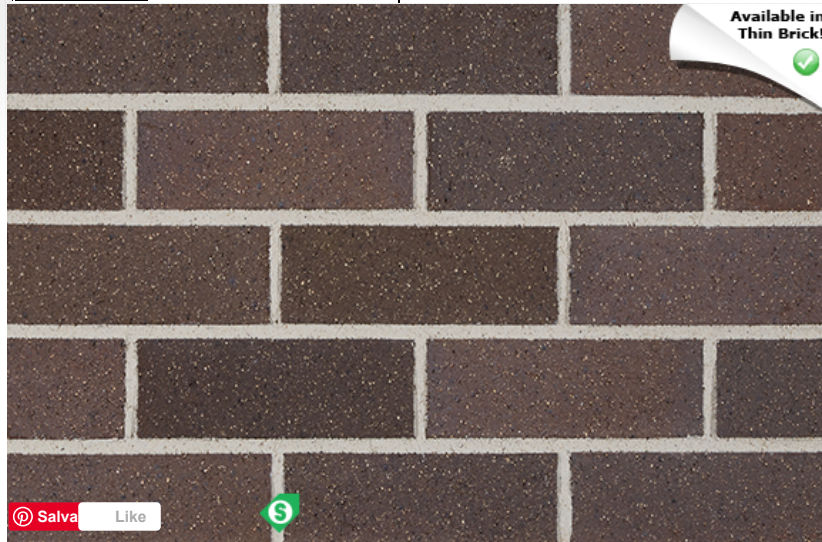
- [470-479 Dark Range Smooth](#)
- [470-479 Medium Range Smooth](#)
- [8601 Smooth](#)
- [8621 Coarse Velour](#)
- [8632 Velour](#)
- [Beaver Blend 127 Dart-tex](#)
- [Beaver Blend 73 Dart-tex](#)
- [Brandywine Velour](#)
- [Canyon Full Range Smooth](#)
- [Canyon Full Range Velour](#)
- [Canyon Smooth](#)
- [Canyon Velour](#)
- [Claret Full Range Smooth](#)
- [Claret Full Range Velour](#)
- [Claret Smooth](#)
- [Claret Velour](#)
- [Garnet Blend](#)
- [Lancaster Blend](#)
- [Medium Range Ironspot](#)
- [Midland Blend](#)
- [Napier Blend Velour](#)
- [Nassau Full Range](#)
- [Nassau Medium Range](#)
- [Roman Dark Range Ironspot](#)
- [Seal Brown Velour](#)
- [Sienna Blend Velour](#)
- [St Simon Blend](#)
- [Tudor Blend](#)
- [Tudor Blend Tumbled](#)

Brown Bricks: Sienna Blend Velour

SPL ID: 00000190



	STANDARDS	TYPE	TEXTURE	COMP.	CW	IRA	TEST REPORT
PLANT 2 EXTRUDED	FACE BRICK C216, SW THIN BRICK C1088, Exterior	FBX TBX	Velour (01)	16,320 psi	0.5100	0.0000	
	Cleaning Recommendation	Belden Brick recommends using Vanatrol® to clean this product. Alternatively, EaCo Chem NMD.80® can be used to clean any of our brick.					

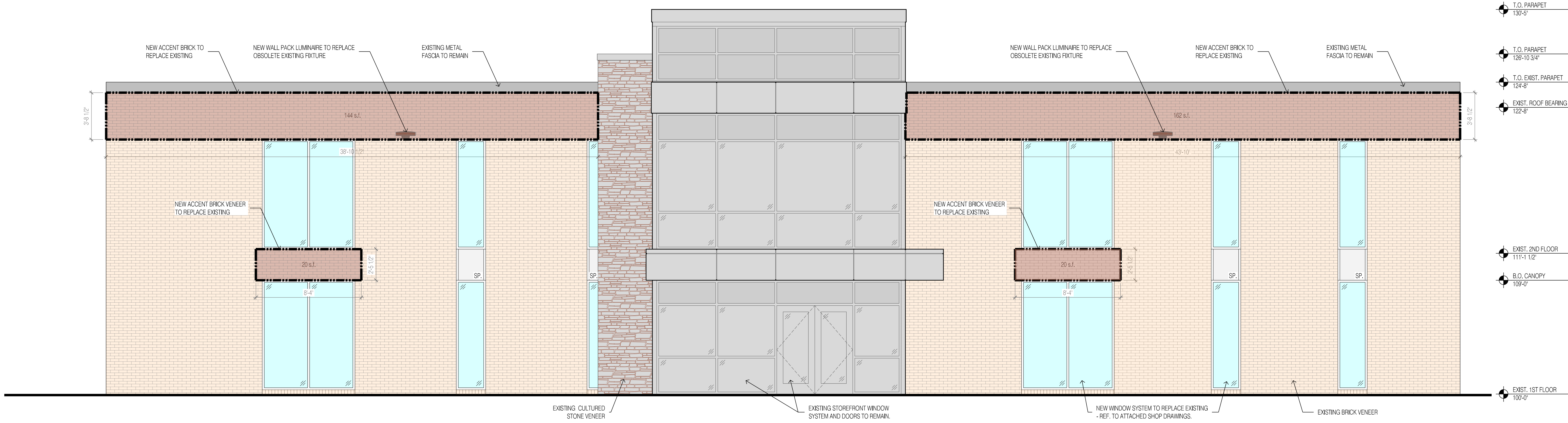


Available in Thin Brick!

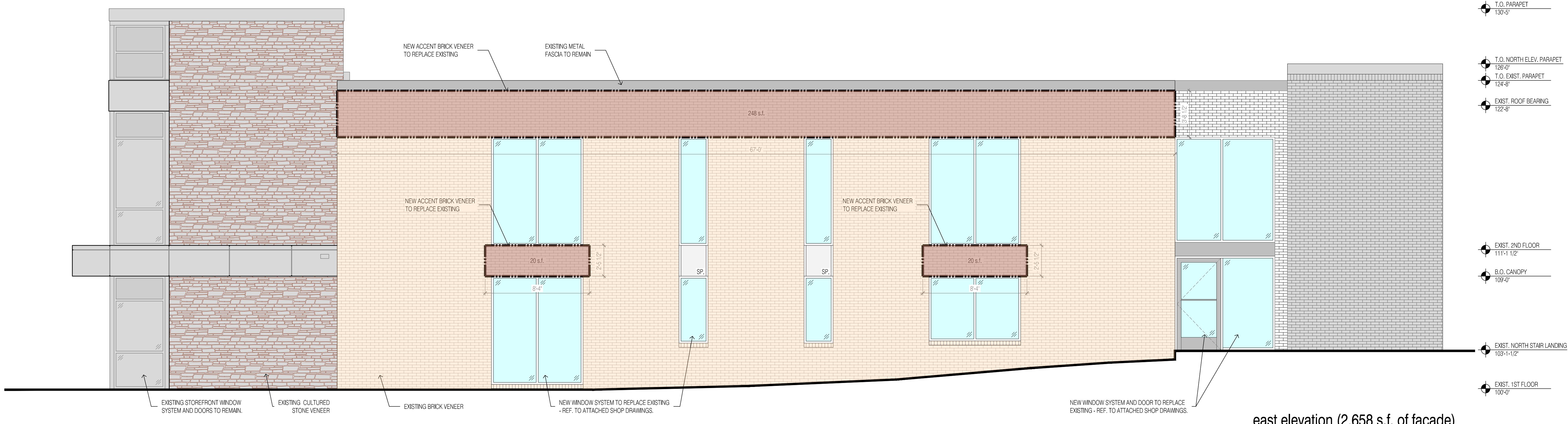


[Hide Sizes](#)

SIZES	WIDTH	HEIGHT	LENGTH	THIN FLAT BACK	THIN WITH BACK GEOMETRY	UNITS / SQ. FT.
Modular	3 5/8 " / 92mm	2 1/4 " / 57mm	7 5/8 " / 194mm	5/8" / 16mm	3/4" / 19mm	6.86
Economo Modular	3 5/8 " / 92mm	3 5/8 " / 92mm	7 5/8 " / 194mm	5/8" / 16mm	3/4" / 19mm	4.5
Norman	3 5/8 " / 92mm	2 1/4 " / 57mm	11 5/8 " / 295mm	5/8" / 16mm	3/4" / 19mm	4.57
Utility	3 5/8 " / 92mm	3 5/8 " / 92mm	11 5/8 " / 295mm	5/8" / 16mm	3/4" / 19mm	3
Double Utility	3 5/8 " / 92mm	7 5/8 " / 194mm	11 5/8 " / 295mm	X	X	1.5
Quad	3 5/8 " / 92mm	7 5/8 " / 194mm	7 5/8 " / 194mm	X	X	2.25
Monarch	3 5/8 " / 92mm	3 5/8 " / 92mm	15 5/8 " / 397mm	X	X	2.25
Monarch 5-5/8 Thru Wall	5 5/8 " / 143mm	3 5/8 " / 92mm	15 5/8 " / 397mm	X	X	2.25
Monarch 7-5/8 Thru Wall	7 5/8 " / 194mm	3 5/8 " / 92mm	15 5/8 " / 397mm	X	X	2.25
Double Monarch	3 5/8 " / 92mm	7 5/8 " / 194mm	15 5/8 " / 397mm	X	X	1.13
Double Monarch 7-5/8 Thru Wall	7 5/8 " / 194mm	7 5/8 " / 194mm	15 5/8 " / 397mm	X	X	1.13



south elevation (2,773 s.f. of facade)
 12.5% of brick replacement
 Scale: 1/4" = 1'-0"

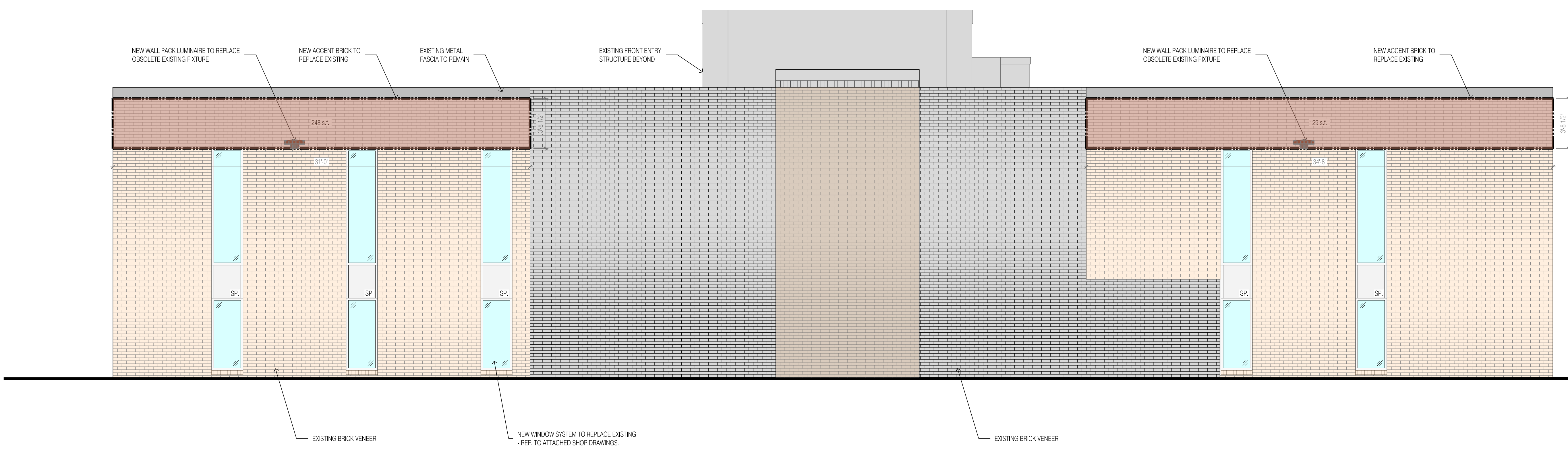


east elevation (2,658 s.f. of facade)
 10.8% of brick replacement
 Scale: 1/4" = 1'-0"

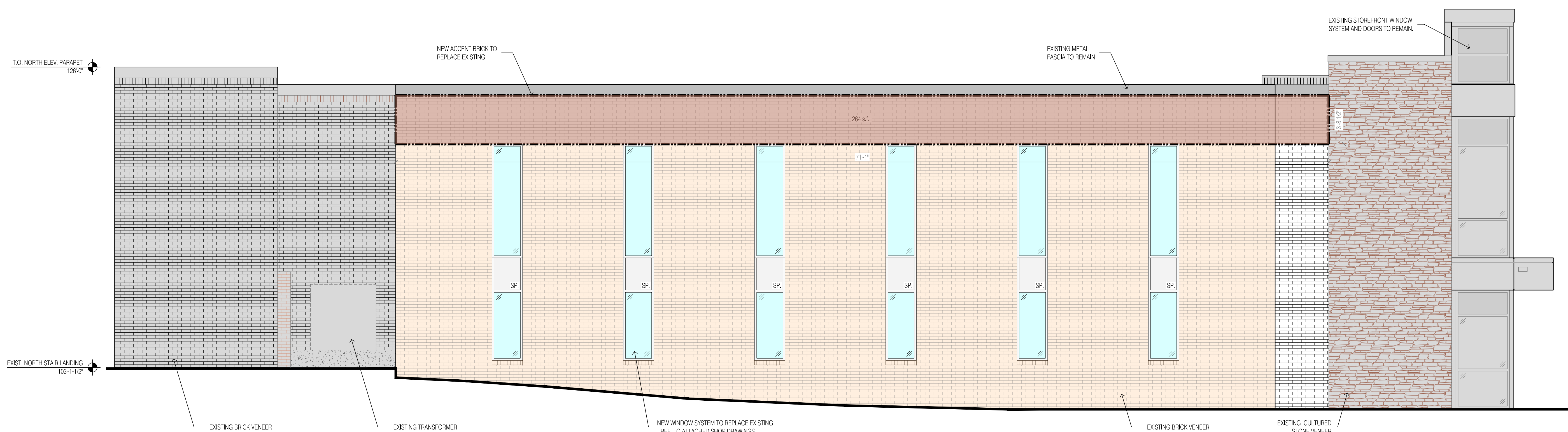
- TOTAL 4 ELEVATIONS: 10,364 S.F.
- TOTAL BRICK REPLACEMENT: 1,275 S.F.
- TOTAL BRICK REPLACEMENT PERCENTAGE OF FACADE: 12.3%

DATE	PROJ. NUMBER	ENGINEER	PROJECT	CADD	COUNTY	MUNICIPALITY
03/23/2021	6237200170	JCT	NEW	FRANKLIN	DUBLIN	DUBLIN
ISSUE	PERMIT SET	REVISIONS	1. ART SUBMISSION			
TENANT IMPROVEMENTS FOR OHIO HEALTH PRIMARY CARE PHYSICIANS						
250 W. BRIDGE ST.						
DUBLIN, OHIO 43017						
						A2.01

COPYRIGHT 2019 OHM ALL DRAWINGS AND WRITTEN MATERIALS APPEARING HEREIN CONSTITUTE THE ORIGINAL AND UNPUBLISHED WORK OF OHM AND THE SAME MAY NOT BE DUPLICATED, DISTRIBUTED OR DISCLOSED WITHOUT PRIOR WRITTEN CONSENT OF OHM



north elevation (2,330 s.f. of facade)
 16.2% of brick replacement
 Scale: 1/4" = 1'-0"



west elevation (2,603 s.f. of facade)
 10.1% of brick replacement
 Scale: 1/4" = 1'-0"

- TOTAL 4 ELEVATIONS: 10,364 S.F.
- TOTAL BRICK REPLACEMENT: 1,275 S.F.
- TOTAL BRICK REPLACEMENT PERCENTAGE OF FACADE: 12.3%

DATE	PROJ. NUMBER	ENGINEER	PROJECT	CADD	COUNTY	MUNICIPALITY
03/23/2021	6237200170	JCT	NEW	FRANKLIN	DUBLIN	DUBLIN
ISSUE	PERMIT SET	REVISIONS	1. ART SUBMISSION			
TENANT IMPROVEMENTS FOR OHIO HEALTH PRIMARY CARE PHYSICIANS 250 W. BRIDGE ST. DUBLIN, OHIO 43017						

COPYRIGHT 2019 OHM ALL DRAWINGS AND WRITTEN MATERIALS APPEARING HEREIN CONSTITUTE THE ORIGINAL AND UNPUBLISHED WORK OF OHM AND THE SAME MAY NOT BE DUPLICATED, DISTRIBUTED OR DISCLOSED WITHOUT PRIOR WRITTEN CONSENT OF OHM

Ohio Health Primary Care

--
--

Storefront Shop Drawings

Ohio Glass and Aluminum Company

1735 Atlas St
Columbus, Ohio 43228
Phone: (614) 527-7960
Fax: (614) 527-7963

IMPORTANT

These Shop Drawings are our interpretation of the contract documents. It shall be the responsibility of the General Contractor (or Construction Manager) to review these drawings for compliance with the design intent and Contract Documents. When these drawings are returned with "Approved", "Approved as Noted", or "Reviewed" stamped on them, it shall constitute the General Contractors (or Construction Managers) and Architects agreement that the Shop Drawings do comply with the design intent and the Contract Documents.

DO NOT SCALE PLANS

Copying, Printing, software and other processes required to produce these prints can stretch or shrink the actual paper or layout. Therefore, scaling of this drawing may be inaccurate. Contact Ohio Glass for any additional dimensions or clarification.

Architect

--
--
--

General Contractor

--
--
--

Issue and Revision Dates

No.	Date	Subject
1	3/3/21	Ver 1

Project Name and Location

OHIO HEALTH PRIMARY CARE
--
--

Drawing Title
General Notes

Scale: As Noted

Sheet Number

OGA COVER PAGE

Architect

--
--
--
--

General Contractor or Construction Manager:

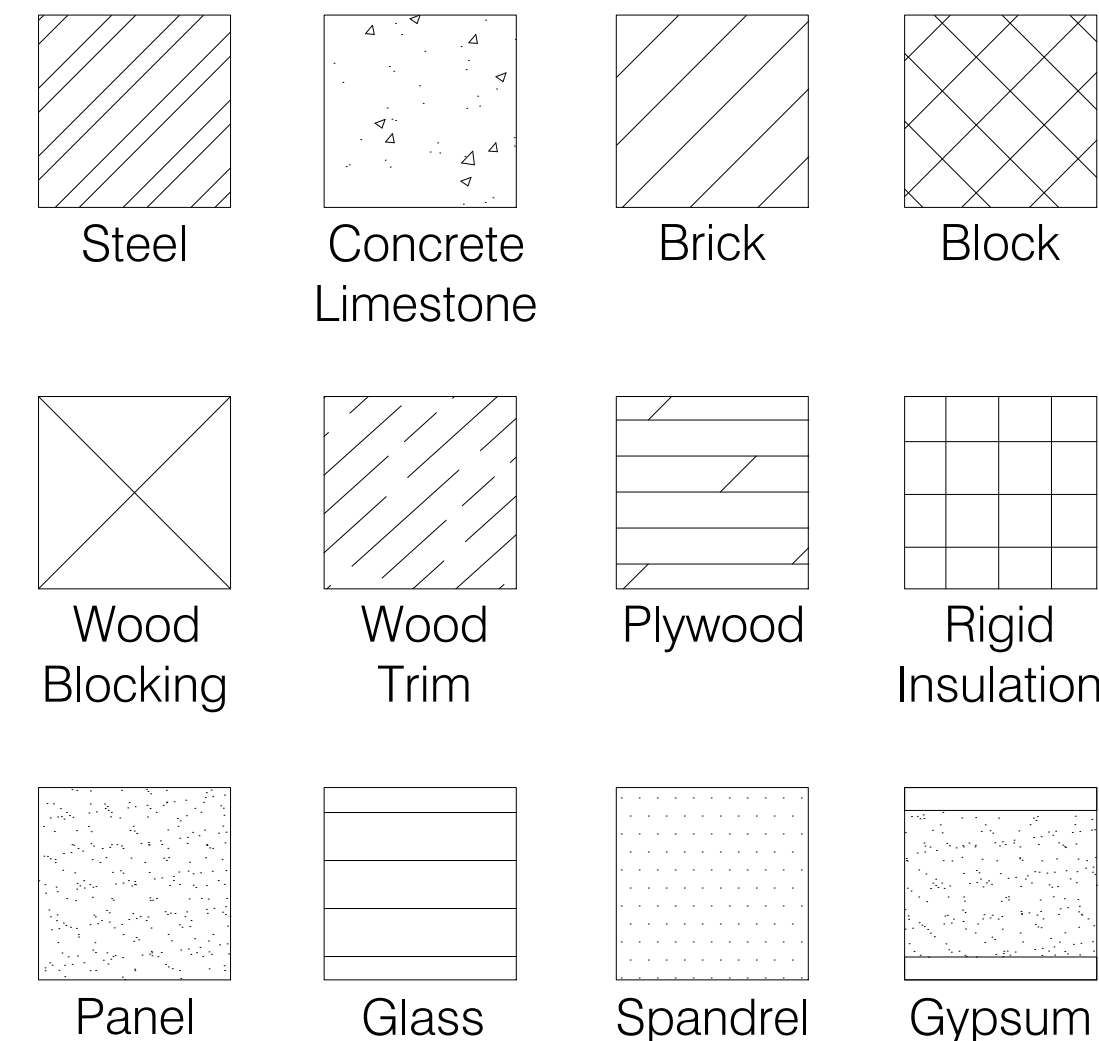
--
--
--

Installation Notes:

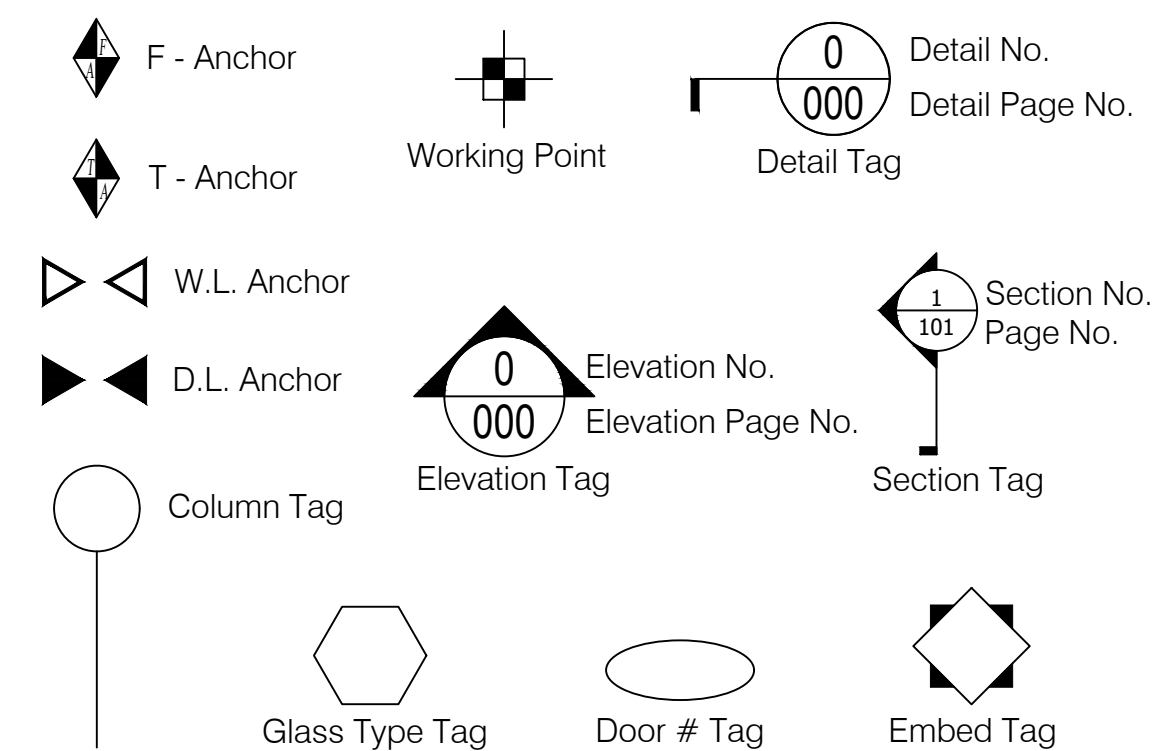
- Any dimension are to be field verified prior to any fabrication or installation of curtain wall, storefront and or window systems, unless guaranteed by the general contractor.
- Fastener types shown on the drawings are for reference only. Actual fastener types may vary due to field conditions as professionally determined by the Ohio Glass.
- See manufactures installation instructions for further information concerning both installation and fabrication.

Professional Engineers Seal

Hatch Patterns



Curtain Wall & Storefront Symbols



Abbreviations

R.O. = Rough Opening	W.L. = Wind Load
M.O. = Masonry Opening	D.L. = Dead Load
P.O. = Plaster Opening	T.O.M. = Top of Mullion
F.S. = Frame Size	B.O.M. = Bottom of Mullion
D.L.O. = Day Light Opening	T.O.S. = Top of Steel
D.O. = Door Opening	B.O.S. = Bottom of Steel
W.M. = Window Make	T.O. = Top of
A.D. = Assembled Dimension	TYP. = Typical
V.I.F. = Verify in Field	SIM. = Similar
REF. = Reference	HRDW. = Hardware
F.F. = Finish Floor	OPP. = Opposite
G.C. = General Contractor	O.H. = Opposite Hand
C.M. = Construction Manager	ELEV. = Elevation
N.T.S. = Not to Scale	W.P. = Working Point
⊥ = Center Line	S.S. = Stainless Steel

Specifications of Items Furnished by Glazing Contractor

Framing to be:

Kawneer 451T Series 2" x 4 1/2"

Doors to be:

Kawneer 350 Series Medium Stile Doors w/ 10" Bottom Rail

Hardware to be:

See Separate Submittal

Finish to be:

Clear Anodized

Perimeter Caulking supplied by Ohio Glass & Aluminum

Glass Types to be:

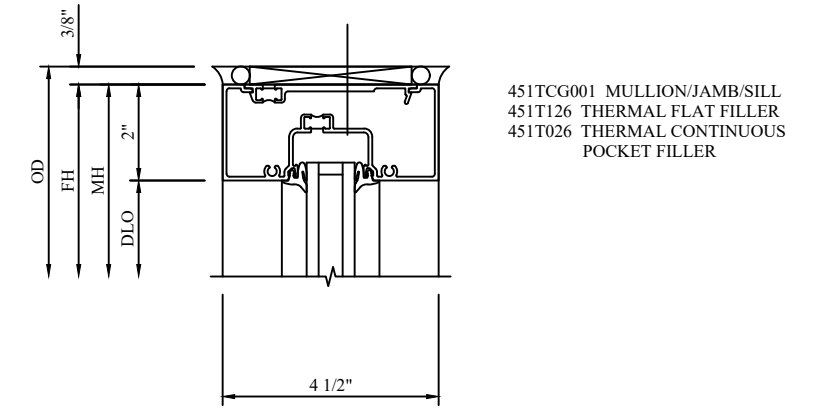
GL1 1" Insulated Clear Tempered

SP 1" Tempered Spandrel

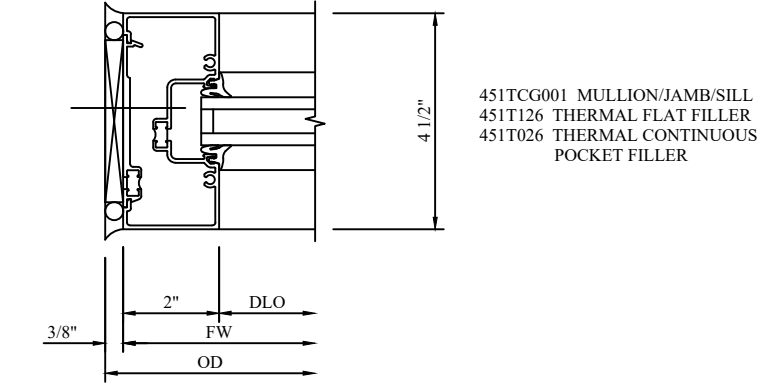
Sheet Index

Cover Page	General Notes
2.01 - 2.02	Elevations
3.01	Details

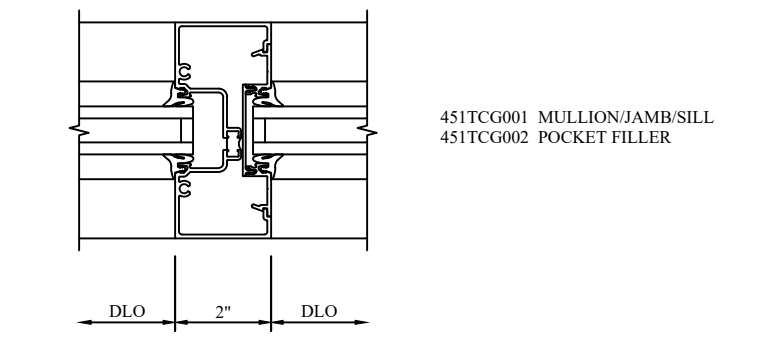
1 Head
SCALE: Scale: 1:4



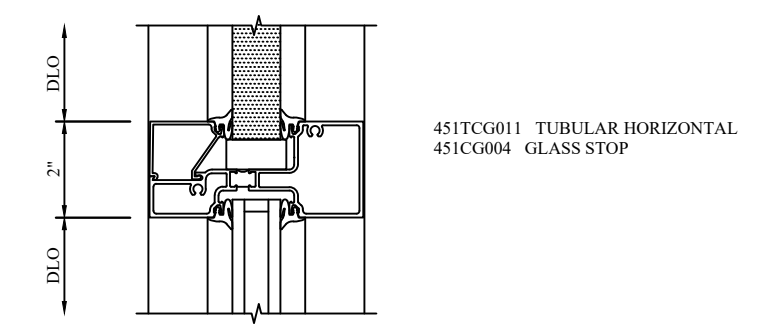
2 Jamb
SCALE: Scale: 1:4



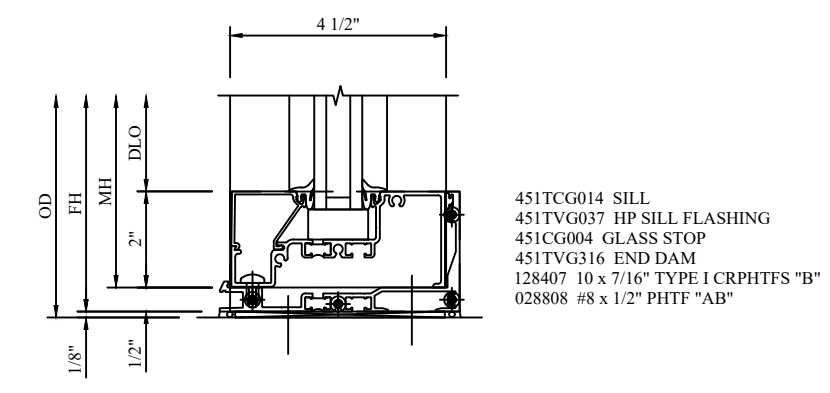
3 Vertical
SCALE: Scale: 1:4



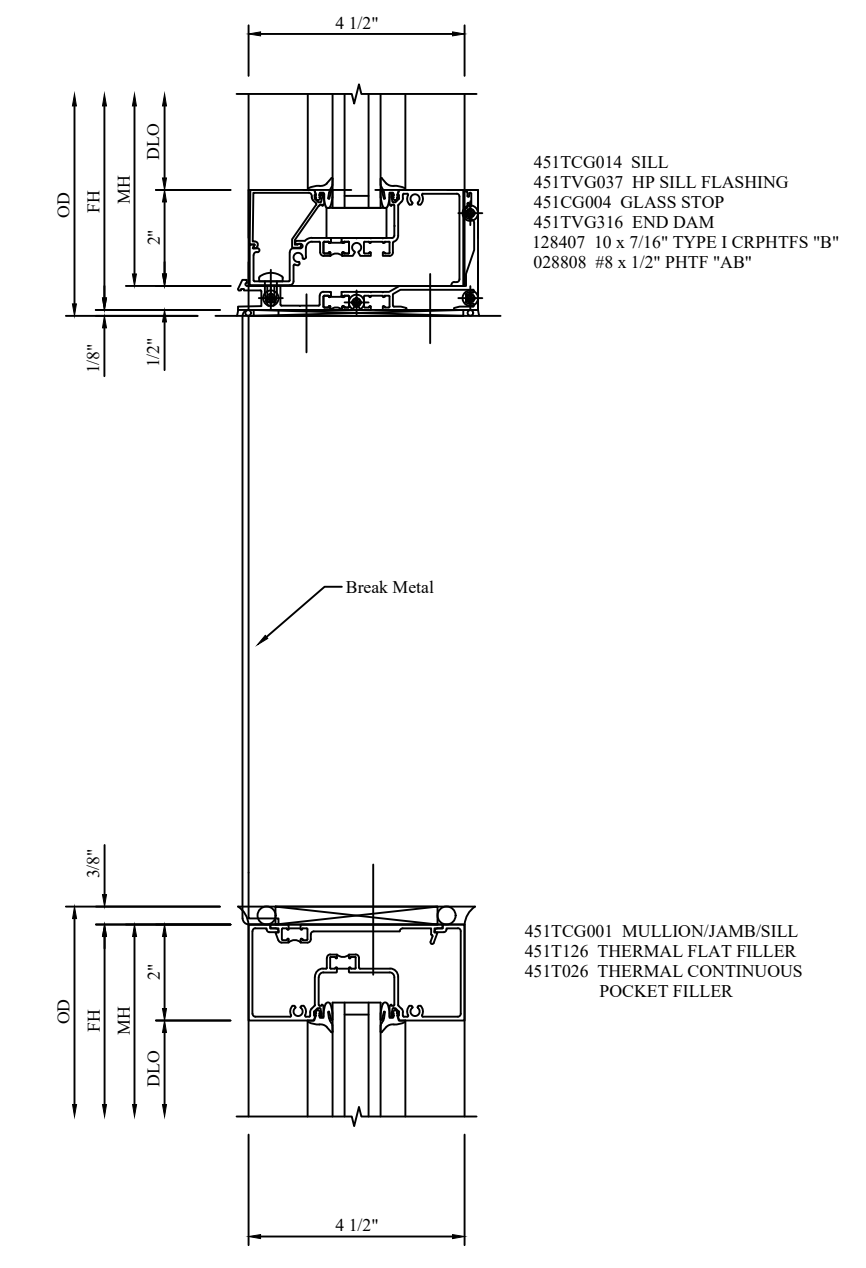
4 Horizontal
SCALE: Scale: 1:4



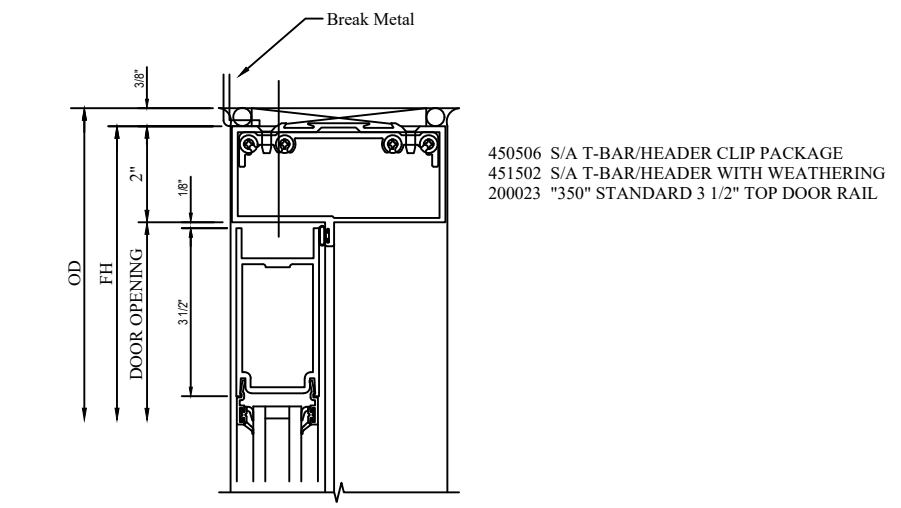
5 Sill
SCALE: Scale: 1:4



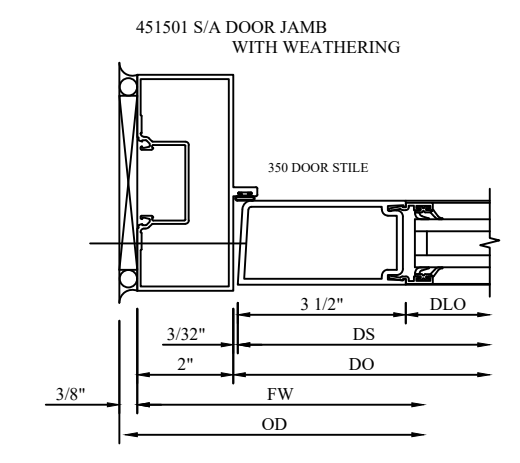
6 Head/Sill
SCALE: Scale: 1:4



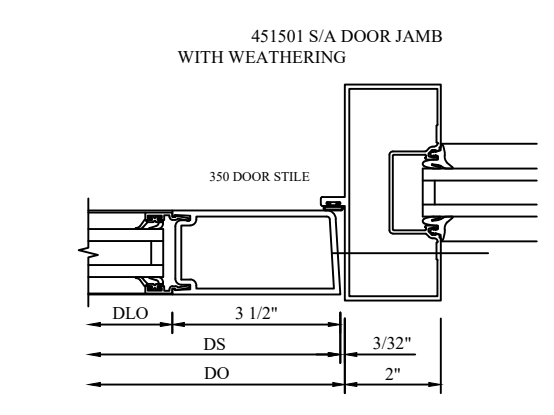
7 Door Head
SCALE: Scale: 1:4



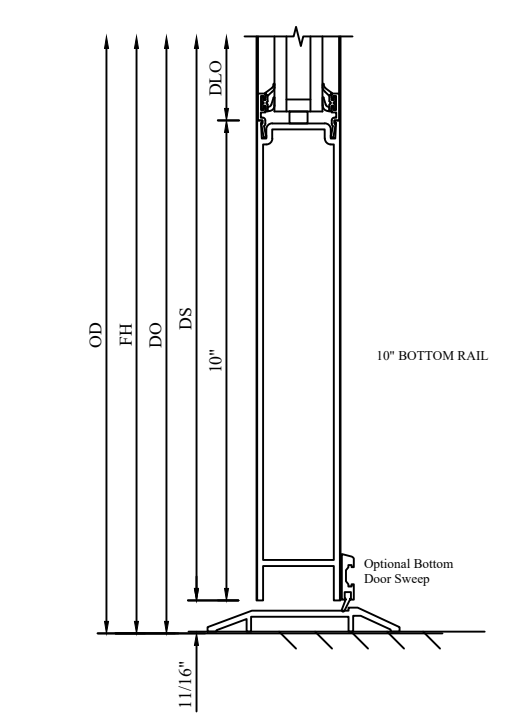
8 Door Jamb
SCALE: Scale: 1:4



9 Door Jamb
SCALE: Scale: 1:4



10 Bottom Rail
SCALE: Scale: 1:4



Ohio Glass and Aluminum Company

1735 Atlas St
Columbus, Ohio 43228
Phone: (614) 527-7960
Fax: (614) 527-7963

IMPORTANT

These Shop Drawings are our interpretation of the contract documents. It shall be the responsibility of the General Contractor (or Construction Manager) to review these drawings for compliance with the design intent and Contract Documents. When these drawings are returned with "Approved", "Approved as Noted", or "Reviewed" stamped on them, it shall constitute the General Contractors (or Construction Managers) and Architects agreement that the Shop Drawings do comply with the design intent and the Contract Documents.

DO NOT SCALE PLANS

Copying, Printing, software and other processes required to produce these prints can stretch or shrink the actual paper or layout. Therefore, scaling of this drawing may be inaccurate. Contact Ohio Glass for any additional dimensions or clarification.

Architect

--
--
--
--

General Contractor

--
--
--
--

Issue and Revision Dates

No.	Date	Subject
1	3/3/21	Ver 1

Project Name and Location

OHIO HEALTH PRIMARY CARE
--
--

**Drawing Title
General Notes**

Scale: 1:4

Sheet Number

3.01