



# BERNER ARCHITECTURAL HIGH PERFORMANCE 10

AIR CURTAIN SERIES #AHD10

Sleek design,  
high performance,  
with built-in Intelliswitch™  
digital controller.

AMCA Certification on all heat options

*Now available with the PureAir Package™*



Berner AIR™  
Add the (smart controller  
& app, includes BACnet)



800-245-4455  
[www.Berner.com](http://www.Berner.com)

When the doors are open,™ BERNER AIR CURTAINS

# Berner Architectural High Performance 10 Air Curtain



Chosen by designers who are concerned with both aesthetics and protecting the intent of the space when the door is open.

Used at entrances to enhance or replace a vestibule to save energy and maintain comfortable interiors.

## AMCA Certified and meets Building Code:

ASHRAE 90.1-2019, ASHRAE 189.1, and IECC-2015, allow AMCA Certified Air Curtains as an exception to a vestibule.

## IDEAL APPLICATIONS:

Main Entrances  
Lobbies

## \*AMCA Certified\* HEAT OPTIONS:

Electric  
Steam  
Hot Water

Custom Colors &  
Bronze Anodized & Stainless Steel Available

AIR CURTAIN Series # AHD10

For mounting heights up to 10' (environmental separation) and 8' (insect control)

## Standard Construction

- 12 ¼" high x 21 ¼" deep
- 1/2 hp motor(s) - ten speeds
- Factory installed Intelliswitch™ digital controller
- Clear satin anodized aluminum exterior
- Wall and top mounting
- High efficiency, low noise Pro-V Nozzle
- Optional: 1" aluminum filter (washable)
- Parts Warranty:  
Ambient - Five years  
Heated - Two years

## Installation & Mounting

Simple to install, operate & maintain

- Single lengths up to 10'
- No Assembly Required
- Wall plate included
- 5/16" threaded inserts for top mounting
- Bottom access panel for easy access to internal components

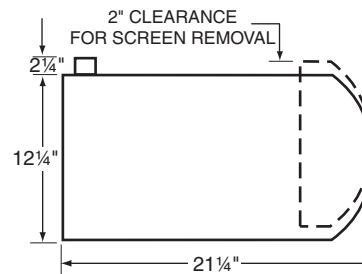
## Control Options

### Factory installed Intelliswitch™ digital controller:

- LED clock display
- Low voltage circuit for unit activation (BMS)
- External thermostat provision
- Comfort Plus provision
- RoHS compliant
- Temperature Probe (heated units only)

### Sold Separately:

- **Berner AIR™**  
(smart controller & app, includes BACnet)
- **Berner PureAir Package™**
  - MERV 8 filter (washable)
  - Needlepoint Bipolar Ionization (NPBI) technology
  - 1/2 hp EC motor(s) - ten speeds
  - Intelliswitch with the PURE mode
- Handheld Remote Control
- Activation device: magnetic door switch



www.Berner.com

111 Progress Avenue, New Castle, PA 16101  
800-245-4455 724-658-3551





# ARCHITECTURAL HIGH PERFORMANCE 10

## Ambient (Unheated) Air Curtain

### Data Sheet

For Mounting Heights To 10' (environmental separation) and 8' (insect control)

#### STANDARD CONSTRUCTION

- 12 ¼" high x 21 ¼" deep
- 1/2 hp motor(s) - ten speeds
- Factory installed Intelliswitch digital controller
- Clear satin anodized aluminum exterior (Optional: Custom Color or Stainless)
- Wall & Top Mounting
- High efficiency, low noise Pro-V Nozzle
- Optional: Filter (washable)
- Optional: Berner AIR™ (smart controller & app), includes BACnet
- Optional: Berner PureAir™ Package - consult factory



Berner International certifies that the air curtains shown herein are licensed to bear the AMCA Seal. The ratings shown are based on tests and procedures performed in accordance with AMCA Publication 211 and comply with the requirements of the AMCA Certified Ratings Program. Rated data shown is for base (unheated) units. The AMCA Certified Ratings Seal applies to airflow rate, average outlet velocity, outlet velocity uniformity, velocity projection and power rating at free delivery only.

5 Year Limited Warranty



indoor use

MODEL	Nozzle Width (in)	Max Vel. at Nozzle (fpm)	Avg. Outlet Vel. (fpm)	Air Volume (cfm)	Outlet Vel. Uniformity	Power Rating (kW)	Motor(s) @ hp	Net Wt. (lbs)
AHD10-1036A	36.75	5,483	2,453	1,565	90%	0.54	1 @ ½	65
AHD10-1042A	42.75	5,621	1,873	1,390	86%	0.52	1 @ ½	68
AHD10-1048A	48.75	5,838	1,674	1,417	71%	0.52	1 @ ½	70
<b>AHD10-2060A</b>	<b>60.75</b>	<b>7,300</b>	<b>2,408</b>	<b>2,540</b>	<b>59%</b>	<b>0.90</b>	<b>2 @ ½</b>	<b>125</b>
<b>AHD10-2072A</b>	<b>74.50</b>	<b>5,483</b>	<b>2,420</b>	<b>3,130</b>	<b>90%</b>	<b>1.08</b>	<b>2 @ ½</b>	<b>130</b>
<b>AHD10-2084A</b>	<b>86.50</b>	<b>5,621</b>	<b>1,851</b>	<b>2,780</b>	<b>86%</b>	<b>1.04</b>	<b>2 @ ½</b>	<b>140</b>
<b>AHD10-2096A</b>	<b>98.50</b>	<b>5,838</b>	<b>1,657</b>	<b>2,834</b>	<b>71%</b>	<b>1.04</b>	<b>2 @ ½</b>	<b>145</b>
<b>AHD10-3108A</b>	<b>112.25</b>	<b>5,483</b>	<b>2,409</b>	<b>4,695</b>	<b>90%</b>	<b>1.62</b>	<b>3 @ ½</b>	<b>170</b>
AHD10-3120A	118.25	5,483	2,202	4,520	86%	1.60	3 @ ½	175

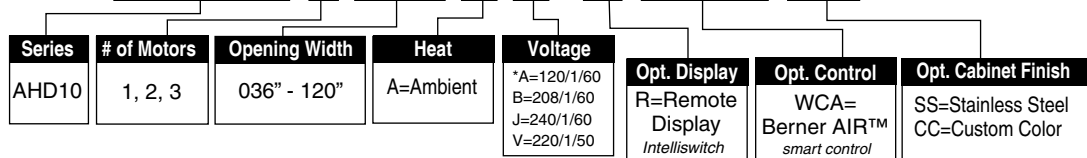
#### NOTES:

1. Operation at 50 Hz will generate approximately a 17% reduction in air performance.
2. Outdoor installation – consult factory.

See sheet EP-210 for amp draws/total load requirements.

### MODEL NUMBER CONFIGURATION

## AHD10-1 036 A A- R-WCA-SS



\*Suitable for 50hz for Standard offering, leave options (Opt.) blank

VELOCITY PROJECTION: Model AHD10-1036A					
Distance from Nozzle (in)	40	80	120	160	200
Core Velocity (fpm)	1356	1011	978	856	794
Uniformity (%)	91	92	90	86	90

Sound level measured 10' (3m) from the unit in free field:

- 1 motor: Min./Max. Speed: 53/56 dBA
- 2 motors: Min./Max. Speed: 56/59 dBA
- 3 motors: Min./Max. Speed: 59/62 dBA

Sound data is not AMCA certified.

Berner reserves the right to alter specifications without prior notice.

www.berner.com Berner International 800.245.4455  
111 Progress Ave. / New Castle / PA / 16101 / USA

DS-210D  
January, 2021



# ARCHITECTURAL HIGH PERFORMANCE 10

## Ambient (Unheated) Air Curtain Electrical Performance Sheet

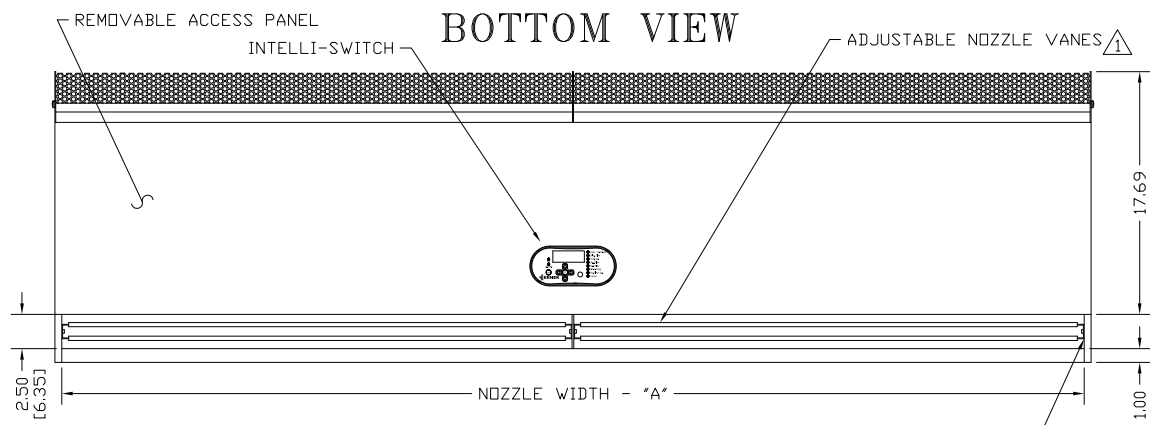
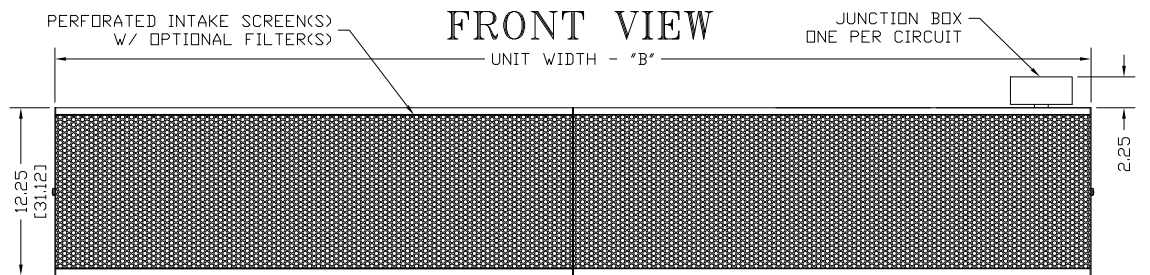
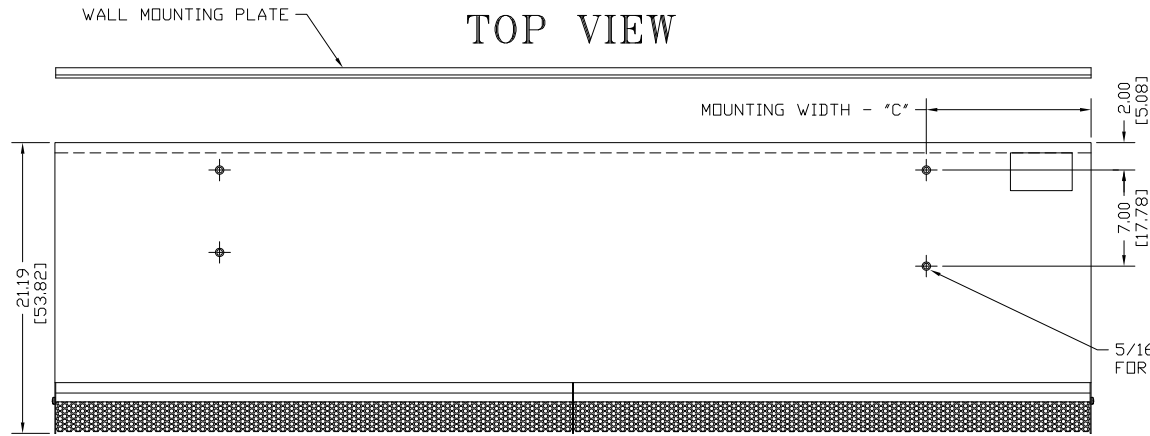
MODEL	# CKTS	120/1/60 (voltage code A) MOTOR AMP DRAW = 8.5 each		# CKTS	208/1/60 (voltage code B) MOTOR AMP DRAW = 4.3 each		# CKTS	240/1/60 (voltage code J) or 220/1/50 (voltage code V) MOTOR AMP DRAW = 4.3 each	
		AMPS PER CIRCUIT	BREAKER RATING PER CIRCUIT		AMPS PER CIRCUIT	BREAKER RATING PER CIRCUIT		AMPS PER CIRCUIT	BREAKER RATING PER CIRCUIT
AHD10-1036A AHD10-1042A AHD10-1048A	1	8.5	15	1	4.3	15	1	4.3	15
AHD10-2060A AHD10-2072A AHD10-2084A AHD10-2096A	1	17.0	20	1	8.6	15	1	8.6	15
AHD10-3108A AHD10-3120A	1	25.5	30	1	12.9	20	1	12.9	20

*Berner reserves the right to alter specifications without prior notice.*

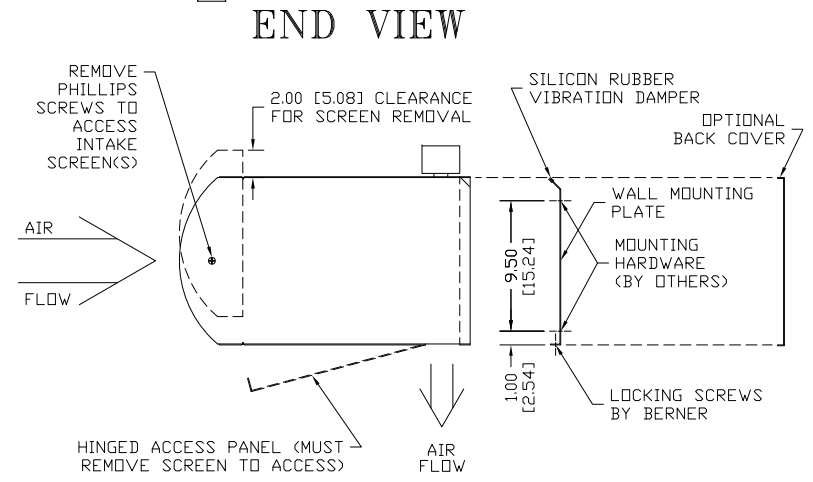
**www.berner.com Berner International 800.245-4455**  
111 Progress Ave. / New Castle / PA / 16101 / USA

EP-210  
June, 2017

# AHD10 AMBIENT SYSTEM



MODEL <sup>6</sup>	NOZZLE WIDTH "A"	UNIT WIDTH "B"	MOUNTING WIDTH "C"
AHD10-1036A	36.75 [93.35]	37.75 [95.89]	8.00 [20.32]
AHD10-1042A	42.75 [108.59]	43.75 [111.13]	8.00 [20.32]
AHD10-1048A	48.75 [123.83]	49.75 [126.37]	10.00 [25.40]
AHD10-2060A	60.75 [153.31]	61.75 [156.85]	8.00 [20.32]
AHD10-2072A	74.50 [189.23]	75.50 [191.77]	12.00 [30.48]
AHD10-2084A	86.50 [219.71]	87.50 [217.17]	12.00 [30.48]
AHD10-2096A	98.50 [250.19]	99.50 [252.73]	27.00 [68.58]
AHD10-3108A	112.25 [285.12]	113.25 [287.66]	27.00 [68.58]
AHD10-3120A	118.25 [300.36]	119.25 [302.90]	27.00 [68.58]

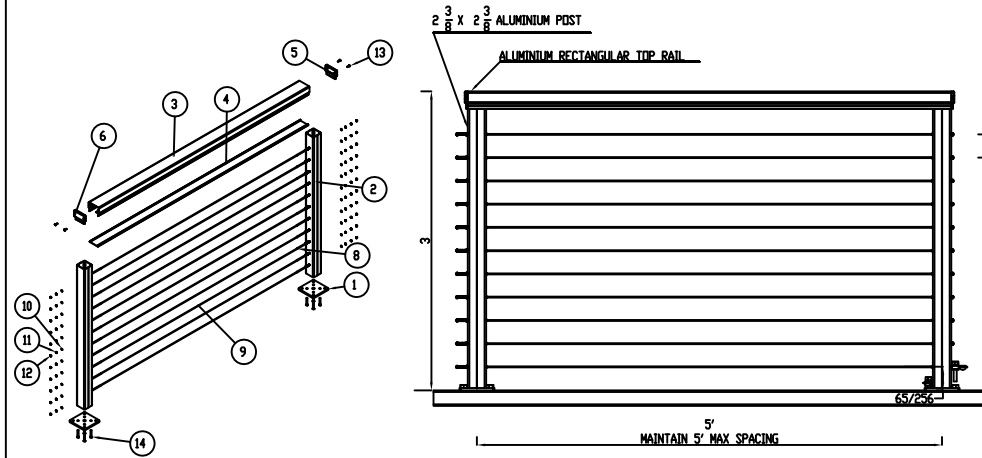
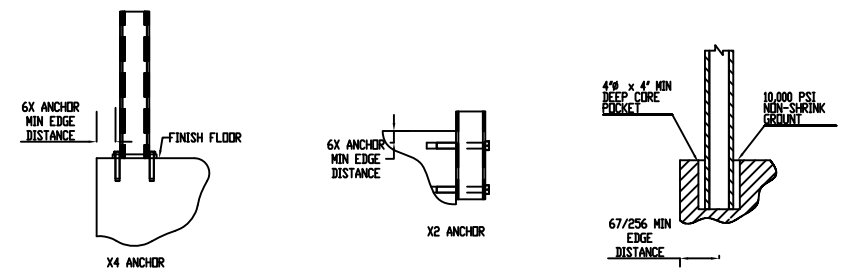


## NOTES:

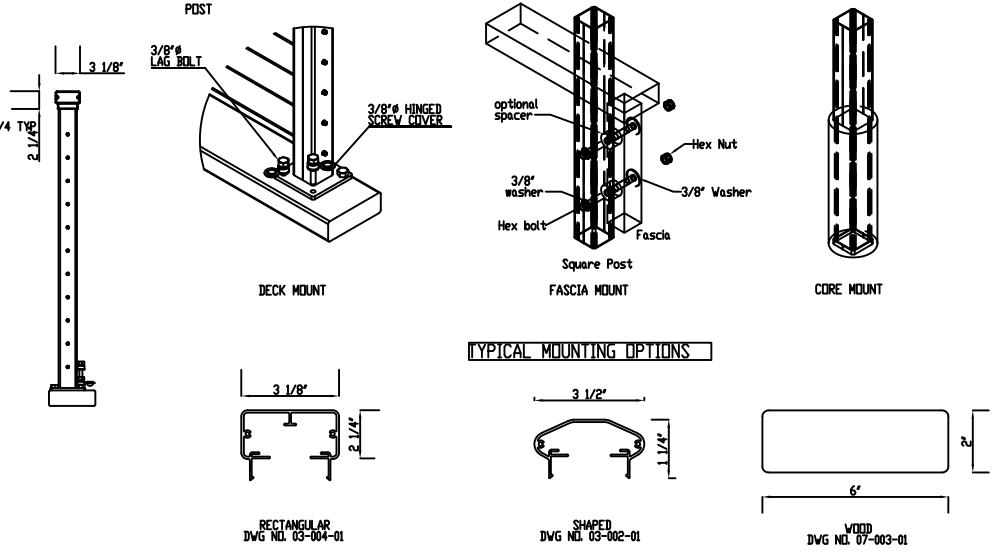
- <sup>1</sup> AIR CURTAIN MUST BE INSTALLED SO AIR STREAM IS NOT OBSTRUCTED WHEN DEFLECTED 20° TO EITHER SIDE OF  $\text{C}$ .
- <sup>2</sup> ELECTRICAL CONNECTIONS TO BE FLEXIBLE.
- <sup>3</sup> FIELD VERIFY DIMENSIONS.
- <sup>4</sup> ANCHORS TO SUPPORTING STRUCTURE BY OTHERS.
- <sup>5</sup> ADEQUACY OF SUPPORTING STRUCTURE IS TO BE VERIFIED BY A PROFESSIONAL STRUCTURAL ENGINEER.
- <sup>6</sup> LETTER "A" IN MODEL NUMBER DESIGNATES AMBIENT UNIT.
- <sup>7</sup> DIMENSIONS IN INCHES (CENTIMETERS).

PROJECT		TITLE: <b>BERNER</b>
LOCATION		MODEL AHD10 AIR CURTAIN
ARCHITECT		AMBIENT SYSTEM
ENGINEER		BERNER INTERNATIONAL CORP. NEW CASTLE, PA.
DWG. NO.	AHD10-AMB	
DATE	30MAY2017	
BY	S. Beil	
REPLACES	31MAR2017	
BY	S. Beil	

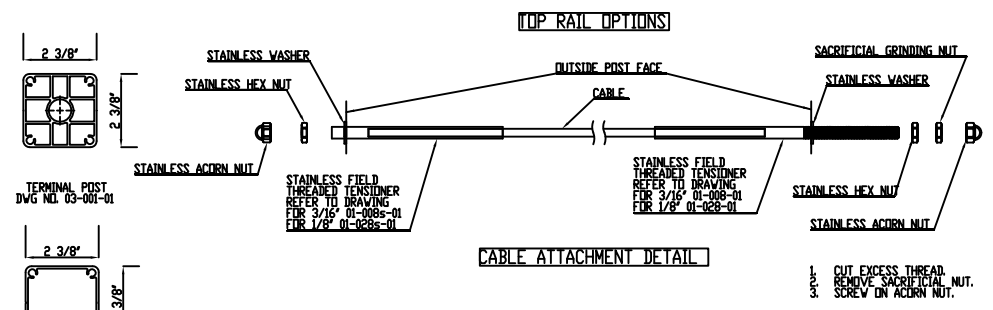
ITEM NO.	PART NUMBER	DESCRIPTION	QTY.
1	03-009-01	BASE PLATE	2
2	03-001-01	TERMINAL POST ( 6005 TS ALUM)	2
3	03-004-01	RECTANGULAR TOP RAIL (6082 T6 ALUM)	1
4	03-006-01	TOP RAIL SNAP COVER ( 6082 T6 ALUM)	1
5	03-005-01	RECTANGULAR RAIL END	1
6	Mirror 03-005-01	RECTANGULAR RAIL END (ADC12 ALUM)	1
7	01-008S-01 OR 01-028S-01	FIELD THREADED TERMINAL	11
8	01-008S-01 OR 01-028S-01	FIELD THREADED TENSIDER	11
9	Stainless Cable	1/8" or 3/16" DIA.	11
10	Stainless Washer	STD	22
11	Stainless Hex Nut	STD	22
12	Stainless Acorn Nut	STD	22
13	6-32 SS TYPE	STD	4
14	1/4-20x2 1/2 PHIL FH 1/4" 410 SS	STD	8
15	LAG BOLT	STD	8



LEVEL 36" STANDARD GUARD RAILING

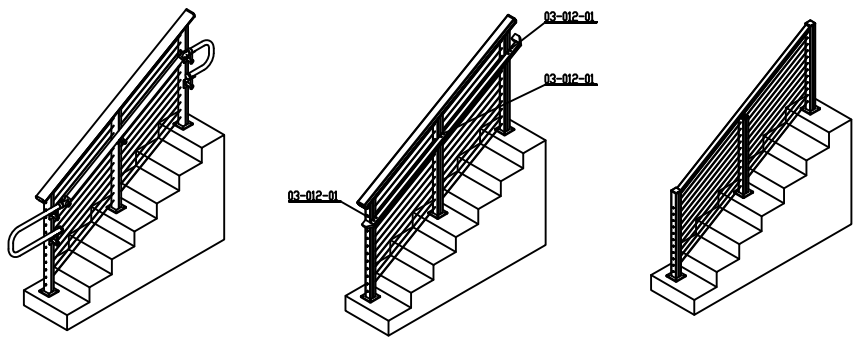


TYPICAL MOUNTING OPTIONS



CABLE ATTACHMENT DETAIL

- CUT EXCESS THREAD.
- REMOVE SACRIFICIAL NUT.
- SCREW ON ACORN NUT.



STAINLESS STEEL HAND RAIL

POST-TO-POST STAND ALONE HAND RAIL

POST-TO-POST STAIR HAND RAIL

STAIRS 36" STANDARD GUARD RAILING

POWDER COAT OPTION :				
BLACK	BRONZE	WHITE	CLAY	NATURAL
REV	DATE	DESCRIPTION OF CHANGE	EDN	BY
REVISIONS				
		TOLERANCES XX ±.01 UNLESS OTHERWISE SPECIFIED ANGULAR ±.05° SPECIFIED FRACTIONAL ±1/32°	THIS DRAWING IS THE PROPERTY OF STAINLESS CABLE & RAILING AND IS PROTECTED UNDER PATENT RIGHTS. IT MAY NOT BE REPRODUCED OR TRANSMITTED IN ANY FORM OR BY ANY MEANS WITHOUT PERMISSION FROM SCAR.	TITLE : CABLEVIEW ©ALUMINIUM 36" RAILING DWG NO. CV-436
DRAWN BY:	PA	DATE	PROJECT	SHEET 1 OF 1







## Performance—NFRC Tested and Labeled

See NanaWall.com for performance testing for each system.

Testing conducted at accredited and certified independent laboratories.



U-Value



Air Infiltration



Water Rating



Design Wind Load

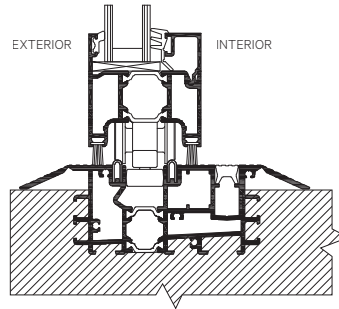


Sound Transmission  
Rated

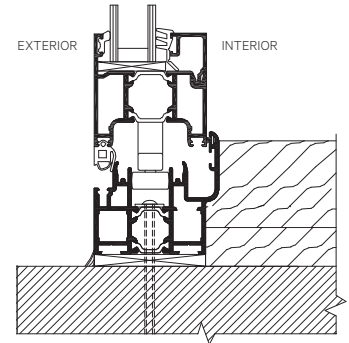
Testing results vary per system. Please consult NanaWall or see the NanaWall Architectural Binder for actual test data for each model and configuration.

## Sill Option Examples

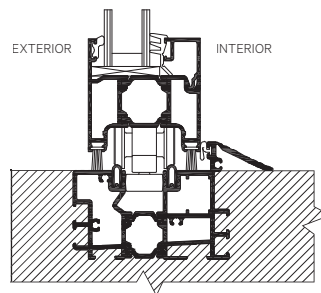
See NanaWall.com for sill options for each system.



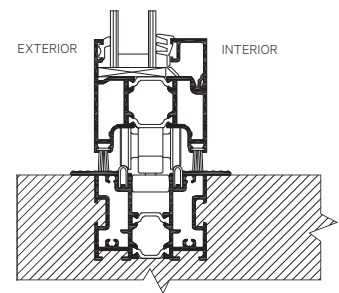
Low Profile Saddle Sill\*



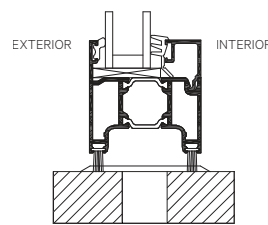
Higher Weather Performance Sill\*



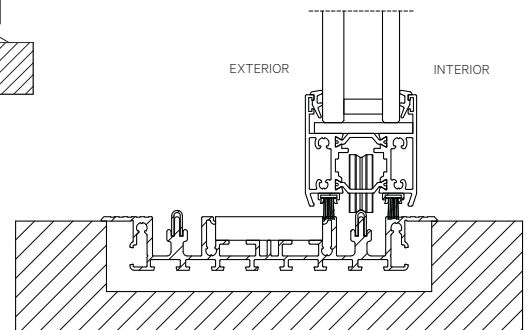
Hybrid Sill\*



Flush Sill\*



Socket\*\*



Flush Sill\*\*\*

\* SL60 sill examples

\*\* HSW system socket example

\*\*\* cero sill example

# NanaWall Finishes, Glazing & Hardware Options

## Standard 50 Finishes for Aluminum and Clad Systems

50 standard colors are available in powder coat and anodized finishes. *For accurate color swatch examples, please request our Powder Coating Finish Options brochure.*

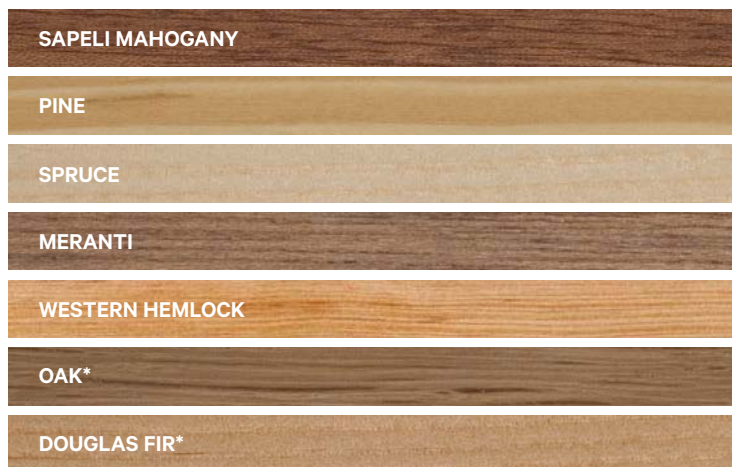
### STANDARD POWDER COAT OPTIONS



**Custom Color Matching Available**  
*Non-metallic colors only, with upcharge.*

## Wood Systems Finish Options

Standard woods include Sapeli Mahogany, Pine, Spruce, Meranti and Western Hemlock. Other specialty woods are available upon request. Please consult NanaWall for additional costs. *For accurate wood representation, please request our Wood & Finish Options brochure.*



*\* available with upcharge.*

## Hardware Options

The standard locking hardware is compatible with a wide array of commercially available handle sets and escutcheon plates to match any design style.



Black Titanium Stainless Steel



Brushed Satin Stainless Steel

## Glazing Area Options

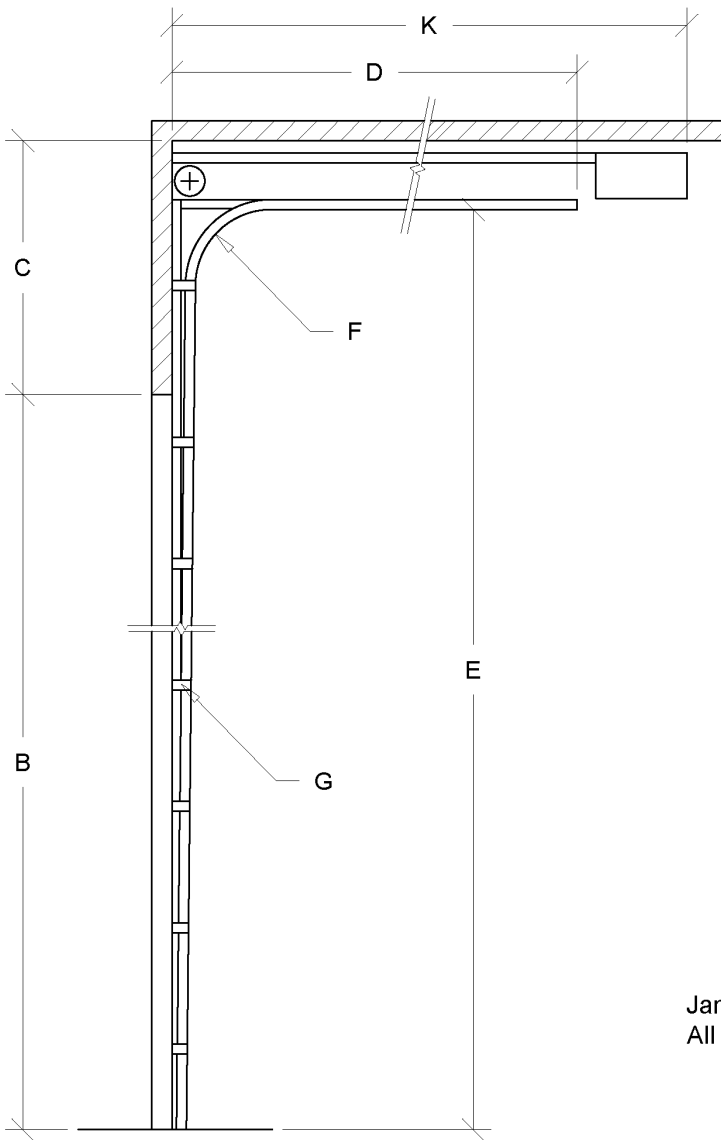
Glazing options include insulated, low-E, argon filled triple insulated low-E, impact, and other specialty glass.

# Track System Data Sheet

Customer: C.H.I. SPECIAL  
 Order Number: ECD80566  
 Job Name: Phillip4  
 P.O. #:  
 Door Size: (1) 15' 11" X 10' 0"  
 Door Model: 3297R  
 Track Type: Standard Lift 6" Extended Verticals

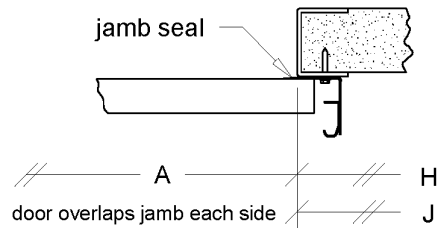
Track Size: 2"  
 Horizontal Gauge: 14  
 Vertical Gauge: 14

## Detail Through Wall



A	Opening Width	15' 9"
B	Opening Height	10' 0"
C	Headroom	24"
D	Backdepth	11' 10"
E	Floor to Horizontal Track	11' 1"
F	Track Radius	15"
G	Track Mounting	Clip
H	Track Sideroom	2 3/4"
J	Spring System Sideroom	5"
K	Opener Backdepth	26"

## Typical Through Steel Jamb Detail



Jambs shown may not depict actual field conditions  
 All jamb material supplied by others

# Spring System Data Sheet

Customer: C.H.I. SPECIAL  
 Order Number: ECD80566  
 Job Name: Phillip4  
 P.O. #:  
 Door Size: (1) 15' 11" X 10' 0"  
 Door Model: 3297R  
 Track Type: 2" R15" Standard Lift 6" Extended Verticals

Spring Size: 2 5/8" X 0.2830" X 40"  
 Turns on Spring: 10 1/4  
 Cycalge: 10,000  
 Spring Shaft: 1" Solid  
 Drum Type: 4-12 DRUM  
 Balance Weight: 438lbs.  
 Cable Diameter: 1/8"  
 Cable Length: 12' 1"

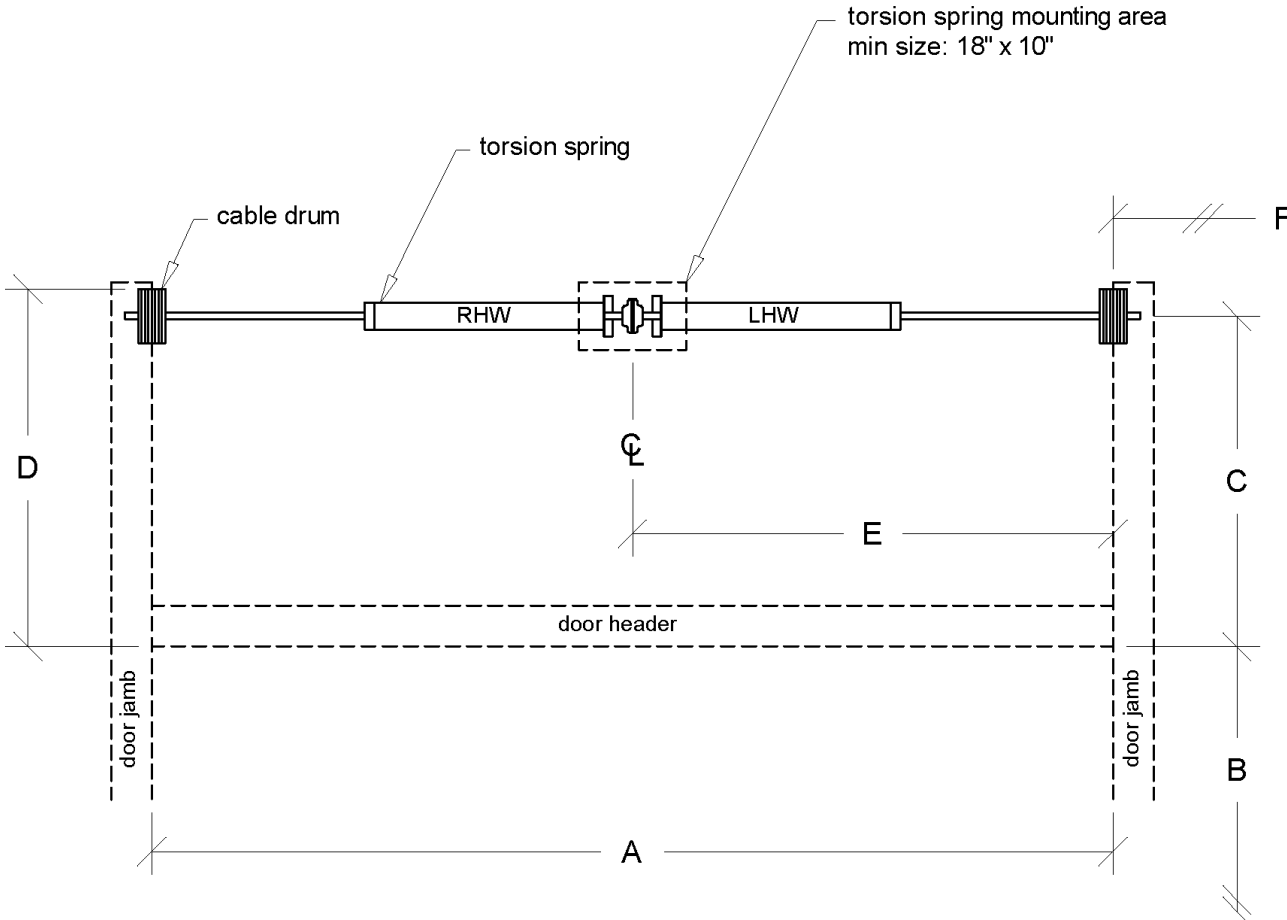
All mounting surfaces must be structural components and not covered with drywall, paneling or any other building material.

Attachment of jamb plates, header plate and torsion spring mounting area to building framework must provide adequate support to sustain door weight, track and spring assemblies as well as resistance to wind load forces and vibration caused by door operation.

Wood: Torsion spring mounting area should be reinforced to structure with a minimum of (4) 5/16" x 4" wood lags. Wood framing should be Southern Pine or better structural species, Grade2/better, free of cracks, splits and knots.

Steel: Torsion spring mounting area should be minimum of 1/4" thick structural material.

A	Opening Width	15' 9"
B	Opening Height	10' 0"
C	Shaft Center	18-1/2"
D	Top of Drum	21"
E	Center Pad	7' 10 1/2"
F	Spring System Side Room	5"

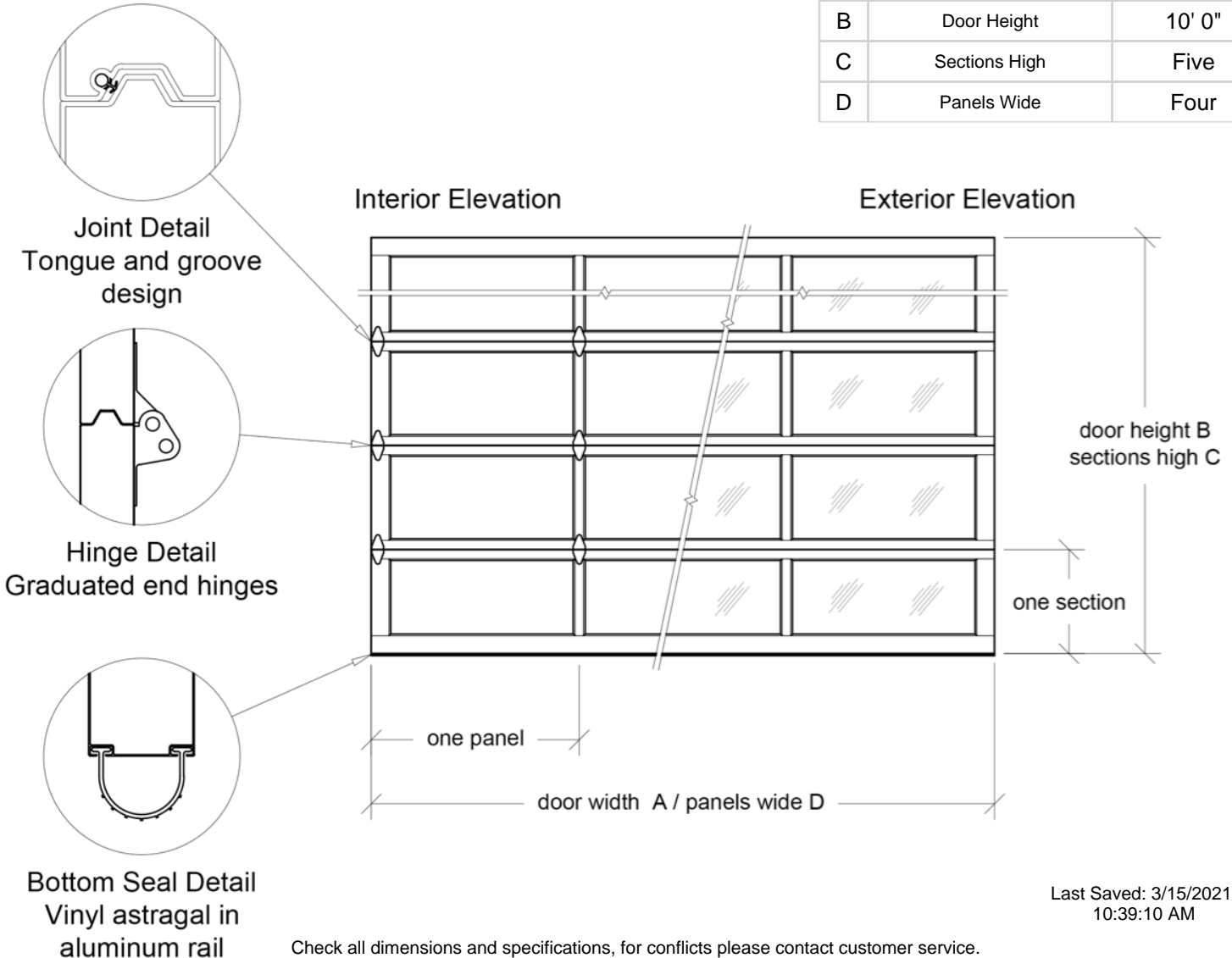


# Door Section Data Sheet

Customer: C.H.I. SPECIAL  
 Order Number: ECD80566  
 Job Name: Phillip4  
 P.O. #:  
 Door Size: (1) 15' 11" X 10' 0"  
 Door Model: 3297  
 Panel Material: 6063-T6 Aluminum.  
 Panel Profile: Not available for this model  
 Door Color: Exterior: C.H.I. Gray powder coating  
 Joint Design: Tongue and groove rails with weather seal.  
 End Stiles: End stiles: 4" face; Center Stiles: 2" face. Thur-bolted to rails.  
 Insulation: CFC polystyrene insulated stiles and rails, R-Value: 2.95  
 Hardware: Galvanized steel hinges are 14 gauge  
 Glazing: Section 1: 1/8" Plain DSB glass window lites, Section 2: 1/8" Plain DSB glass window lites, Section 3: 1/8" Plain DSB glass window lites, Section 4: 1/8" Plain DSB glass window lites, Section 5: 1/8" Plain DSB glass window lites

Section Thickness: 2"  
 Panels: 24" high by width of door  
 Trussing: Three 3" Aluminum  
 Locking: Locking not provided by CHI  
 Weather Seal: Jamb seal and top seal provided by others  
 Rollers: 10 ball bearings with steel tire.

A	Door Width	15' 11"
B	Door Height	10' 0"
C	Sections High	Five
D	Panels Wide	Four



Last Saved: 3/15/2021  
10:39:10 AM

Check all dimensions and specifications, for conflicts please contact customer service.

Preliminary design details based upon information available at date of issue.  
Contact Customer Service for assistance if any changes are required.

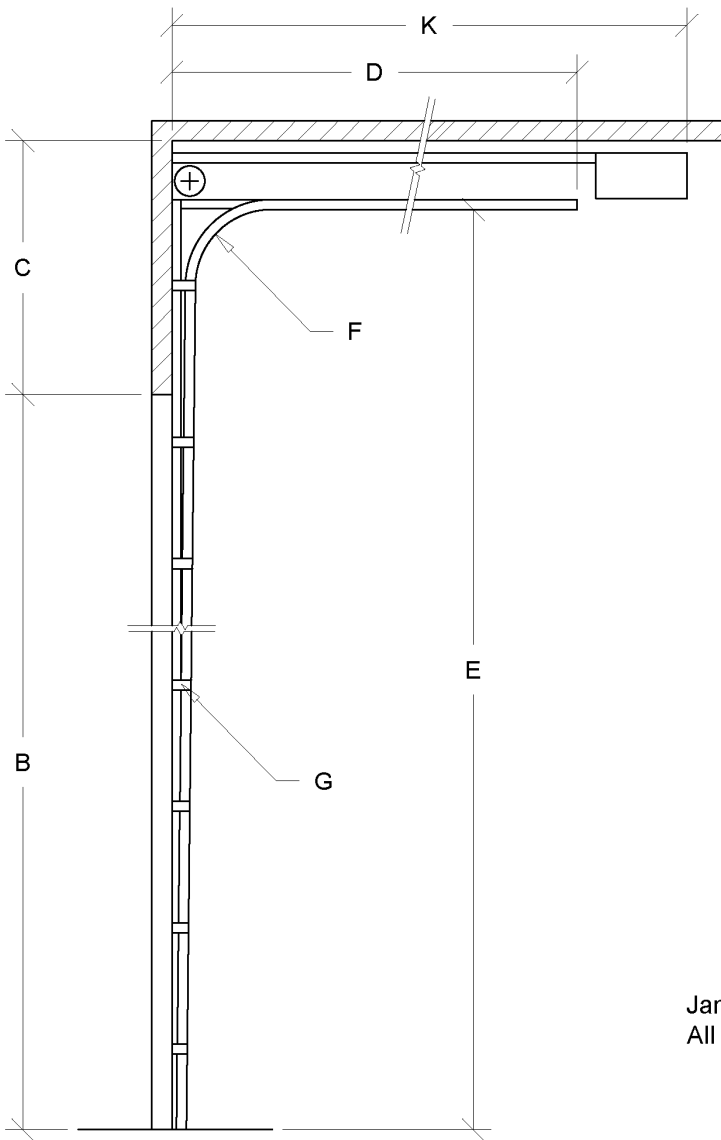
Issue Date: 3/15/2021

# Track System Data Sheet

Customer: C.H.I. SPECIAL  
 Order Number: ECD80569  
 Job Name: Phillip6  
 P.O. #:  
 Door Size: (1) 15' 2" X 10' 0"  
 Door Model: 3297R  
 Track Type: Standard Lift 6" Extended Verticals

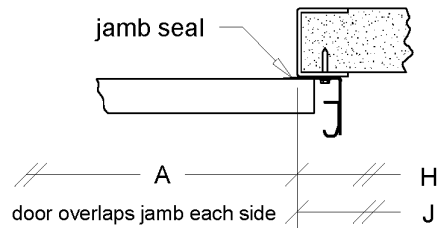
Track Size: 2"  
 Horizontal Gauge: 14  
 Vertical Gauge: 14

## Detail Through Wall



A	Opening Width	15' 0"
B	Opening Height	10' 0"
C	Headroom	24"
D	Backdepth	11' 10"
E	Floor to Horizontal Track	11' 1"
F	Track Radius	15"
G	Track Mounting	Clip
H	Track Sideroom	2 3/4"
J	Spring System Sideroom	5"
K	Opener Backdepth	26"

## Typical Through Steel Jamb Detail



Jams shown may not depict actual field conditions  
 All jamb material supplied by others

# Spring System Data Sheet

Customer: C.H.I. SPECIAL  
 Order Number: ECD80569  
 Job Name: Phillip6  
 P.O. #:  
 Door Size: (1) 15' 2" X 10' 0"  
 Door Model: 3297R  
 Track Type: 2" R15" Standard Lift 6" Extended Verticals

Spring Size: 2 5/8" X 0.2830" X 41"  
 Turns on Spring: 10 1/4  
 Cycalge: 10,000  
 Spring Shaft: 1" Solid  
 Drum Type: 4-12 DRUM  
 Balance Weight: 421lbs.  
 Cable Diameter: 1/8"  
 Cable Length: 12' 1"

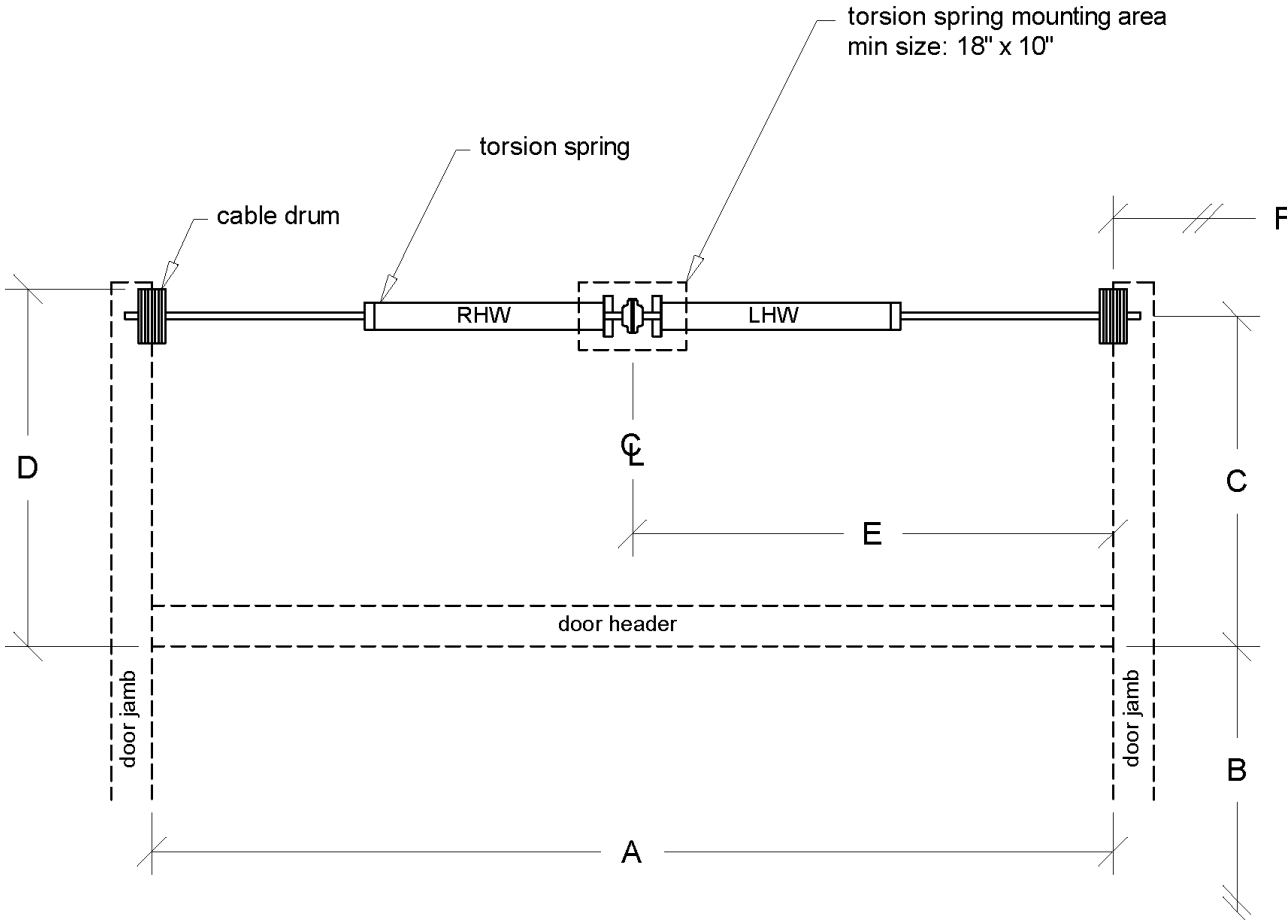
All mounting surfaces must be structural components and not covered with drywall, paneling or any other building material.

Attachment of jamb plates, header plate and torsion spring mounting area to building framework must provide adequate support to sustain door weight, track and spring assemblies as well as resistance to wind load forces and vibration caused by door operation.

Wood: Torsion spring mounting area should be reinforced to structure with a minimum of (4) 5/16" x 4" wood lags. Wood framing should be Southern Pine or better structural species, Grade2/better, free of cracks, splits and knots.

Steel: Torsion spring mounting area should be minimum of 1/4" thick structural material.

A	Opening Width	15' 0"
B	Opening Height	10' 0"
C	Shaft Center	18-1/2"
D	Top of Drum	21"
E	Center Pad	7' 6"
F	Spring System Side Room	5"

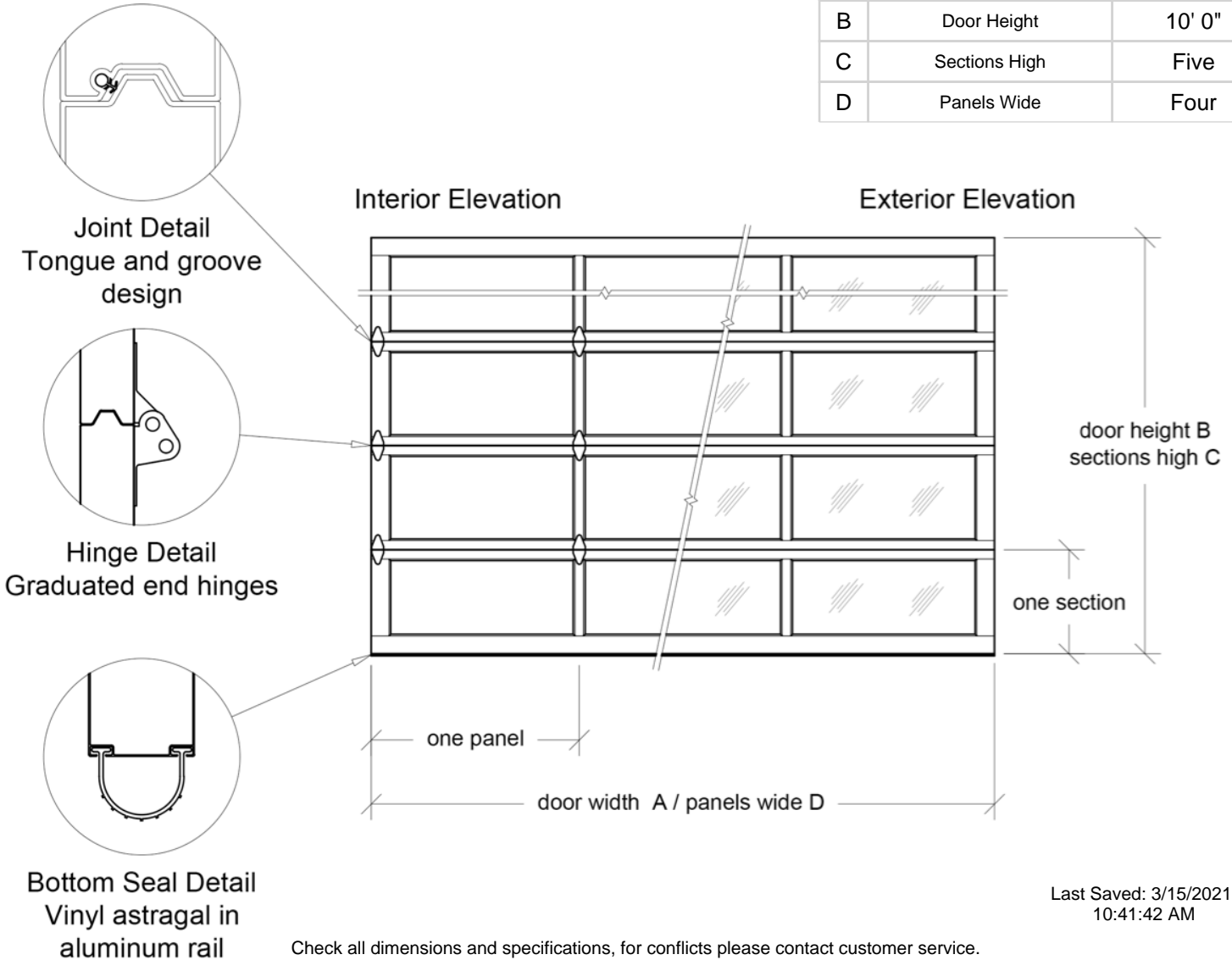


# Door Section Data Sheet

Customer: C.H.I. SPECIAL  
 Order Number: ECD80569  
 Job Name: Phillip6  
 P.O. #:  
 Door Size: (1) 15' 2" X 10' 0"  
 Door Model: 3297  
 Panel Material: 6063-T6 Aluminum.  
 Panel Profile: Not available for this model  
 Door Color: Exterior: C.H.I. Gray powder coating  
 Joint Design: Tongue and groove rails with weather seal.  
 End Stiles: End stiles: 4" face; Center Stiles: 2" face. Thur-bolted to rails.  
 Insulation: CFC polystyrene insulated stiles and rails, R-Value: 2.95  
 Hardware: Galvanized steel hinges are 14 gauge  
 Glazing: Section 1: 1/8" Plain DSB glass window lites, Section 2: 1/8" Plain DSB glass window lites, Section 3: 1/8" Plain DSB glass window lites, Section 4: 1/8" Plain DSB glass window lites, Section 5: 1/8" Plain DSB glass window lites

Section Thickness: 2"  
 Panels: 24" high by width of door  
 Trussing: Three 3" Aluminum  
 Locking: Locking not provided by CHI  
 Weather Seal: Jamb seal and top seal provided by others  
 Rollers: 10 ball bearings with steel tire.

A	Door Width	15' 2"
B	Door Height	10' 0"
C	Sections High	Five
D	Panels Wide	Four



Check all dimensions and specifications, for conflicts please contact customer service.

Preliminary design details based upon information available at date of issue.  
 Contact Customer Service for assistance if any changes are required.

Last Saved: 3/15/2021  
 10:41:42 AM

Issue Date: 3/15/2021

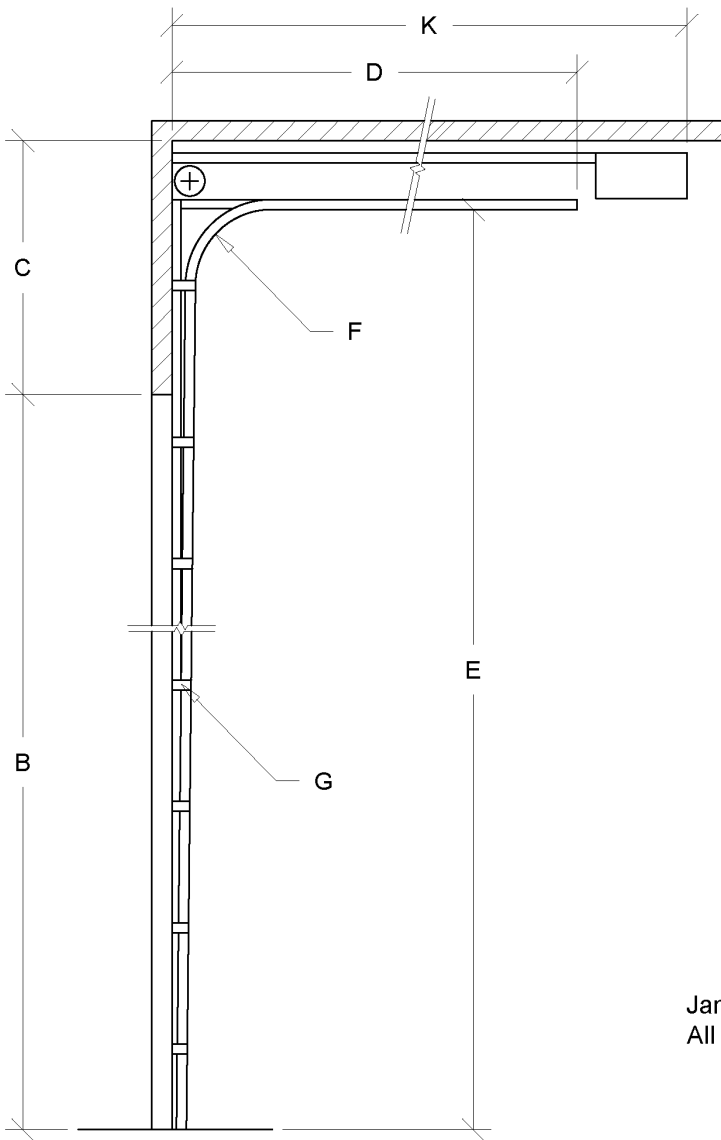


# Track System Data Sheet

Customer: C.H.I. SPECIAL  
 Order Number: ECD80556  
 Job Name: Phillip2  
 P.O. #:  
 Door Size: (1) 18' 7" X 10' 0"  
 Door Model: 3297R  
 Track Type: Standard Lift 6" Extended Verticals

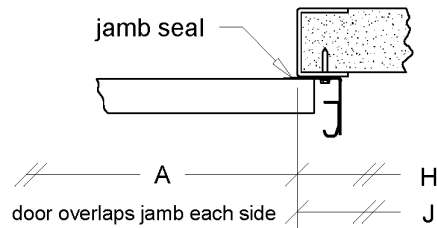
Track Size: 2"  
 Horizontal Gauge: 14  
 Vertical Gauge: 14

## Detail Through Wall



A	Opening Width	18' 5"
B	Opening Height	10' 0"
C	Headroom	24"
D	Backdepth	11' 10"
E	Floor to Horizontal Track	11' 1"
F	Track Radius	15"
G	Track Mounting	Clip
H	Track Sideroom	2 3/4"
J	Spring System Sideroom	5"
K	Opener Backdepth	26"

## Typical Through Steel Jamb Detail



Jams shown may not depict actual field conditions  
 All jamb material supplied by others

# Spring System Data Sheet

Customer: C.H.I. SPECIAL  
 Order Number: ECD80556  
 Job Name: Phillip2  
 P.O. #:  
 Door Size: (1) 18' 7" X 10' 0"  
 Door Model: 3297R  
 Track Type: 2" R15" Standard Lift 6" Extended Verticals

Spring Size: 2 5/8" X 0.3195" X 54"  
 Turns on Spring: 10 1/4  
 Cycalge: 10,000  
 Spring Shaft: 1" Solid  
 Drum Type: 4-12 DRUM  
 Balance Weight: 575lbs.  
 Cable Diameter: 1/8"  
 Cable Length: 12' 1"

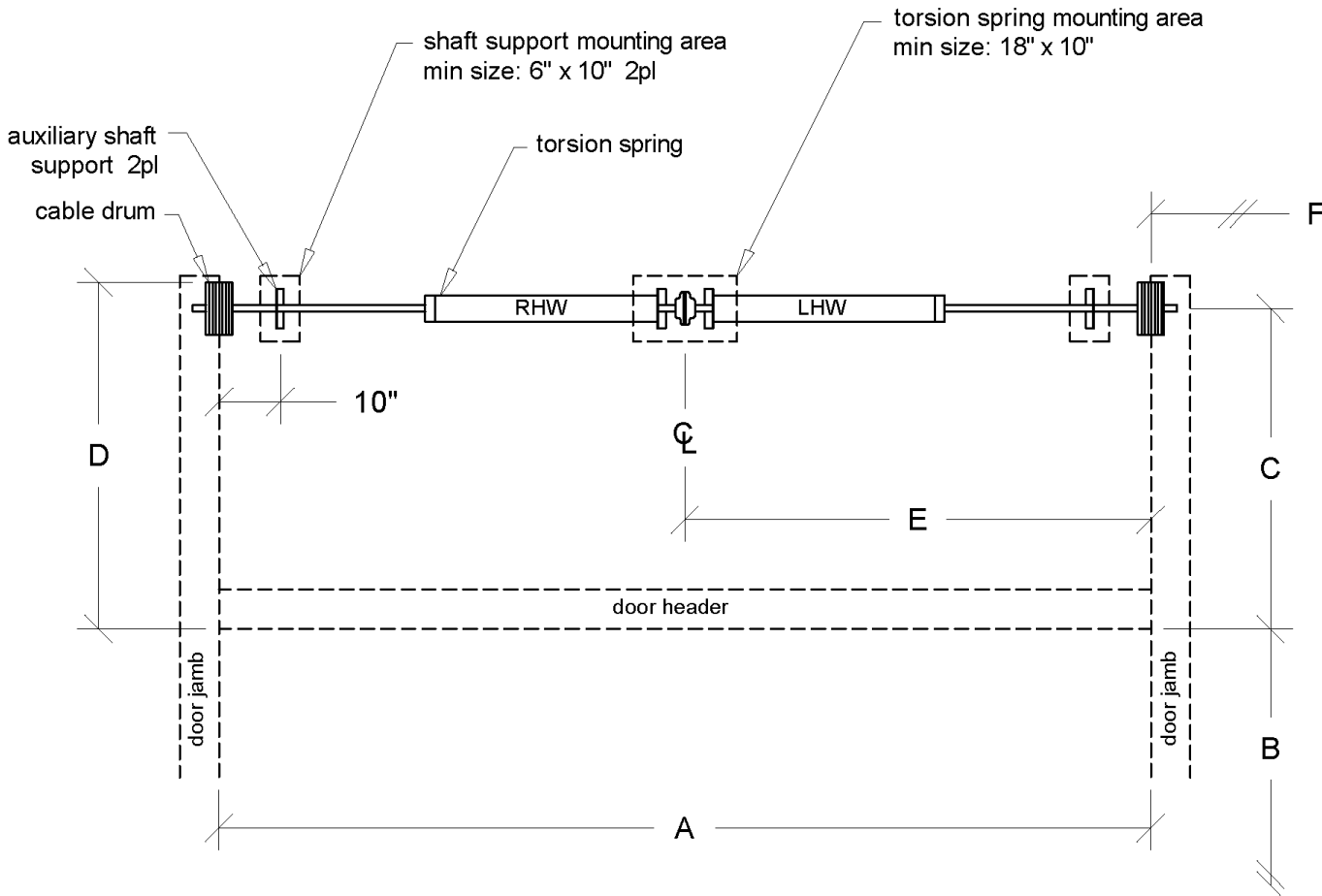
All mounting surfaces must be structural components and not covered with drywall, paneling or any other building material.

Attachment of jamb plates, header plate and torsion spring mounting area to building framework must provide adequate support to sustain door weight, track and spring assemblies as well as resistance to wind load forces and vibration caused by door operation.

Wood: Torsion spring mounting area should be reinforced to structure with a minimum of (4) 5/16" x 4" wood lags. Wood framing should be Southern Pine or better structural species, Grade2/better, free of cracks, splits and knots.

Steel: Torsion spring mounting area should be minimum of 1/4" thick structural material.

A	Opening Width	18' 5"
B	Opening Height	10' 0"
C	Shaft Center	18-1/2"
D	Top of Drum	21"
E	Center Pad	9' 2 1/2"
F	Spring System Side Room	5"

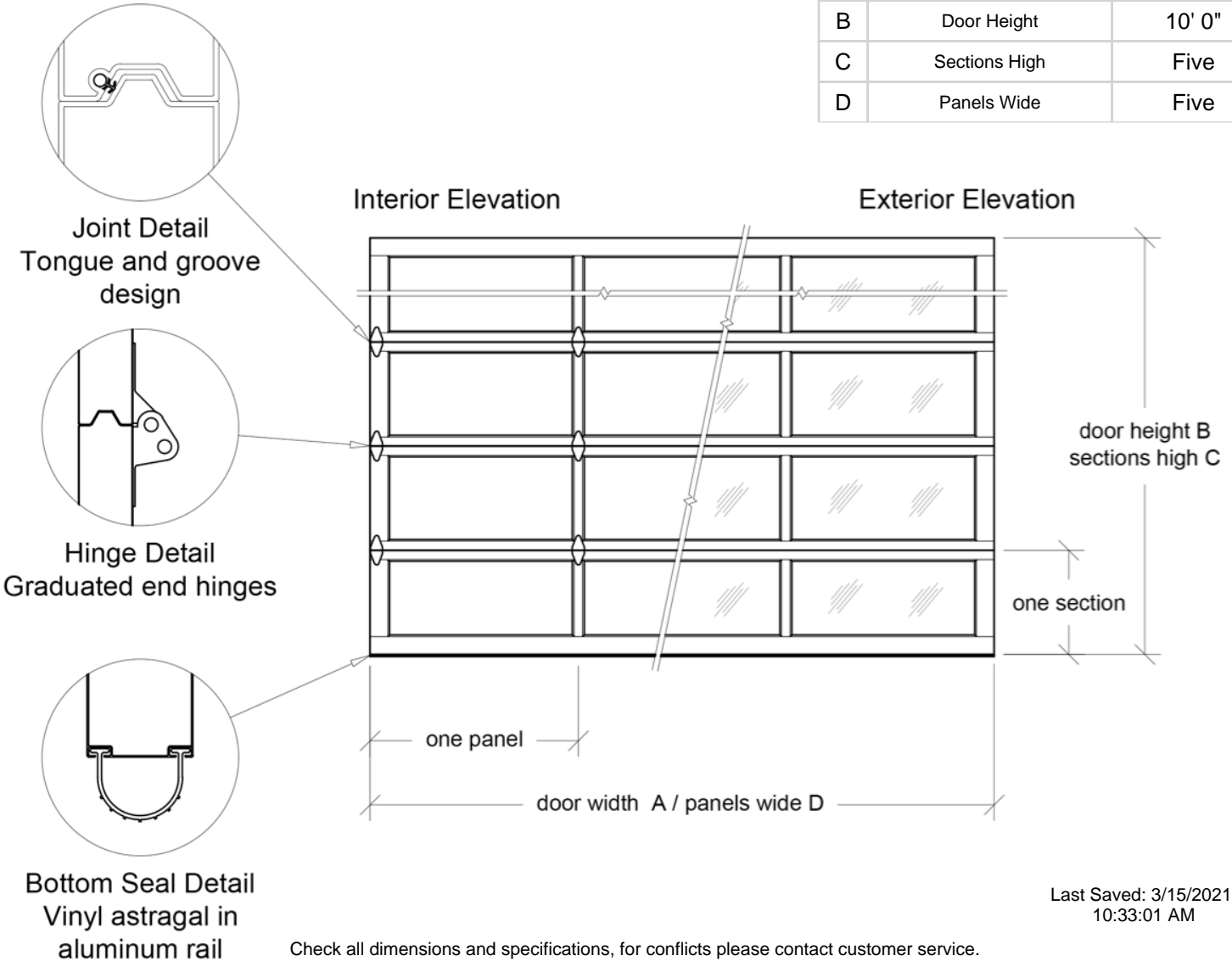


# Door Section Data Sheet

Customer: C.H.I. SPECIAL  
 Order Number: ECD80556  
 Job Name: Phillip2  
 P.O. #:  
 Door Size: (1) 18' 7" X 10' 0"  
 Door Model: 3297  
 Panel Material: 6063-T6 Aluminum.  
 Panel Profile: Not available for this model  
 Door Color: Exterior: C.H.I. Gray powder coating  
 Joint Design: Tongue and groove rails with weather seal.  
 End Stiles: End stiles: 4" face; Center Stiles: 2" face. Thur-bolted to rails.  
 Insulation: CFC polystyrene insulated stiles and rails, R-Value: 2.95  
 Hardware: Galvanized steel hinges are 14 gauge  
 Glazing: Section 1: 1/8" Plain DSB glass window lites, Section 2: 1/8" Plain DSB glass window lites, Section 3: 1/8" Plain DSB glass window lites, Section 4: 1/8" Plain DSB glass window lites, Section 5: 1/8" Plain DSB glass window lites

Section Thickness: 2"  
 Panels: 24" high by width of door  
 Trussing: Five 3" Aluminum  
 Locking: Locking not provided by CHI  
 Weather Seal: Jamb seal and top seal provided by others  
 Rollers: 10 ball bearings with steel tire.

A	Door Width	18' 7"
B	Door Height	10' 0"
C	Sections High	Five
D	Panels Wide	Five



Check all dimensions and specifications, for conflicts please contact customer service.

Preliminary design details based upon information available at date of issue.  
 Contact Customer Service for assistance if any changes are required.

Last Saved: 3/15/2021  
 10:33:01 AM

Issue Date: 3/15/2021