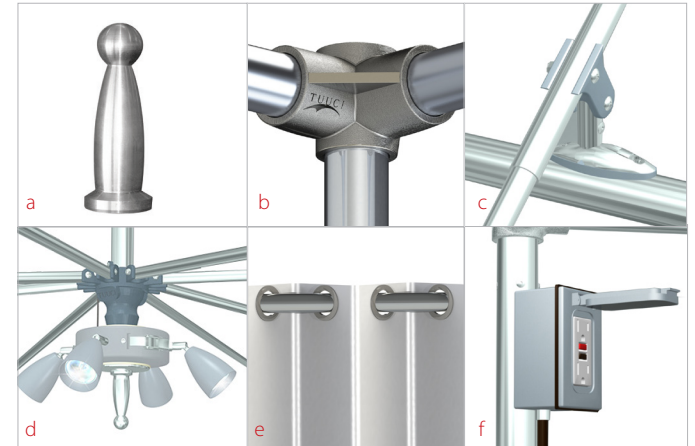


atlantis cabana

Adding a dramatic sense of style to any setting has never been easier. The Atlantis Cabana is an impressive combination of TUUCI's distinctive style and customary utility. Topped with a vector vent and flanked with ample drapes in high-performance marine-grade fabric, the Atlantis is built with an Armor-Wall™ aluminum marine alloy frame. It can be secured directly to a deck or in portable bases to create the perfect temporary or permanent outdoor room.



shapes & sizes



square

ft. / m.
8.0' / 2.45
9.0' / 2.75
**10.0' / 3.0
**11.0' / 3.4



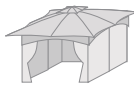
rectangle

ft. / m.
**8' x 12' / 2.45 x 3.65

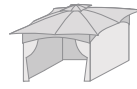
side wall option / curtains



accent curtains



full curtains



tensioned fabric walls



tensioned fabric walls with windows



1 tensioned back wall & full curtains

**includes highwind stabilizers

features:

- a. Venice Aluminum Finial
- b. Armor-Wall Mast
- c. Reinforced Strut Joints
- d. Aluminum Construction w/ Stainless Steel Components
- e. Stainless Steel Curtain Rings, Grommets and Clips
- f. Optional Pre-Wired Junction Box

global headquarters
2900 NW 35th Street, Miami, FL 33142 USA | 305.634.5116 | info@tuuci.com

european office
Nedervonder 17, 5061 JP Oisterwijk, The Netherlands | +31.13.522.0471 | info@tuuci.eu

v.06.13.17

tuuci.com

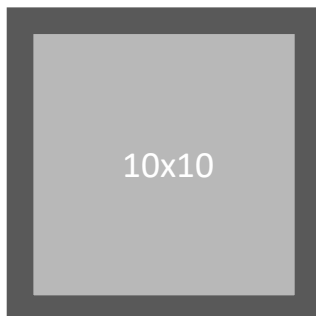
TUUCI Atlantis Cabana

P-01



TUUCI Atlantis Cabana

P-01



TAG : P-6 POOLSIDE CABANAS (Clubhouse Pool & Kid's Pool)

QTY 5

Atlantis Cabana 10x10 SQ

Canopy: Black 6008 Grade C

Accent Curtains : Black 6008 Grade C

Above Ground Base option -

G-plate 105lbs (4 bases needed per cabana)

Inground Base option -

Classic Flush mount (4 bases needed per cabana)

TUUCI Atlantis Cabana Mount Options



Above Ground Base option -
G-plate 105lbs (4 bases needed per cabana)



Inground Base option -
Classic Flush mount (4 bases needed per cabana)



TUUCI®

made in miami

*TUUCI Equinox Cabana
Specification, Warranty & Wind Load Information*

Country Club at Muirfield Village

global headquarters
1000 SE 8th Street,
Miami-Hialeah, FL 33010 USA
305.634.5116

tuuci equinox cabana

TUUCI Equinox Cabana structures effortlessly transform any patio, poolside or outdoor landscape into open-air living rooms. The sleek modular design can be customized through lighting and music to walls and seating. The outdoors never felt more luxurious.



shown in powder coat silver

shapes & sizes



square
ft. / m.
8.0' / 2.45
10.0' / 3.0
12.0' / 3.7



Rectangle
ft. / m.
8'x10' / 2.45x3.0
8'x12' / 2.45x3.65
10'x12' / 3.0x3.65

finish options

powder coat



silver



ash grey

aluma-TEAK



natural



textured bright white



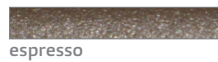
sea shell white



weathered



hammered bronze



espresso



java



jet black



aspen white

features:

- a. Lighting Option
- b. Tv Mount Option/Trellis Roof
- c. Heater Option
- d. Trellis Roof
- e. Water Resistant Fabric Roof Option
- f. Bench, L Bench or Bed
- g. 4 trellis side walls / front & inside full fabric curtains / 2 trellis roofs
- h. Full Fabric Curtains with Tie Backs
- i. Outlet (power source required) and USB port
- j. In ground security mount IGSM with leveling base plate

TUUCI Equinox Cabana



12' Square TUUCI EQUINOX with AlumaTEAK Java, Back Trellis, 'L' Bench, Trellis Roof, Lighting

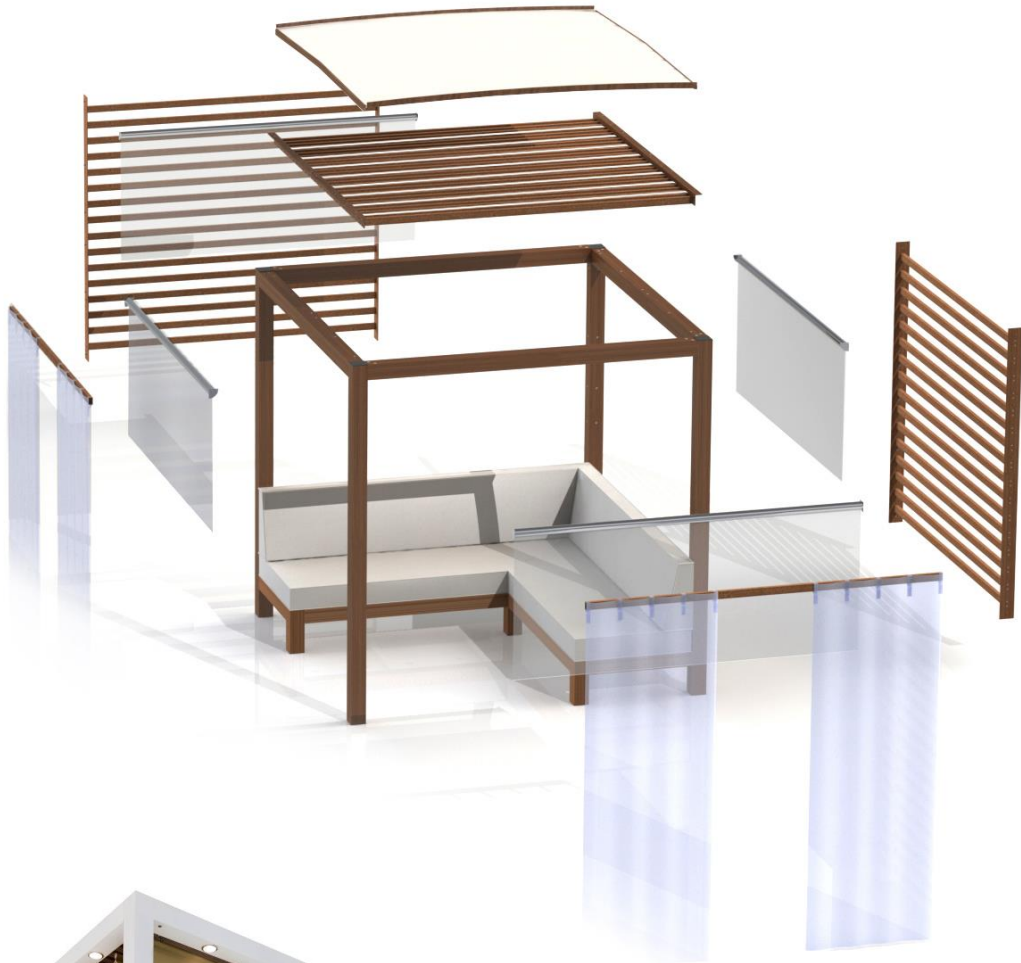
10' Square TUUCI EQUINOX Powdercoated Textured Bright White, Back & Side Trellis, 'L' Bench, Water-Resistant Hard Top Roof, Lighting



8' Square TUUCI EQUINOX with AlumaTEAK Weathered, Back Trellis, Full Bed, Trellis Roof, Side Curtains, Lighting

TUUCI Equinox Cabana

Break down of features

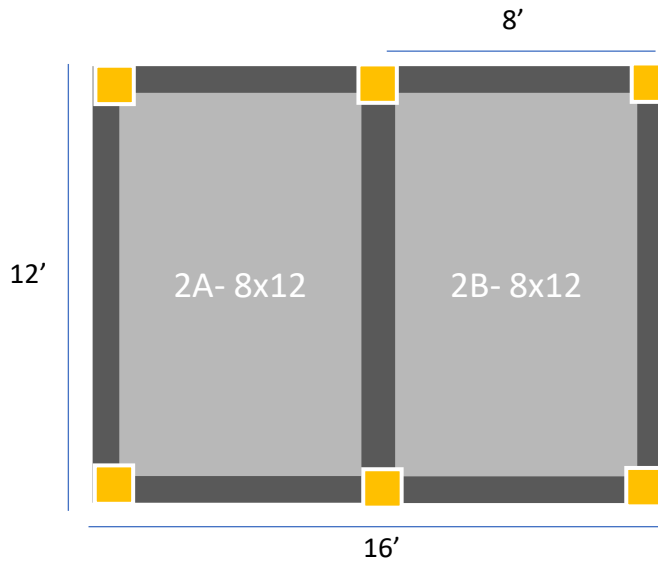


Roman Shade



TUUCI Equinox Cabana

P-02



TAG : P-02 PERGOLA

Total of 2 Cabanas in P-02 Pergola

2A

Equinox 8'x12' Rectangle

Cabana to connect on 12' (long side)

Frame Finish : Weathered Aluma-teak

Trellis Roof : Weathered Aluma-teak

Back wall 1 : open

Side wall 2 and 4 : open

Front wall 3 : open

TAG : P-02 PERGOLA

Total of 2 Cabanas in P-02 Pergola

2B

Equinox 8'x12' Rectangle

Cabana to connect on 12' (long side)

Frame Finish : Weathered Aluma-teak

Trellis Roof : Weathered Aluma-teak

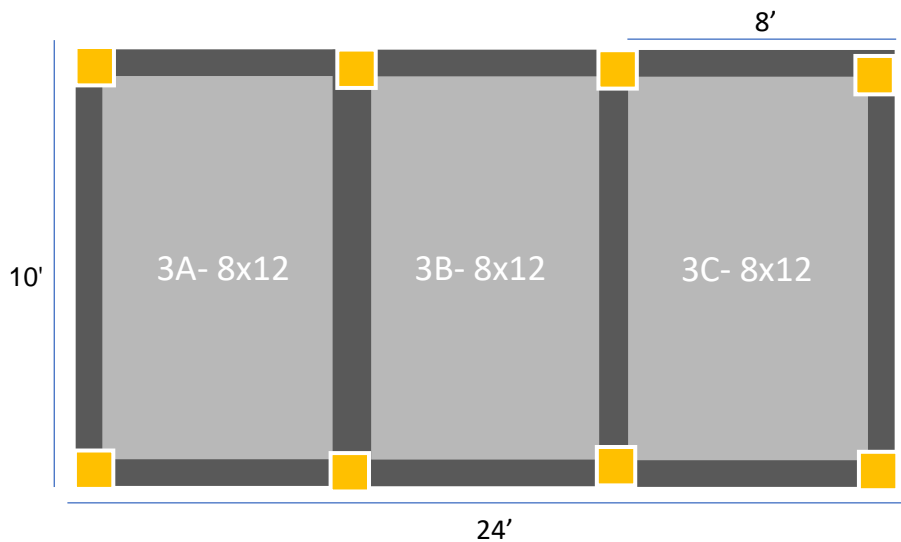
Back wall 1 : open

Side wall 2 : open

Front wall 3 : open

TUUCI Equinox Cabana

P-03



TAG : P-04 PERGOLA

TOTAL 3 CABANAS IN P-04

3A

Equinox 8'x12' Rectangle

Cabana to connect on 12' (long side)

Frame Finish : Weathered Aluma-teak

Water Resistant Hard top

Back wall : open

Side wall 2 & 4 : open

Front wall 3 : open

TAG : P-04 PERGOLA

TOTAL 3 CABANAS IN P-04

3B

Equinox 8'x12' Rectangle

Cabana to connect on 12' (long side)

Frame Finish : Weathered Aluma-teak

Water Resistant Hard top

Back wall : open

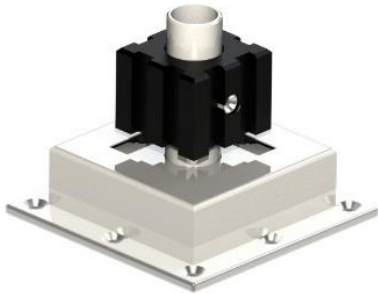
Side wall 2 & 4 : open

Front wall 3 : open

Prices do not include mounts, PE Drawings, any necessary permits or approvals, installation, or delivery.

Prices do not include mounts, PE Drawings, any necessary permits or approvals, installation, or delivery.

TUUCI Equinox Cabana Mount Options



Stainless Steel 9" x 9" Bottom Plate Mount with EQUINOX Leveling Plate. For existing concrete
\$375.00 per unit



In-ground Security Mount with EQUINOX Leveling Plate. For new pour concrete
\$312.50 per unit

TUUCI Equinox Cabana
Warranty

15-Year Warranty Premium Aluminum Framed Cabanas
TUUCI Equinox™ Cabana

15-years

Entire frame structure, including trellis walls, trellis roof, beams, columns
and bench supports

10-years

SUNBRELLA® and other TUUCI Tuff Skin marine-grade fabric

5-years

SUNBRELLA® and other TUUCI Tuff Skin furniture-grade fabric
Frame finishes, including powder coat and TUUCI's exclusive Aluma-TEAK™

1-year

Electrical components, including LED lighting, heaters and automation
components

TUUCI Equinox Cabana

Wind Rating

Letter from our President, Tom Parker:

TUUCI manufactures a variety of modular structures in our cabana line (Equinox, Atlantis, Grand Pacific, and Crescent). Each of these cabanas are durable and built for everyday use in commercial environments. Each of these products are modular and can be assembled and disassembled in minutes. Nothing on the structures is welded; the entire cabana can be disassembled quickly and easily. Curtains and fabric tops are designed to be removed with standard tools.

Because of the modular design, the cabanas are not “permanent structures” and therefore, are NOT subject to local building regulations, including wind load regulations. TUUCI’s various cabana styles currently are in use by numerous properties around the state of Florida without being subject to building code regulations.

TUUCI has wind tested each of these products for structural integrity in high winds. The following are general wind ratings for standard products with column mounts securely bolted to the ground:

Equinox Cabana with trellis roof: 55 mph
Equinox Cabana with fabric roof: 50 mph
Crescent Cabana with fabric roof: 45 mph
Grand Pacific with fabric roof: 45 mph
Atlantis Cabana with fabric roof: 35 mph

If sustained winds are expected to exceed 35 mph, we strongly recommend that any fabric top, walls, or curtains be removed. The wind can be exceedingly difficult on fabric; certainly, it is best to remove and store all fabric items during heavy weather events.

If any contractors or building inspectors working on your property would like to discuss this issue with me, please do not hesitate to give them my contact information.

Thank you for your business.

Sincerely,

Thomas Parker
President and General Counsel
tparker@tuuci.com

caution: may cause sudden relaxation

global headquarters

1000 SE 8th Street, Miami-Hialeah, FL 33010 USA/ 305.634.5116
info@tuuci.com

european office

Nedervonder 17, 5061 JP Oisterwijk, The Netherlands /
+31.13.522.0471
info@tuuci.eu

www.facebook.com/tuucishade

www.tuuci.com

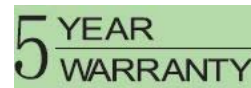
v.121026



Product Features



- High efficiency LED Driver, the wide range input voltage AC120-277V or AC277-480V;
- Lumileds LED high luminous efficiency and long life.
- Cast aluminium design, better cooling and easy replacement, light quality, LED Tj < 85°C.
- Excellent optical design, greatly improve the light utilization and evenness.
- **Photocell Control and Motion Sensor Available (Option)**



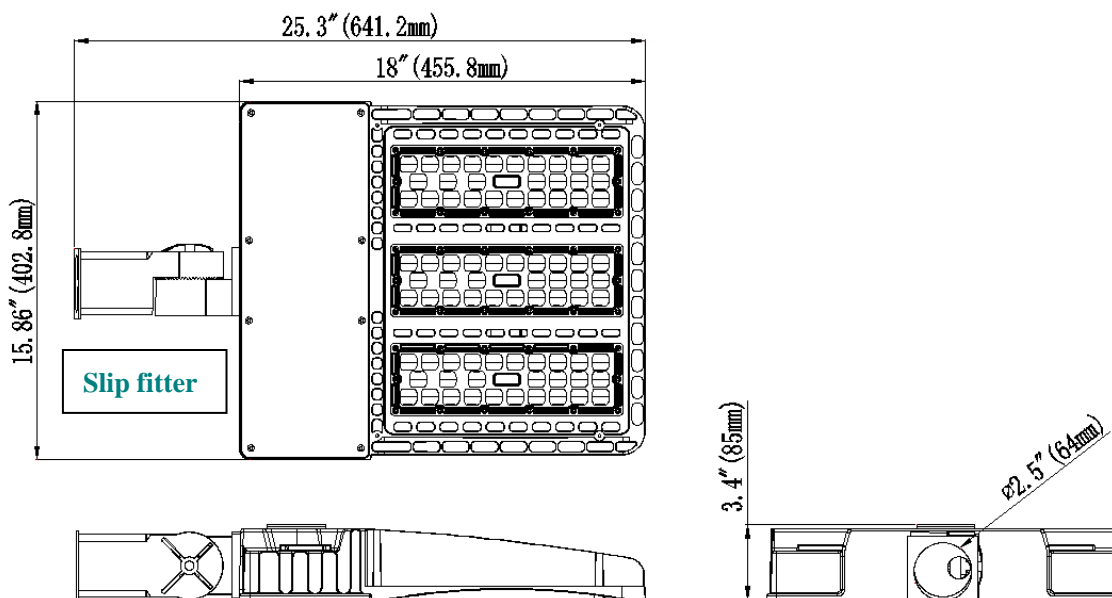
Product Applications

WSD LED SHOEBOX AREA LIGHT series can be widely used in Urban roads, Industrial areas, Residential areas, Sidewalks, Parking lot, Schools, Gardens and etc.

Structure Features

- **Shell materials:** Aluminum & PC.
- **Finish:** Dark Bronze/White
- **Net weight:** 11.50kgs (25.40 lbs)
- **Packing Size:** 27.6" * 18.5" * 7.3" (700*470*185mm)

Unit: inch (mm)

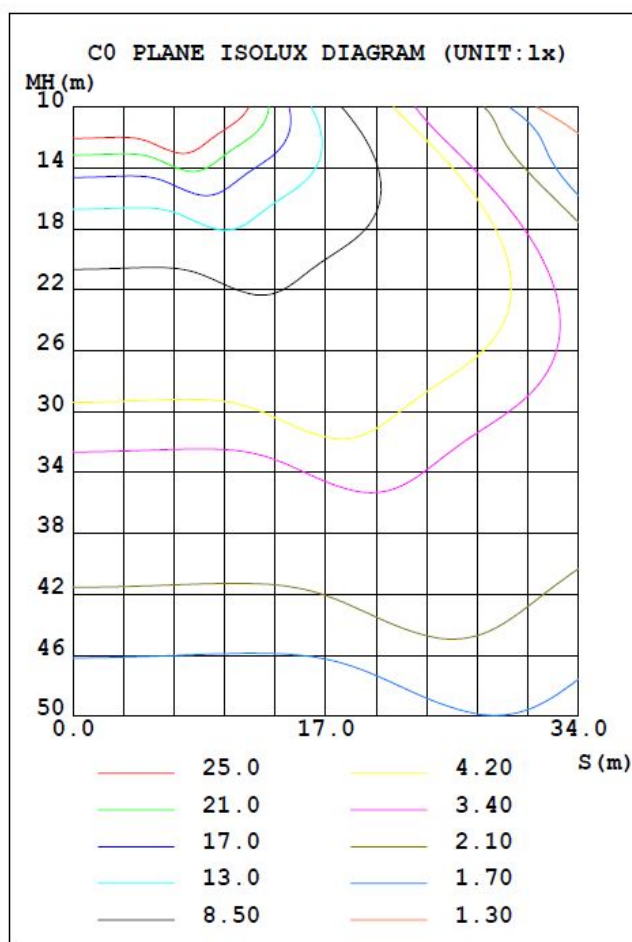
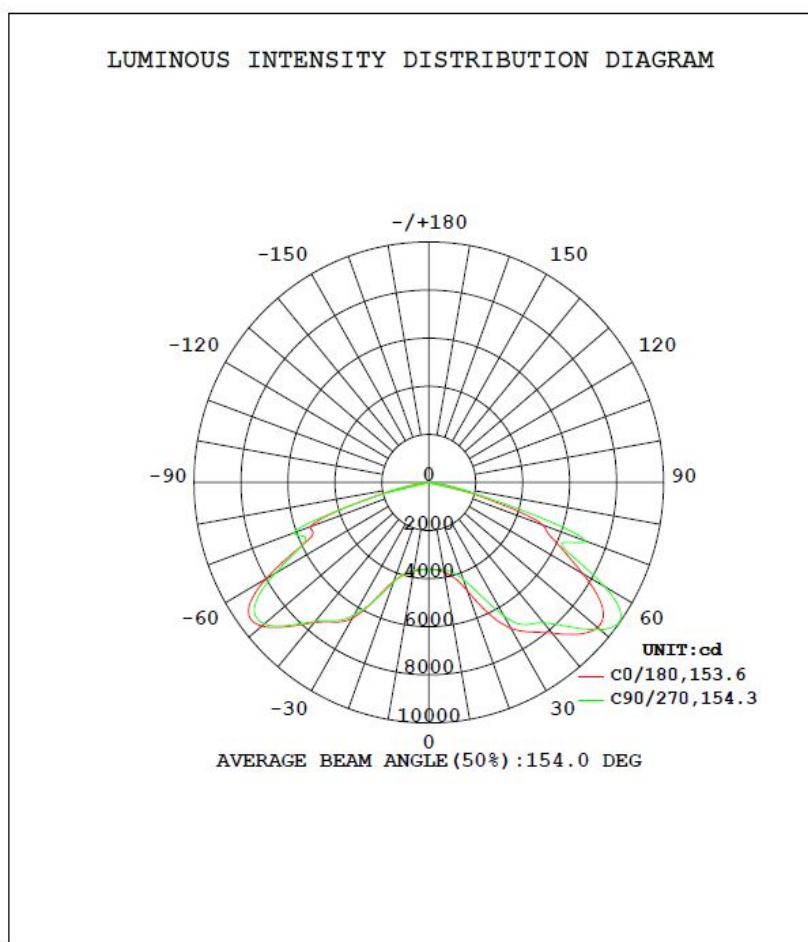




■ Technical Parameters

Type	WSD-SB30W27-40K-Z-TN-U-Y WSD-SB30W48-40K-Z-TN-U-Y		
Power	300W	Lighting Angle	Type II, Type III, Type V
Input Voltage	AC120-277V AC277-480V	LED Brightness Decay	<5%/6000 hrs
PF	>0.95	Working Life	>50000 hrs
Driver Efficiency	>90%	Working Temperature	-30 - +45°C
Luminous Flux	36000Lm	Storage Temperature	-40 -+80°C
Color Temperature	4000K/5000K/5700K	Protection Level	Wet Location/IP65
CRI	Ra>80	Cable	3 core, 18AWG

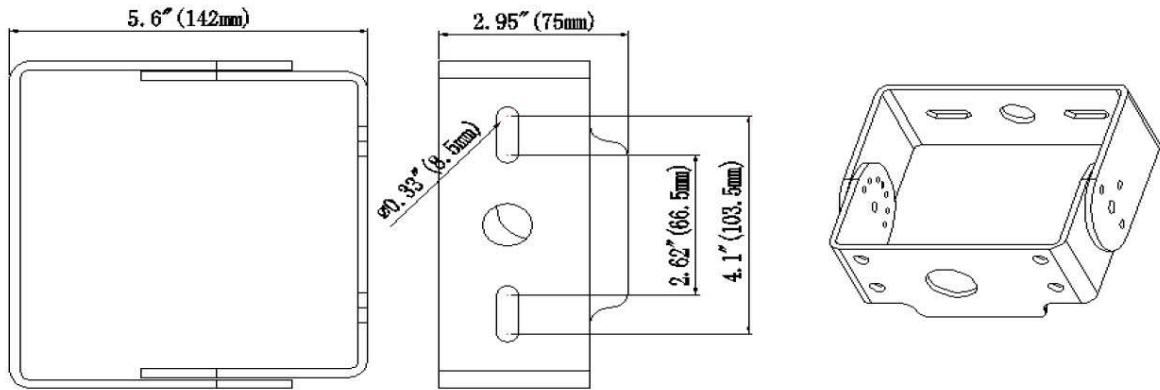
■ Photometry and Type V:



■ Accessory Option:

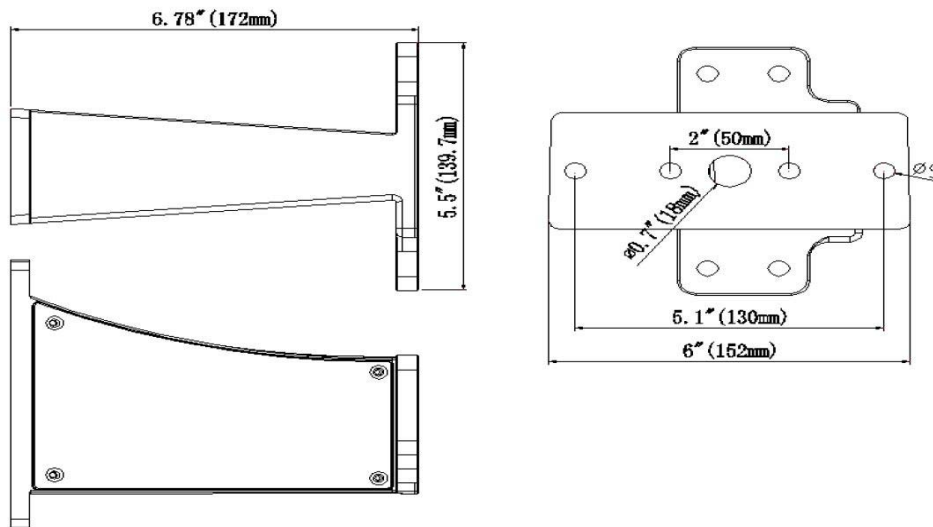
II T: TRUNNION MOUNTING

Dimensions of the trunnion

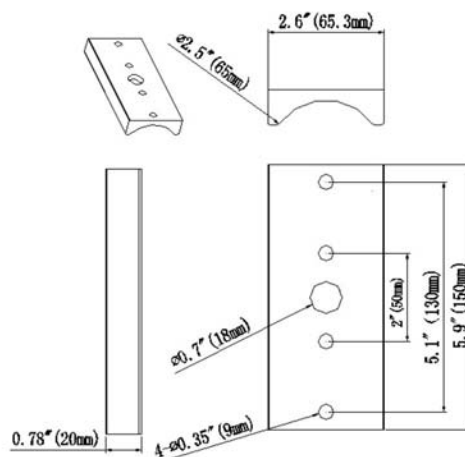


III A1: ARM MOUNTING FOR SQUARE POLE

Arm dimensions



■ ARM Adaptor for Round Pole:



● ORDERING INFORMATION:

EXAMPLE: WSD-SB 30W 27-40K-D-T5-S-P

WSD	SB	10W	27	50K	D	T5	S	P
Company	Product	Power	Voltage	Color Temp	Finish	IES	Mount	Control
WISDOM	SB SHOEBOX LIGHT	06W(60W)	27	40K (4000K)	D	T2	S	P
		10W(100W)	AC120-277V	50K (5000K)	Dark	TypeII	Slip fitter	120-277V
		15W(150W)	48	57K (5700K)	Bronze	T3	T	Photocell
		20W(200W)	AC200-480V	± 500K	W	TypeIII	Trunion	10V
		30W(300W)			White	T5	A	Dimming1-10V
						TypeV	Arm	M
								Motion Sensor

While “XX” may be any digits represented color temperature;
 “Z” may be D or W represented color,
 “N” can be 2, 3 or 5 represented type of lighting distribution;
 “U” can be S, A or T mounting.
 “Y” may be “P” or blank represented type of photoelectric Switches
 “10V” be dimming 1-10V Control
 “M” be Motion Sensor Control.

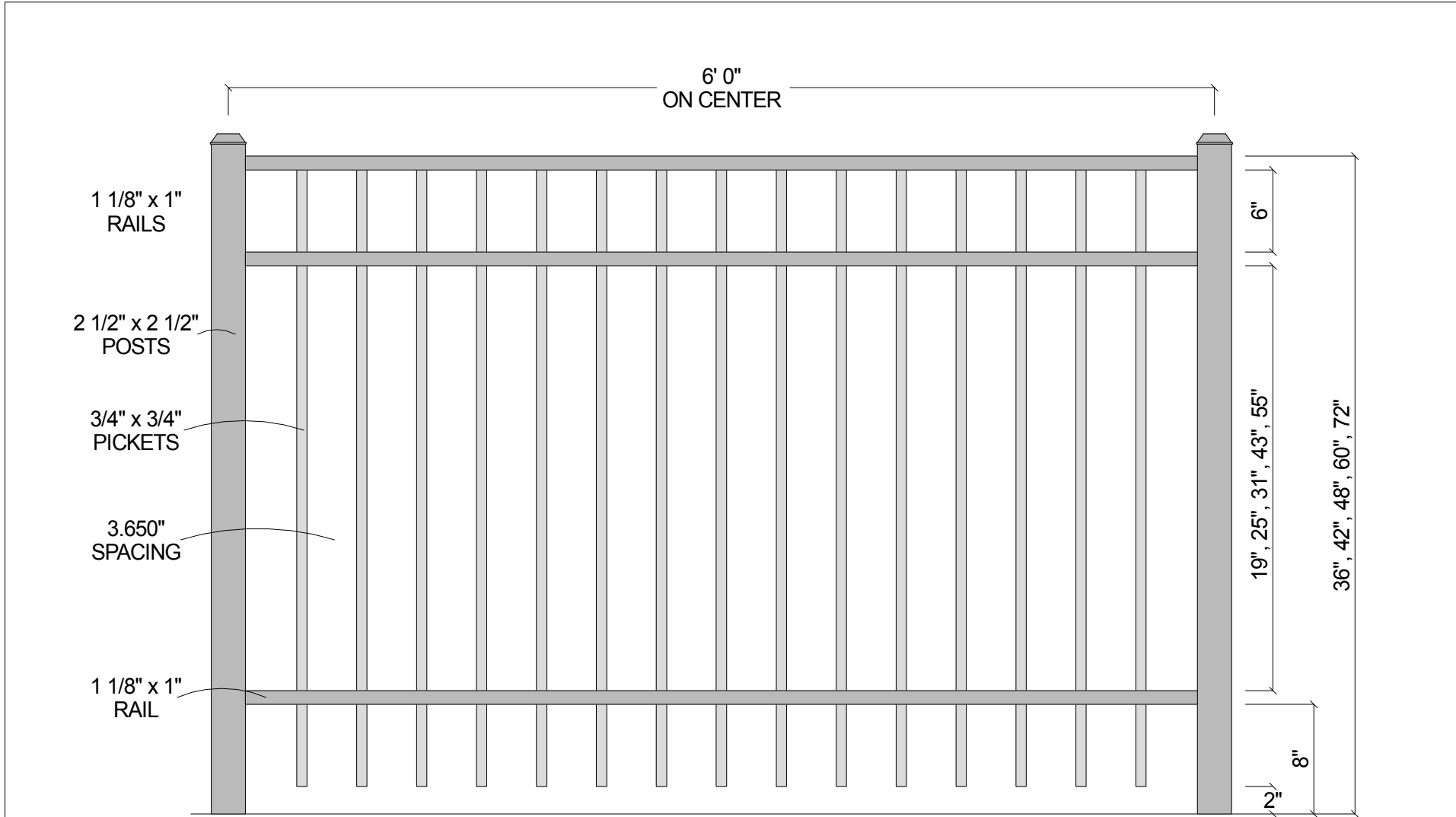
■ Product Certifications



■ Contact Us

WISDOM OPTOELECTRONICS TECHNOLOGY CO.,LIMITED

Tel: +86 755 2744 8585 +86 755 2744 8884 Fax: +86 755 2744 8089
 Email: leo.zhu@wisdom-ssl.com Website: www.wisdom-ssl.com
 Add: FLOOR 8,BUILDING B2 SUNSHINE INDUSTRIAL PARK HEZHOU XIXIANG
 BAOAN DISTRICT SHENZHEN, GUANGDONG , CHINA, 518126,



Post Size	
36" Tall	2 1/2" x 2 1/2" x 5 1/2'
42" Tall	2 1/2" x 2 1/2" x 6'
48" Tall	2 1/2" x 2 1/2" x 6 1/2'
60" Tall	2 1/2" x 2 1/2" x 7 1/2'
72" Tall	2 1/2" x 2 1/2" x 8 1/2'



CourtYard® Aluminum Fence		
Scale: 3/32" : 1"	Approved By:	Drawn By: J.D.S.
Date: 4/15/04		Revised: 4/15/04
1230 (3-Rail Flat Top)		
As Shown: 6' x 48" 1230	Drawing Number: 1230	

ALUMINUM COLORS

DSI Aluminum Products are offered in 12 standard AAMA 2604 colors. Custom colors and AAMA 2605 colors are available by special order.

Colors shown are a close representation of the true color. Please consult actual samples for accurate powder coating colors.



Satin Black



Black Fine Texture



Ninety Bronze



Bronze Fine Texture



Gloss Beige



Gloss White



White Fine Texture



Brown Fine Texture



Speckled Walnut



Sandy Shore



Chocolate



Silver

OPTIONAL COLOR

Select CourtYard® accessories are available in an optional Gold Accent color. See pages 15 and 16 for more information on the items available.



Gold Accent Fine Texture
(Upcharge may apply)