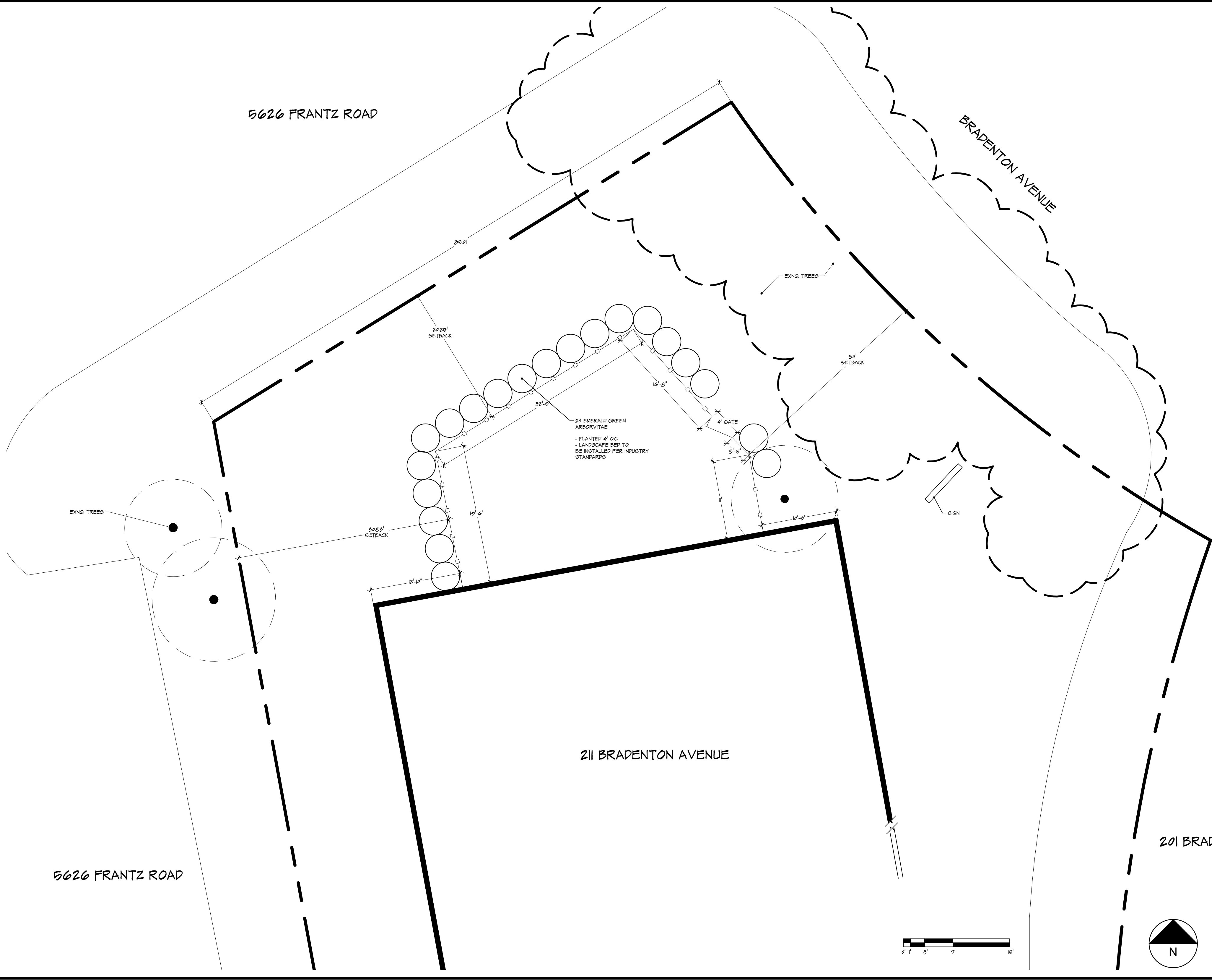


Revisions:	DATE
06.10.21	

**M.J. Design**  
**ASSOCIATES INC.**  
 LANDSCAPE DESIGN • BUILD • MAINTENANCE  
 www.mjdesignassoc.com

ADDRESS: 8463 ESTATES CT. PLAIN CITY, OH 43064  
 PHONE: 614.873.7333  
 FAX: 614.873.7444

**211 BRADENTON AVE.**  
 Dublin, OH 43017



Designed By: MICHAEL COYLE  
 Drawn By: MICHAEL COYLE  
 Approved By: MICHAEL COYLE  
 Date: MAY 12, 2021

Sheet Title:  
**FENCE PLAN**

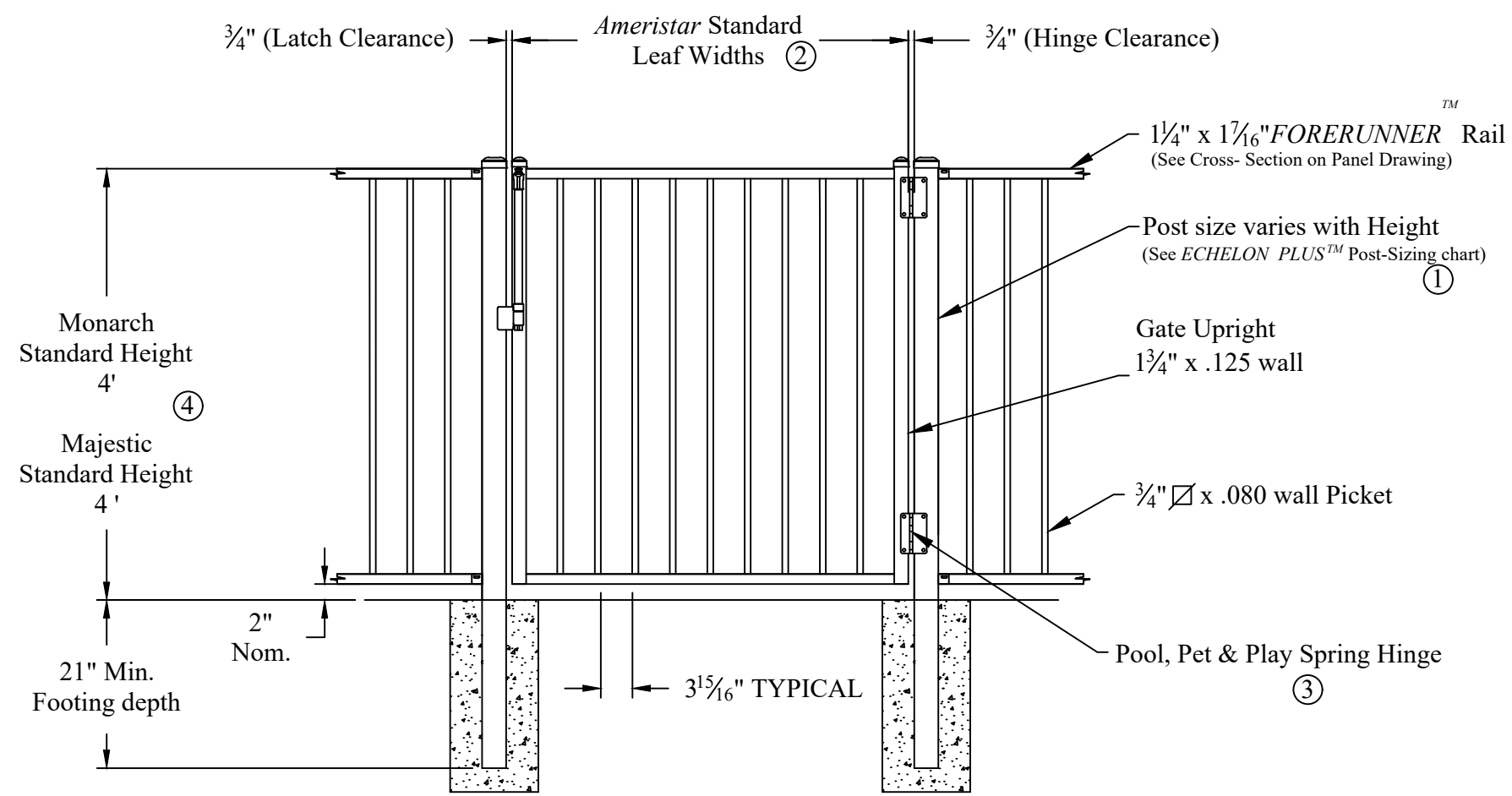
Scale: 1/8" = 1'

Sheet No.: FE - 1

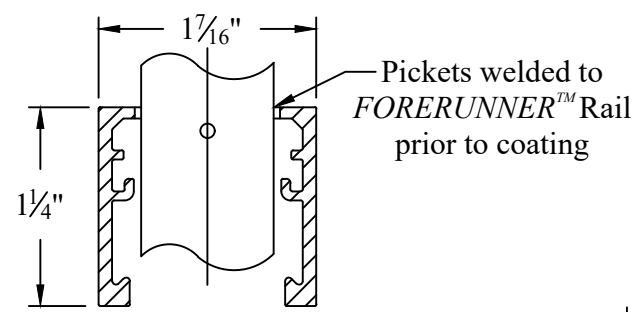
Revisions:	DATE
06.10.21	

**M.J. Design**  
 ASSOCIATES INC.  
 LANDSCAPE DESIGN • BUILD • MAINTENANCE  
 www.mjdesignassoc.com

ADDRESS: 8463 ESTATES CT. DUBLIN, OH 43064  
 PHONE: 614.873.7333  
 FAX: 614.873.7444



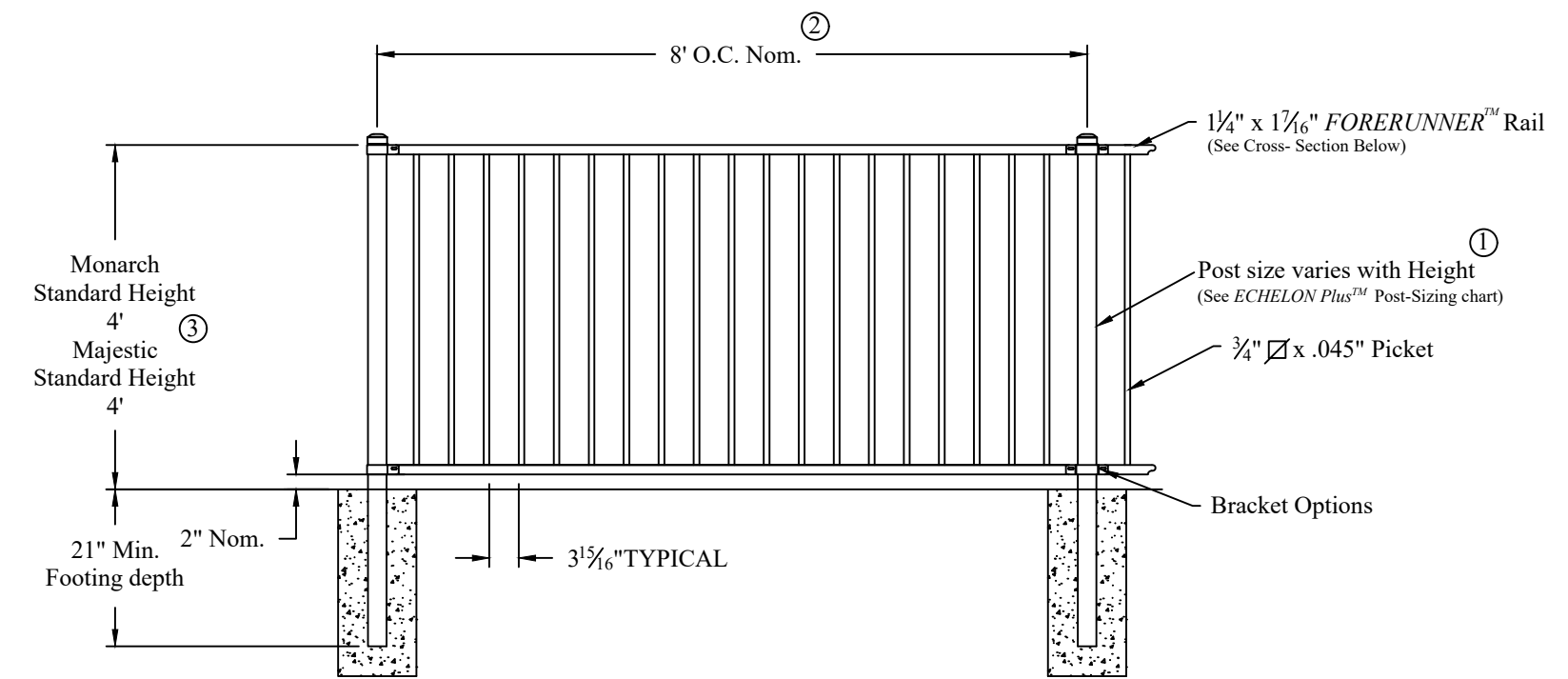
Single gate Arrangement



GATE DETAIL

**NOTES:**

- 1.) Post size depends on fence height, weight and wind loads. See ECHELON PLUS™ post sizing chart.
- 2.) See Ameristar gate table for standard out to outs. Custom gate openings available for special out to out/leaf widths.
- 3.) Additional styles of gate hardware are available on request. This could change the Latch & Hinge Clearance.

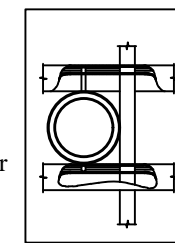


**NOTES:**

- 1.) Post size depends on fence height and wind loads. See ECHELON Plus™ post sizing chart.
- 2.) Panels also available for 6' on center post spacing.
- 3.) Monarch is 2 rail, and Majestic is 3 rail style.

**RING OPTION**

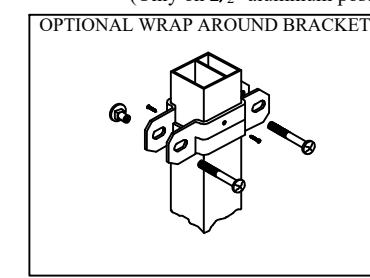
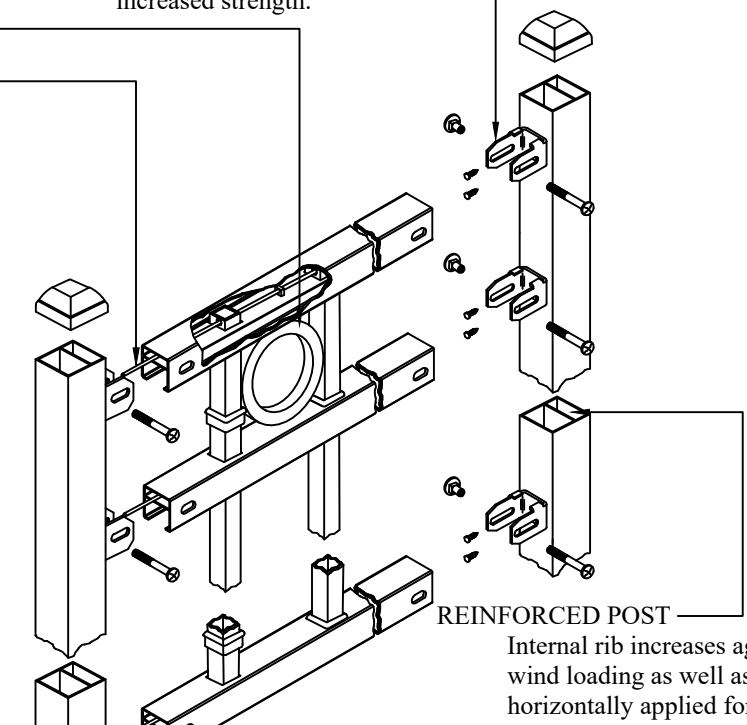
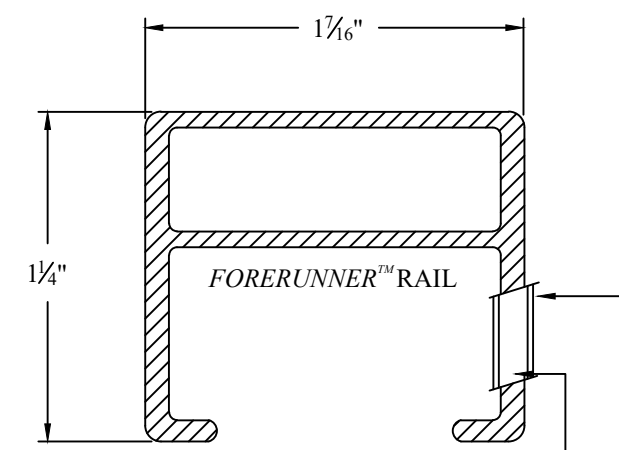
Held in place with upper and lower internal retaining rods to eliminate unsightly external fasteners.



**PANEL BRACKET**

Specially designed two-point connection ensures fixity of rail ends for increased strength.

**INTERNAL RETAINING ROD**  
 Variable pitch connection system for ease of installation, high angle bias ability and elimination of unsightly external fasteners.



**INTERIOR GUIDE CHANNEL**  
 Channel forms lower limit of raceway for retaining rod and allows for high angle bias ability.

**FORERUNNER™ RAIL**  
 "U"-Channel specially formed high strength architectural shape.

Values shown are nominal and not to be used for installation purposes. See product specification for installation requirements.



FENCE TYPE

FENCE PANEL DETAIL

211 BRADENTON AVE.  
 Dublin, OH 43017

Designed By: MICHAEL COYLE  
 Drawn By: MICHAEL COYLE  
 Approved By: MICHAEL COYLE  
 Date: MAY 12, 2021

Sheet Title:  
**FENCE DETAILS**

Scale:  
 NTS

Sheet No.  
 FE - 1.1