

5750 Chandler Court  
 Westerville, OH 43082  
 E-Mail: hoyssinc@aol.com  
 Phone (614) 895-1922  
 Survey Fax (614) 895-1949  
 Construction Fax (614) 895-9549



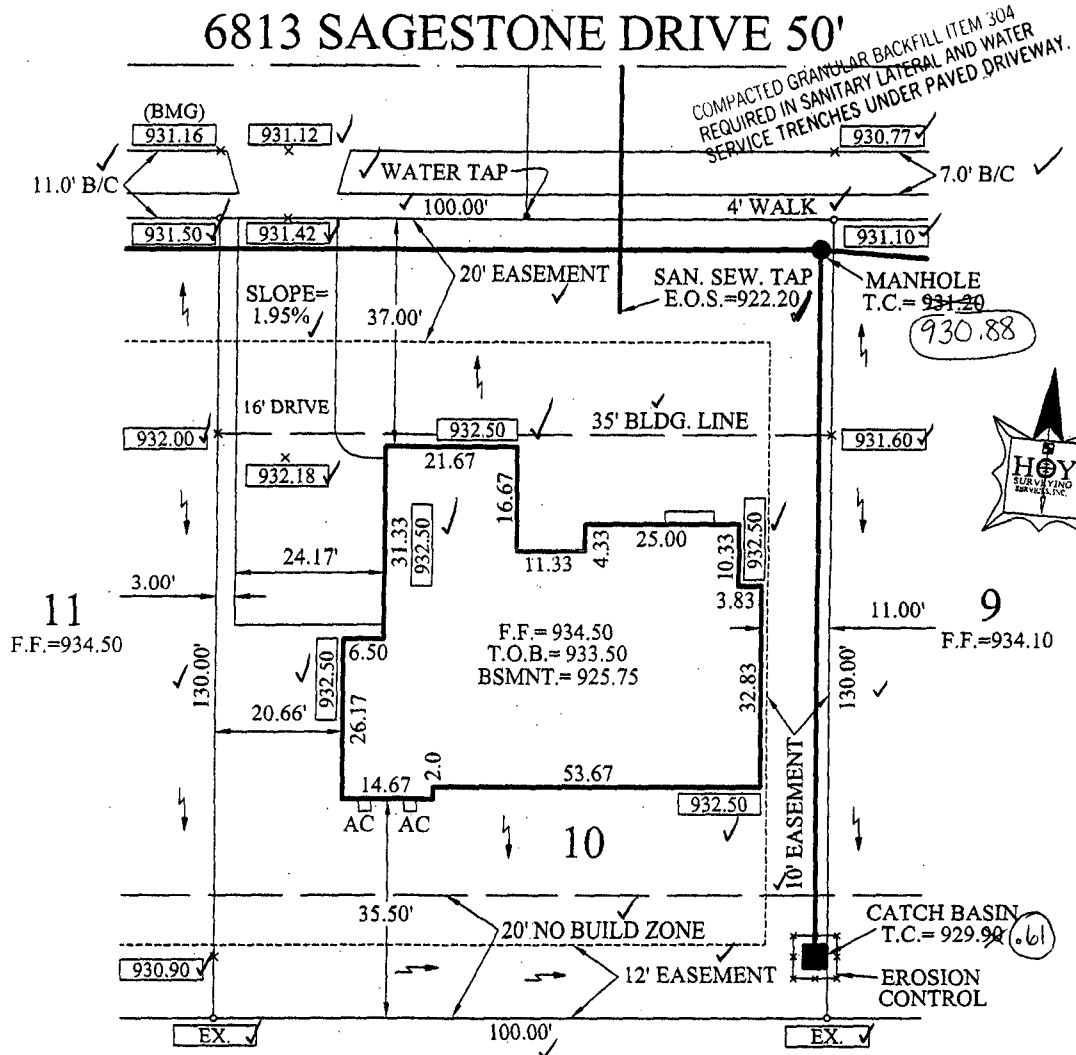
REVISION DATE & REQUEST	
▲	
▲	
▲	
▲	

FOR VIRGINIA HOMES HOUSE STYLE CUSTOM  
 LOT/SUBDIVISION 10 BISHOP'S RUN SECT. 1 CITY OF DUBLIN  
 SCALE 1" = 20' PB. 5 PG. 120 DATE 01.16.07 ORDER NO. \_\_\_\_\_ DRN. TB/NV CK. \_\_\_\_\_  
 FLOOD ZONE X COMM. PANEL 390808 PAGE 0150B DATE 09/27/91  
 MINIMUMS R: 25% S: 6'/14'

\*"NOTE: WATER SERVICE SIZE = 3/4" ✓ BUILDER TO MAINTAIN EROSION CONTROL

NOTE: BUILDERS TO PROVIDE TREE PROTECTION DURING ALL PHASES OF CONSTRUCTION.

### 6813 SAGESTONE DRIVE 50'



"LANDSCAPE CODE REQUIRES AT LEAST THREE, 2-1/2 INCH DECIDUOUS TREES IN THE FRONT YARD OF THIS LOT. INSTALLATION WILL OCCUR DURING THE LANDSCAPE PHASE OF THE HOUSE. PLACEMENT OF THE THREE TREES WILL BE FIELD-VERIFIED BY THE CITY OF DUBLIN PRIOR TO INSTALLATION."

I HEREBY CERTIFY THAT THE GRADE ELEVATIONS SHOWN ON THIS PLOT PLAN ARE THE RESULT OF AN "AS BUILT" SURVEY PERFORMED ON

ENGINEERING COMPLIANCE  
 City of Dublin  
 APPROVED AS NOTED  
 EPP 01.24.07

PLOT PLAN  
 We hereby certify that the foregoing PLOT PLAN was prepared from information provided by the Client and data obtained from Engineered Subdivision Plan. This Plot Plan is to be used by the Client for the sole purpose of obtaining a building permit. The use of the Plot Plan for any other purpose is strictly prohibited.

SQUARE FOOTAGE DATA FOR HOME BUILDER PRICING AND ESTIMATION PURPOSES ONLY			
LOT	13,000.0	WALK	336.0
HOUSE	3034.0	SDD COV.	9258.0
DRIVE	1282.0	LOT COV.	23.34%
APPROACH	190.0		

SURVEYOR OR BUILDER SIGNATURE \_\_\_\_\_ DATE \_\_\_\_\_

By *Steven J. Hoy*







PRESENTED BY

STRUXURE BY EPIC GROUP

PROJECT

SHAFFER, JODY

ADDRESS

6813 SAGESTONE DR.

DUBLIN, OH 43016

CONTRACT NO.

21033388

**STRUXURE**<sup>TM</sup>  
OUTDOOR

STRUXURE OUTDOOR INC.  
154 ETHAN ALLEN DRIVE  
DAHLONEGA, GA



SHEET INDEX

TITLE	SHEET NO.
COVER PAGE	A100
PERSPECTIVE VIEW	A101
TOP VIEW	A102
BEAMS & GUTTER PLAN	A103
SECTION A-A	A104
SECTION B-B	A105
DETAILS	A106
DETAILS	A107
DETAILS	A108
DETAILS	A109
DETAILS	A110
DETAILS	A111
DETAILS	A112
DETAILS	A113
DETAILS	A114
REVISIONS	A115

NOTES

FRAME: BRONZE  
LOUVERS: BRONZE  
ELEVATION: AT GRADE

DURING SUCH PERIODS OF TIME AS ARE DESIGNATED BY THE U.S. WEATHER BUREAU AS A HIGH WIND OR SNOW ADVISORY FOR THE AREA, THIS SYSTEM MUST BE LOCKED IN THE OPEN POSITION, WITH THE LOUVER BLADES VERTICAL. THE STRUCTURE SHALL ALSO NOT BE WALKED UPON AND IS NOT DESIGNED FOR HUMAN ACTIVITY OR STORAGE.

**STRUXURE**<sup>TM</sup>  
OUTDOOR  
154 ETHAN ALLEN DR.  
DAHLONEGA, GA 30553  
(800) 303-5248

SHAFFER, JODY  
6813 SAGESTONE DR.  
DUBLIN, OH 43016

REVISIONS

DESCRIPTION

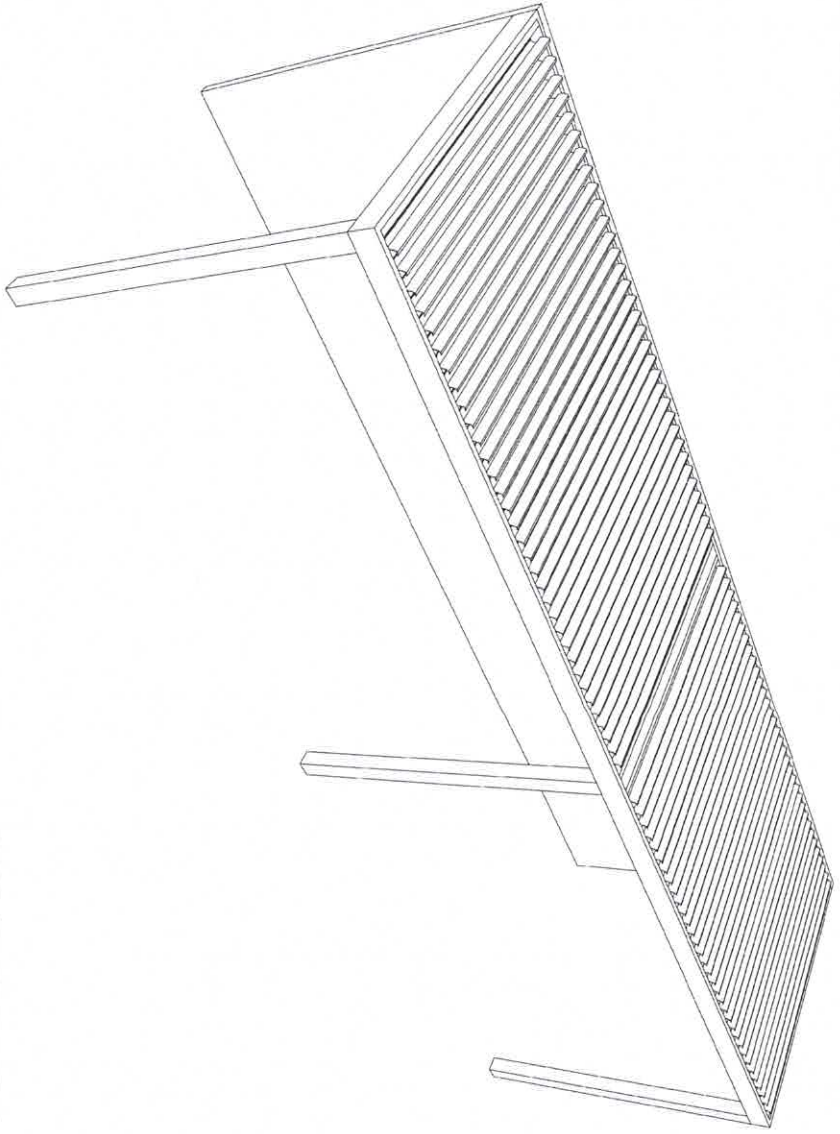
DATE  
05/04/21

DRAWN BY  
I.S.S

SCALE

SHEET NO.

A 100



ABBREVIATIONS

LEGEND

**STRU<sup>®</sup>XURE™**  
OUTDOOR  
154 ETHAN ALLEN DR.  
DAHLONEGA, GA 30553  
(800) 303-5248

**SHAFFER, JODY**  
6813 SAGESTONE DR.  
DUBLIN, OH 43016

REVISIONS

PERSPECTIVE  
VIEW

DATE  
05/04/21

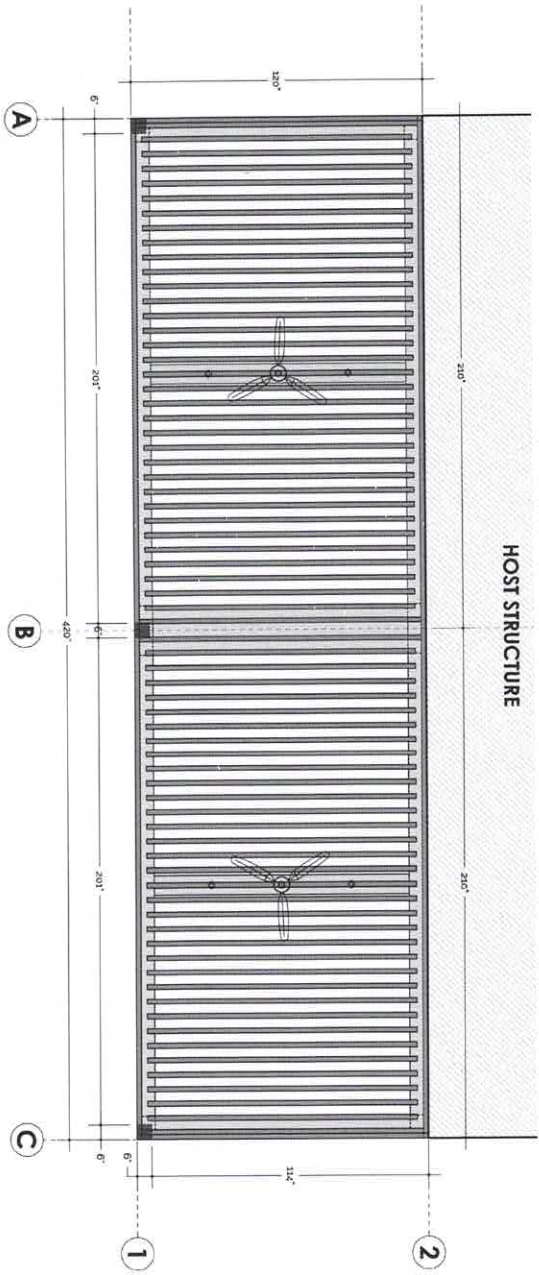
DRAWN BY  
J.S

SCALE

SHEET NO

A 101

Aluminum Type:  
Louvers 6063-15  
All Other Components 6063-16



1 TOP VIEW  
SCALE: 1/4" = 1'-0"



**STRUKURE™**  
OUTDOOR  
154 ETHAN ALLEN DR.  
DAHLONEGA, GA 30553  
(800) 303-5248

**SHAFFER, JODY**  
6813 SAGESTONE DR.  
DUBLIN, OH 43016

REVISIONS

TOP VIEW

DATE  
05/03/21

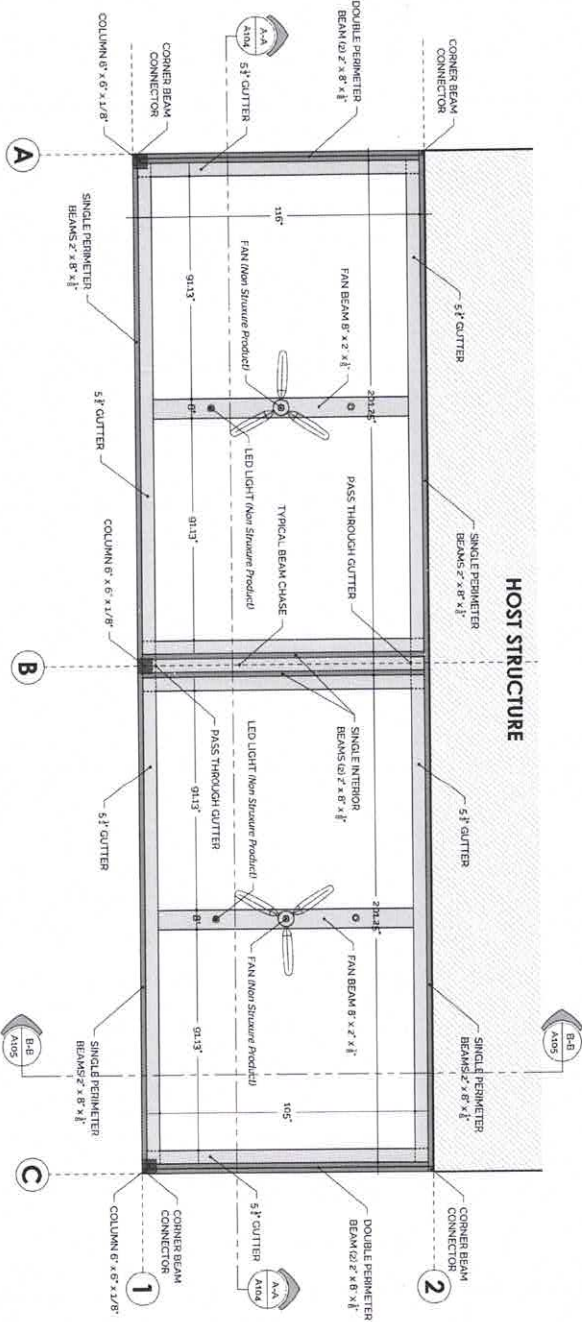
DRAWN BY  
I&S

SCALE  
1/4" = 1'-0"

SHEET NO.

A 102

Aluminum Type:  
Louvers 6063-15  
All Other Components 6063-16



**1 BEAMS & GUTTER PLAN**  
SCALE: 1/4" = 1'-0"

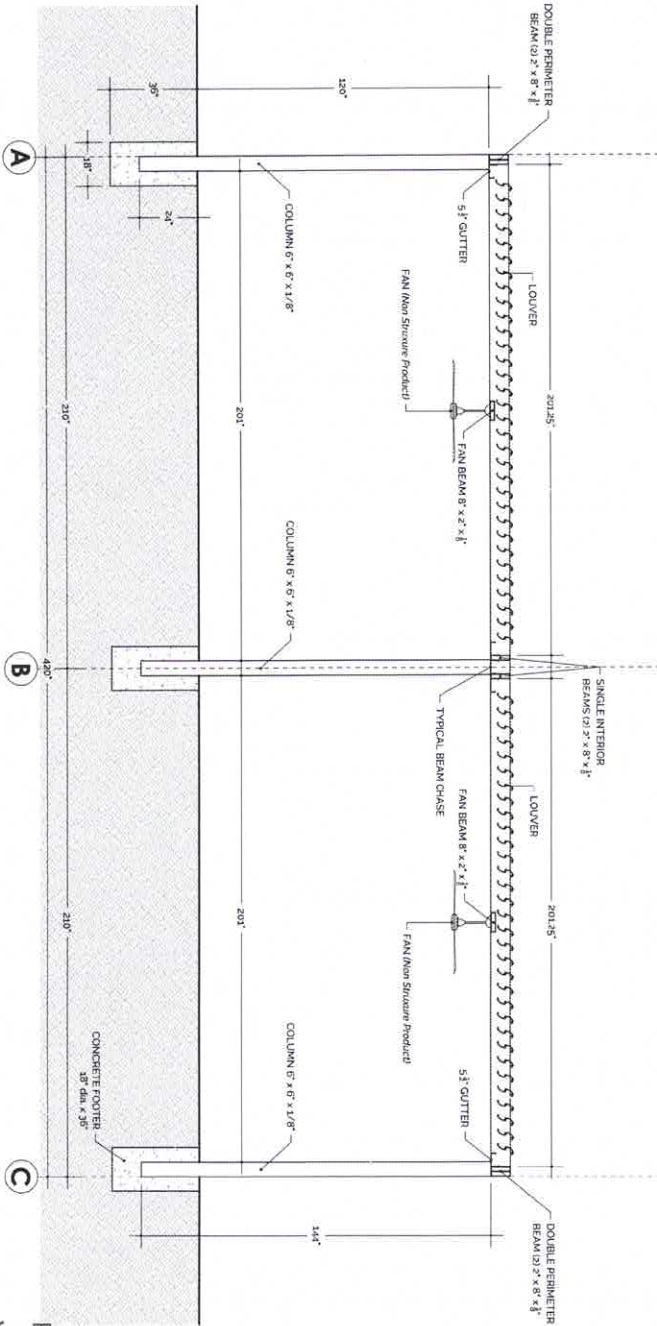


**STRUXURE™**  
OUTDOOR  
154 ETHAN ALLEN DR.  
DUBLONE, GA 30553  
(800) 303-5246

**SHAFFER, JODY**  
6813 SAGESTONE DR.  
DUBLIN, OH 43016

REVISIONS
DATE: 05/04/21
DRAWN BY: I&S
SCALE: 1/4" = 1'-0"
SHEET NO: A 103
BEAMS & GUTTER PLAN

Aluminum Type:  
Louvers 6063-T5  
All Other Components 6063-T6



1 SECTION A-A  
SCALE: 1/4" = 1'-0"



**STRUKURE™**  
OUTDOOR  
154 ETHAN ALLEN DR.  
DAHLONGA, GA 30553  
(800) 303-5248

**SHAFFER, JODY**  
6813 SAGESTONE DR.  
DUBLIN, OH 43016

REVISIONS

SECTION  
A-A

DATE  
05/04/21

DRAWN BY  
I&S

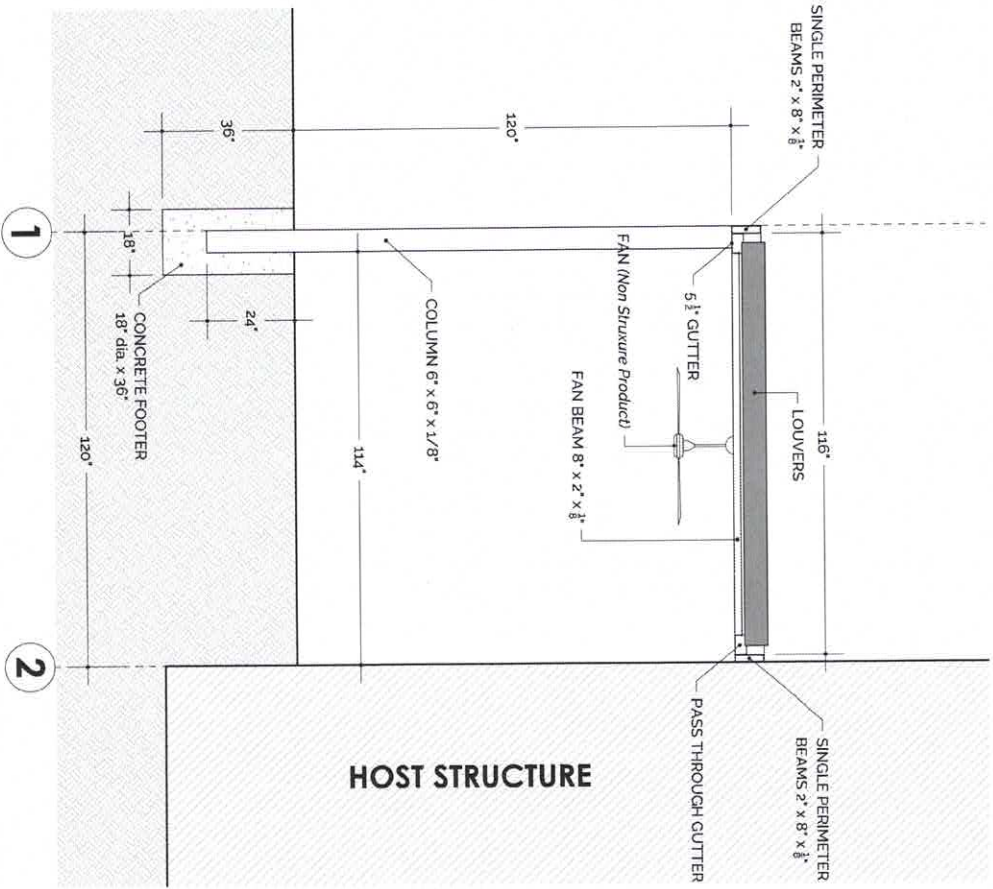
SCALE  
1/4" = 1'-0"

SHEET NO.

A 104



Aluminum Type:  
Louvers 6063-15  
All Other Components 6063-16

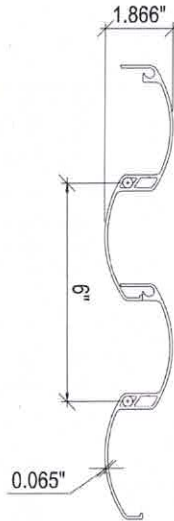
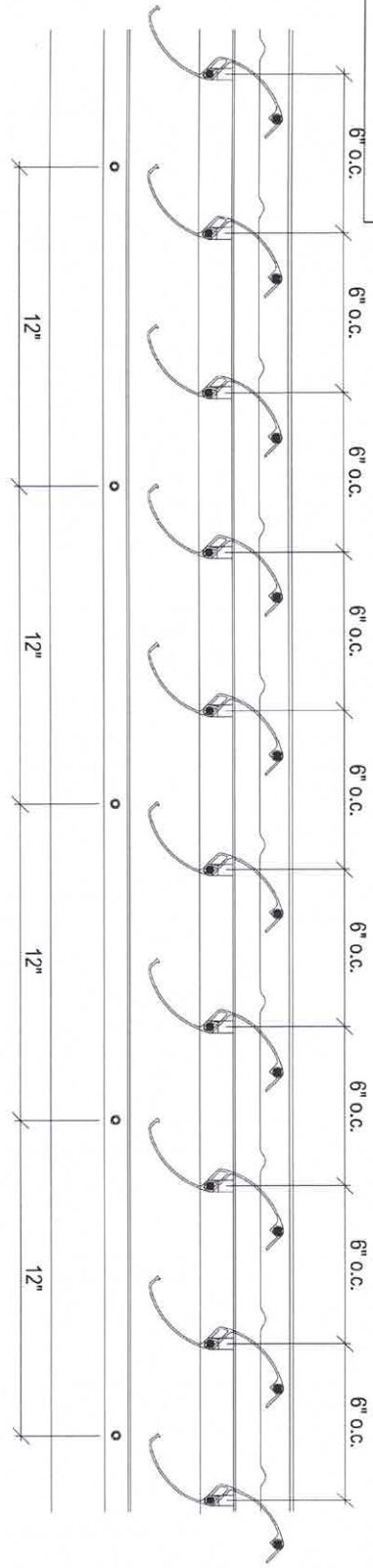


**SECTION B-B**  
SCALE: 3/8" = 1'-0"

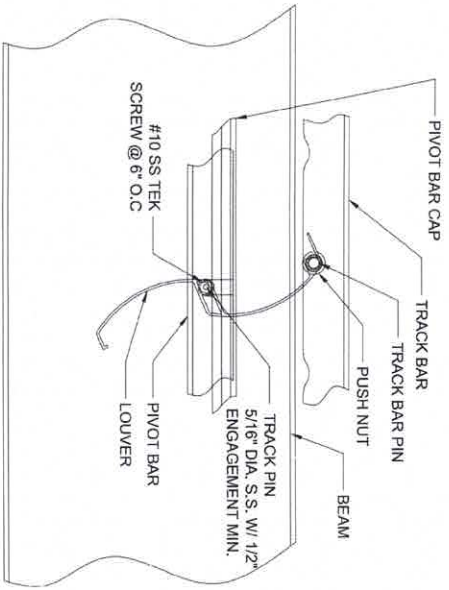


<p><b>STRUKURE™</b> OUTDOOR</p> <p>154 ETHAN ALLEN DR. DUBLINGEN, GA 30553 (800) 303-5248</p>		<p><b>SHAFFER, JODY</b> 6813 SAGESTONE DR. DUBLIN, OH 43016</p>		<p>REVISIONS</p>
<p>SECTION B-B</p>		<p>DATE 05/04/21</p>		<p>DATE 05/04/21</p>
<p>SHEET NO. A 105</p>		<p>DRAWN BY I&amp;S</p>		<p>SCALE 3/8" = 1'-0"</p>

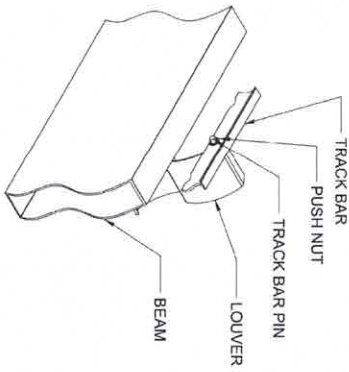
Aluminium Type:  
Louvers 6063-15  
All Other Components 6063-T6



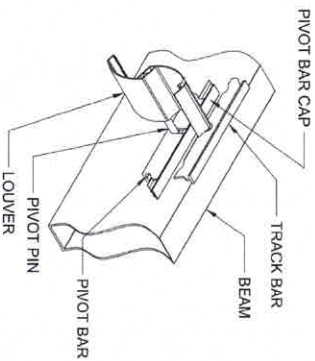
LOUVERS DETAIL



SIDE VIEW



ISOMETRIC OUT-SIDE VIEW



ISOMETRIC IN-SIDE VIEW

STRUKURE™  
OUTDOOR  
154 ETHAN ALLEN DR.  
DUBLIN, OH 43053  
(800) 303-5248

SHAFFER, JODY  
6813 SAGESTONE DR.  
DUBLIN, OH 43016

REVISIONS

DETAILS

DATE  
05/04/21

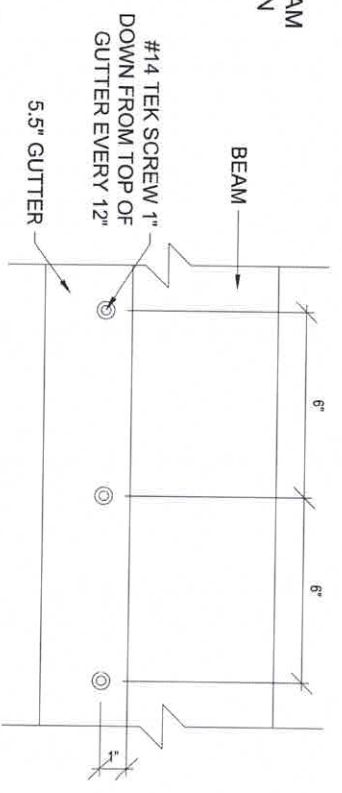
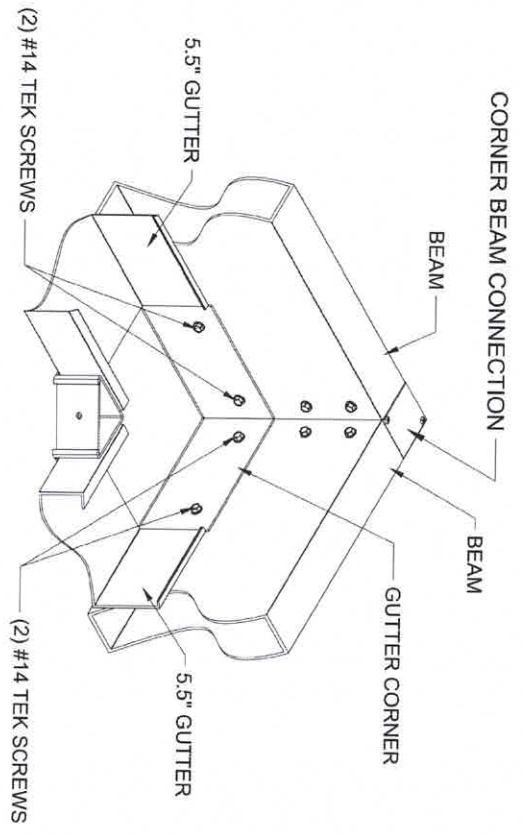
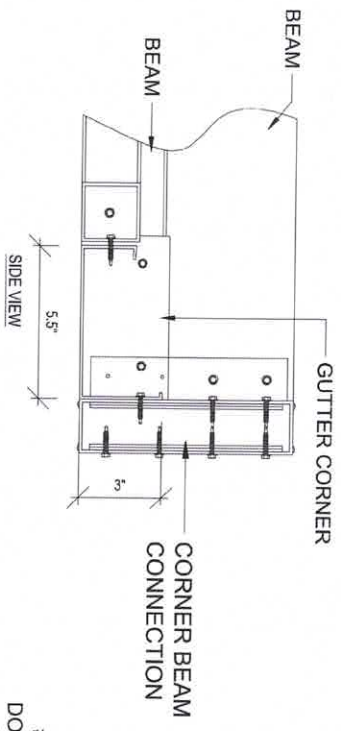
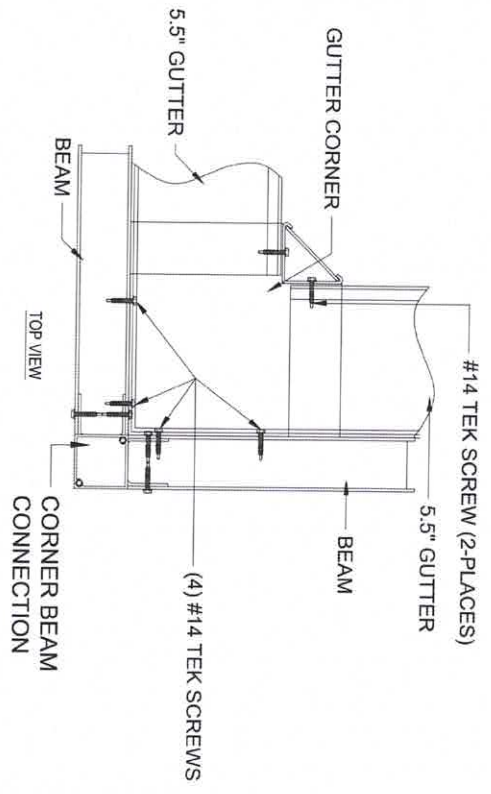
DRAWN BY  
I&S

SCALE  
N.T.S.

SHEET NO.

A 106

Aluminum Type:  
Louvers 6063-175  
All Other Components 6063-176



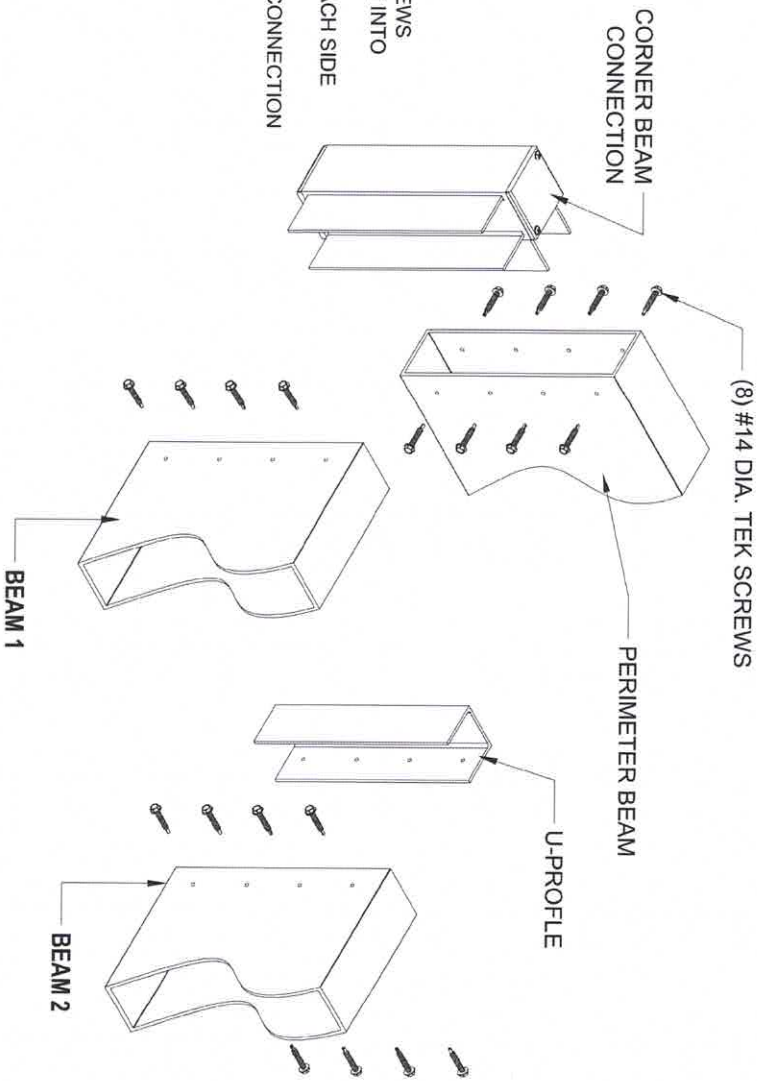
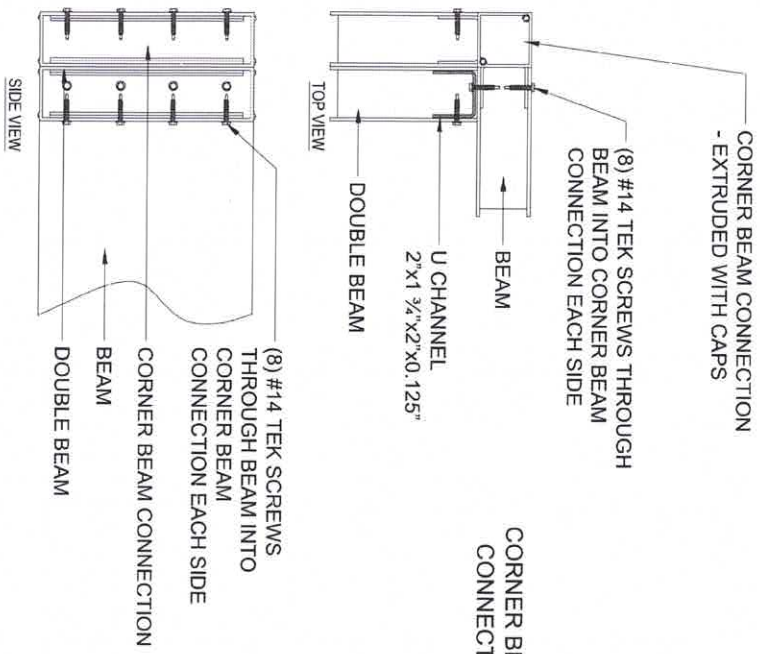
**GUTTER ASSEMBLY**

**STRU<sup>®</sup>XURE™**  
OUTDOOR  
154 ETHAN ALLEN DR.  
DAHLONEGA, GA 30553  
(800) 303-5248

**SHAFFER, JODY**  
6813 SAGESTONE DR.  
DUBLIN, OH 43016

REVISIONS
DATE 05/04/21
DRAWN BY I&S
SCALE N.T.S.
SHEET NO A 107

Aluminum Type:  
Louvers 6063-T5  
All Other Components 6063-T6



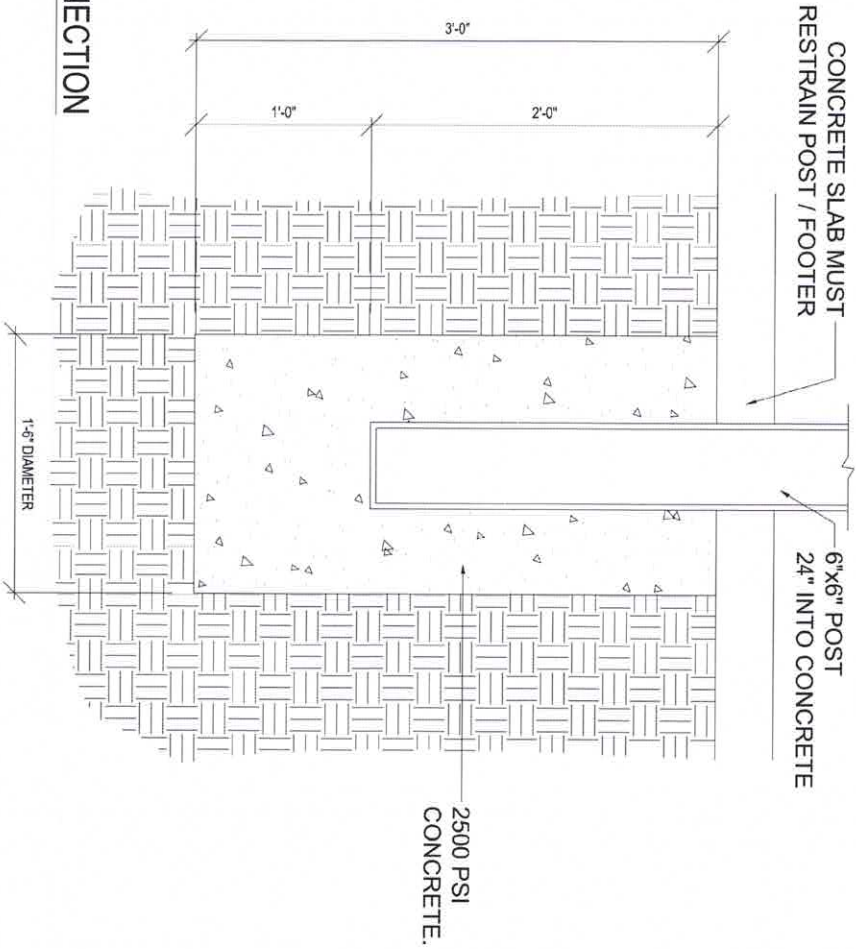
**TYPICAL CORNER ASSEMBLY  
DOUBLE PERIMETER BEAM TO BEAM**

**STRUXURE™**  
OUTDOOR  
154 ETTAN ALLEN DR.  
DAHLONEGA, GA 30533  
(800) 303-5248

**SHAFFER, JODY**  
6813 SAGESTONE DR.  
DUBLIN, OH 43016

REVISIONS
DETAILS
DATE 05/04/21
DRAWN BY I&S
SCALE N.T.S.
SHEET NO. A 108

Aluminum Type:  
Louvers 6063-T5  
All Other Components 6063-T6



**POST TO FOOTER CONNECTION**

**STRU-XURE**  
OUTDOOR  
154 ETHAN ALLEN DR.  
DUBLIN, OH 43016  
(600) 303-5248

**SHAFFER, JODY**  
6813 SAGESTONE DR.  
DUBLIN, OH 43016

REVISIONS

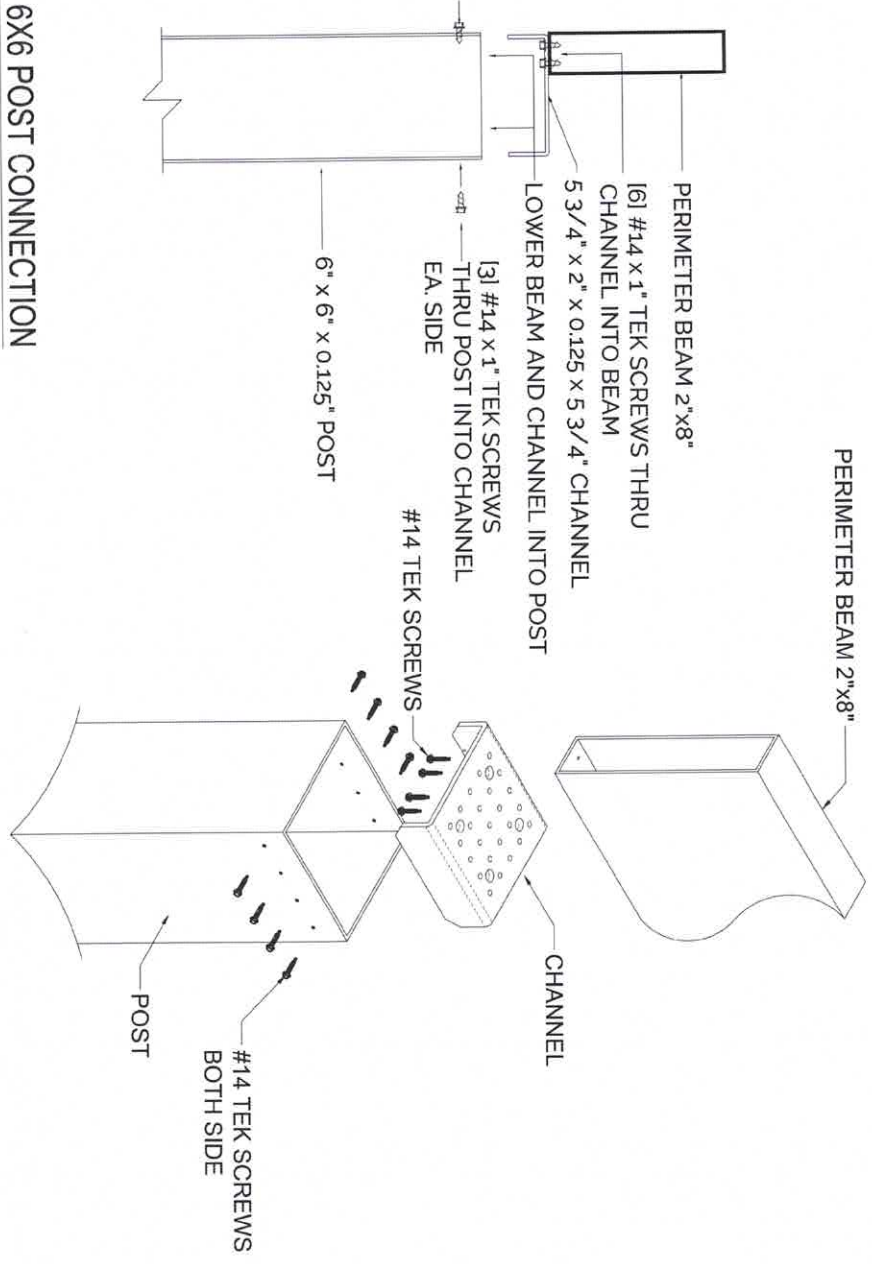
DETAILS

DATE  
05/04/21

DRAWN BY  
I&S

SCALE  
N.T.S.

SHEET NO.  
A 109



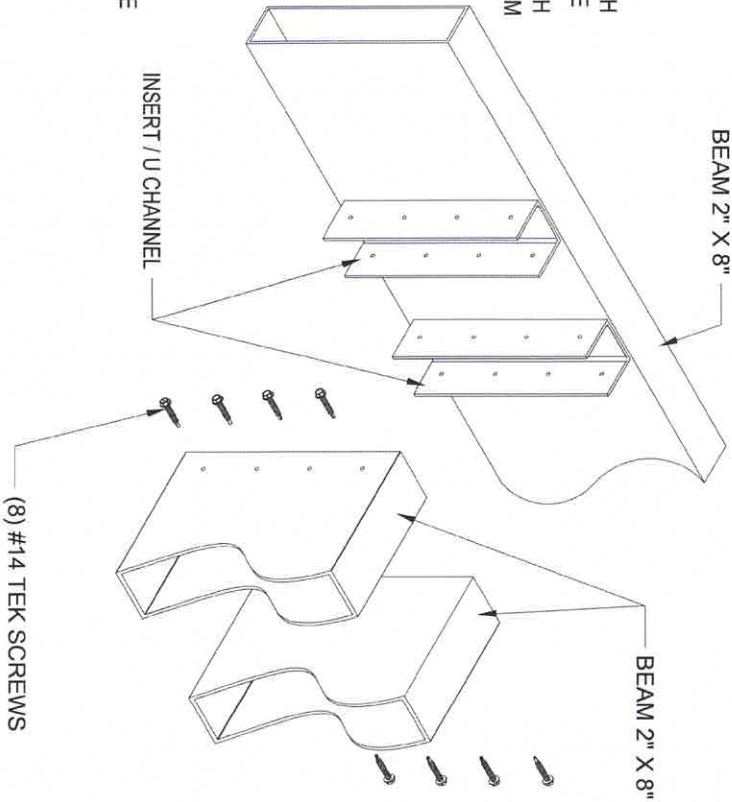
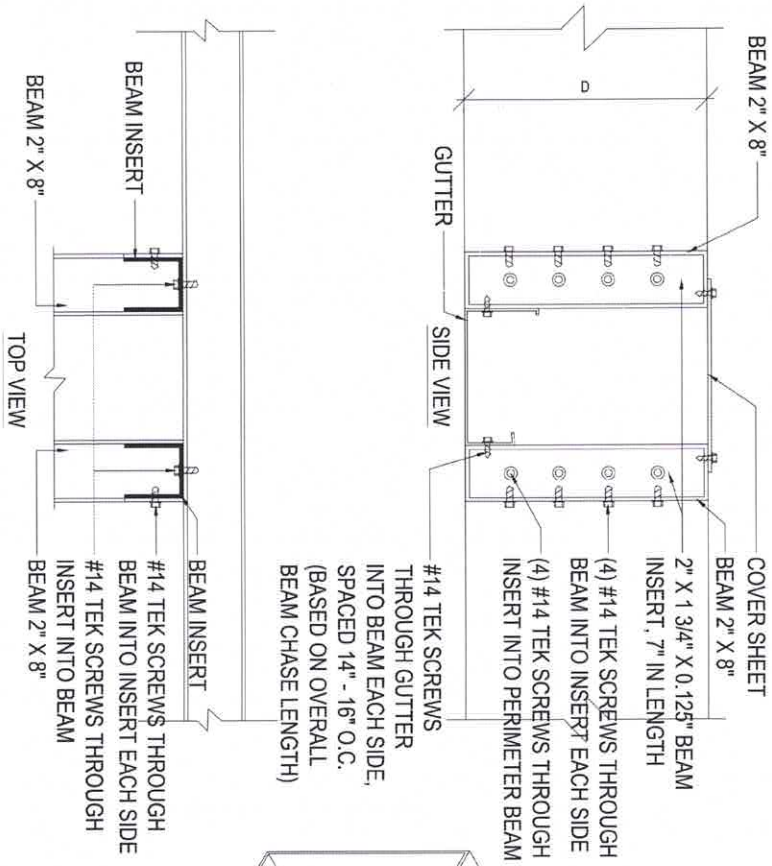
**SINGLE BEAM TO 6X6 POST CONNECTION**

**STRU<sup>®</sup>KURE™**  
OUTDOORS  
154 ETHAN ALLEN DR.  
DAHLONEGA, GA 30553  
(800) 303-5248

**SHAFFER, JODY**  
6813 SAGESTONE DR.  
DUBLIN, OH 43016

REVISIONS
DETAILS
DATE 05/04/21
DRAWN BY I&S
SCALE N.T.S.
SHEET NO A 110

Aluminum Type:  
Louvers 6063-15  
All Other Components 6063-16

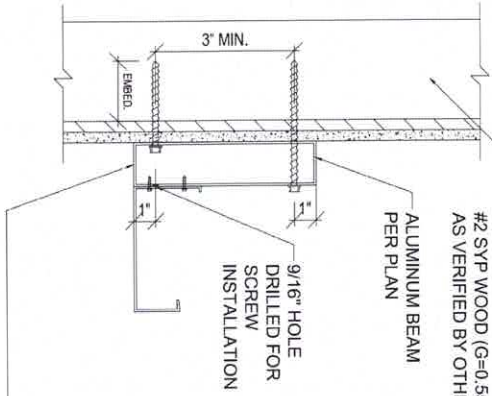


**TYPICAL BEAM CHASE TO BEAM CONNECTION**

<p><b>STRUKURE™</b> OUTDOOR</p> <p>154 ETTAN ALLEN DR. DAHLONEGA, GA 30553 (800) 303-5248</p>		<p><b>SHAFFER, JODY</b> 6813 SAGESTONE DR. DUBLIN, OH 43016</p>	
<p>REVISIONS</p>			
<p>DETAILS</p>			
DATE	05/04/21		
DRAWN BY	I&S		
SCALE	N.T.S.		
SHEET NO	A 111		

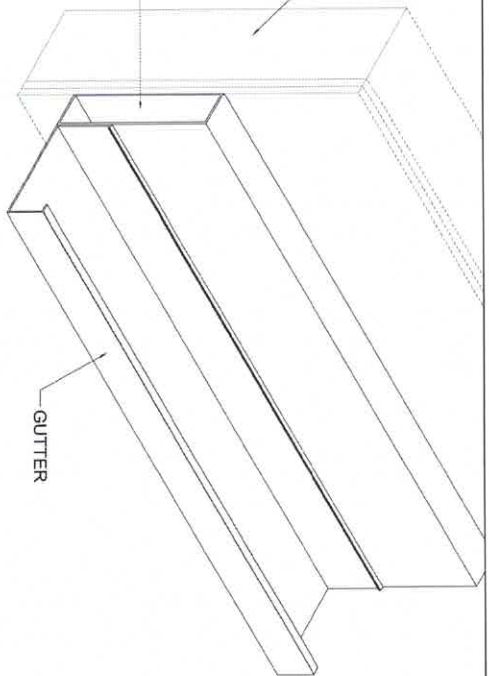
Aluminum Type:  
Louvers 6063-15  
All Other Components 6063-16

EXISTING HOST STRUCTURE SHALL BE EITHER  
3000 PSI POURED CONCRETE, OR  
ASTM90 HOLLOW / GROUT-FILLED CMU OR  
#2 SYP WOOD (G=0.55)  
AS VERIFIED BY OTHERS

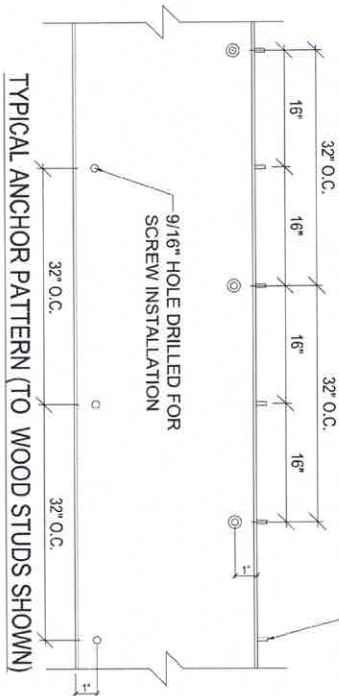


PERIMETER BEAM

HOST STRUCTURE



TYPICAL 16\"/>



TYPICAL ANCHOR PATTERN (TO WOOD STUDS SHOWN)

FOR CONCRETE ATTACHMENT:  
[2] 1/4\"/>

FOR WOOD ATTACHMENT:  
[2] 1/4\"/>

FOR HOLLOW CMU ATTACHMENT:  
[2] 1/4\"/>

**BEAM TO HOST STRUCTURE CONNECTION**

**STRU<sup>X</sup>KURE<sup>™</sup>**  
OUTDOOR  
154 ETHAN ALLEN DR.  
DAHLONEGA, GA 30553  
(800) 303-5248

**SHAFFER, JODY**  
6813 SAGESTONE DR.  
DUBLIN, OH 43016

REVISIONS

DETAILS

DATE  
05/04/21

DRAWN BY  
I&S

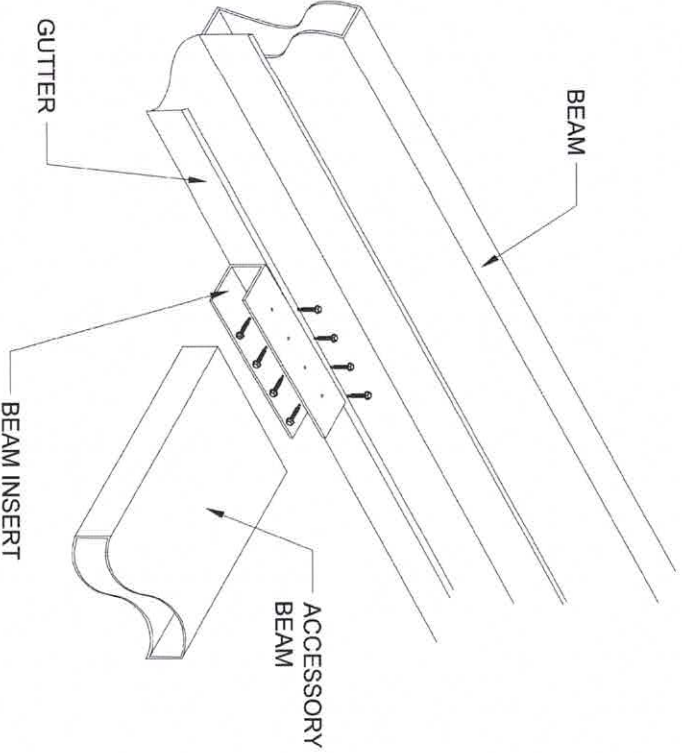
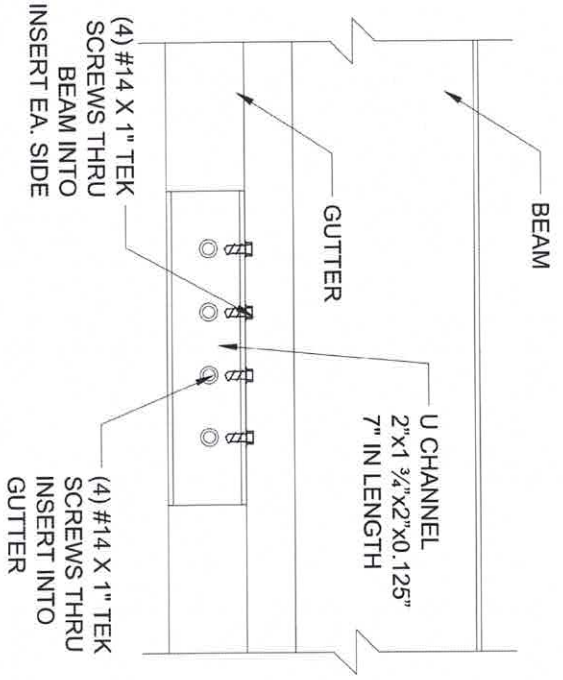
SCALE  
N.T.S.

SHEET NO.

A 112



Aluminum Type:  
Louvers 6063-T5  
All Other Components 6063-T6



**FAN BEAM CONNECTION**

**STRU<sup>X</sup>KURE™**  
OUTDOOR  
154 ETHAN ALLEN DR.  
DAHLONEGA, GA 30553  
(800) 303-5248

**SHAFFER, JODY**  
6813 SAGESTONE DR.  
DUBLIN, OH 43016

REVISIONS

DETAILS

DATE  
05/04/21

DRAWN BY  
I&S

SCALE  
N.T.S.

SHEET NO.

**A 113**

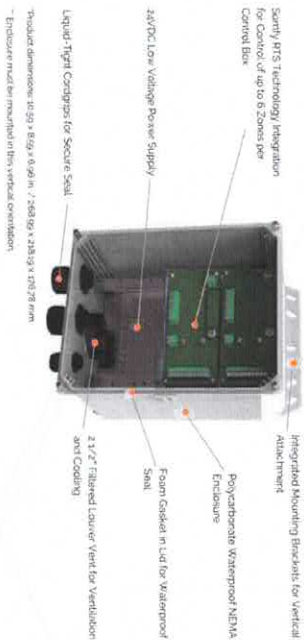
## LOUVERED ROOF MOTOR



### SOME FYI TECHNICAL SPECIFICATIONS

<b>VOLTAGE</b>	Input Voltage	NDCI	24
<b>LOAD</b>	Static Load (Ft.) max.	Nt/lbft	2500 / 682
	Dynamic Load (Ft.) max.	Nt/lbft	2500 / 682
<b>STROKE</b>	Stroke length, standard	lmmf	140
	Current consumption, rated load	lA	1.875
<b>GENERAL DATA</b>	Speed, no load	lmm/s	3.4
	Speed, rated load	lmm/s	2.8
	Operating temperature limits	l°C	-10°/60
	Service life	lCycles	+10,000
	Sound level	l(dBA)	+70
Lead screw type		ACME	
Protection class		IP66	
Certificates		CE (EN60601-1)	
Insulation		CLASS III	

## LOUVERED PERGOLA CONTROL



### COMPONENT RATINGS AND CERTIFICATIONS

<b>POWER SUPPLY</b>	Input Voltage	l(VAC)	115/230
	Input Voltage Frequency/Range	l(Hz)	47 - 63
	Output Voltage	l(VDC)	24
	Voltage Adjustable Range	l(VDC)	21.5 - 28.8V
	Current Range	l(A)	0 - 14.6
	Rated Power	l(W)	350.4
	Safety Standard	lUL Certification	UL500950-1
<b>POWER SUPPLY CABLE (NOT SHOWN)</b>	Safety Standard	lETL Certification	#3270291
	Voltage Rating	l(V)	300
	Temperature Rating	l(°F)	-40 to 158
<b>ENCLOSURE</b>	Safety Standard	lUL Certification	UL598A
	File Number	lFile Number	E323927
	Temperature Range	l(°F)	-40 to 257
	Insect Resistance	l(In/lb)	500
	Dielectric Strength	l(volts/mil)	380
	UV Rating	lUL Certification	UL 746C
	Flammability Rating	lUL Certification	UL 94

STRUXURE™  
OUTDOOR  
154 ETHAN ALLEN DR.  
DUBLIN, ON, GA 30553  
(800) 303-5248

SHAFFER, JODY  
6813 SAGESTONE DR.  
DUBLIN, OH 43016

### REVISIONS

### DETAILS

DATE	05/04/21
DRAWN BY	1&S
SCALE	N.T.S.
SHEET NO.	A 114