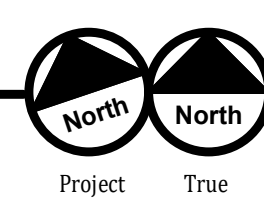


1 Site Plan
1/16" = 1'-0"



General Sheet Notes

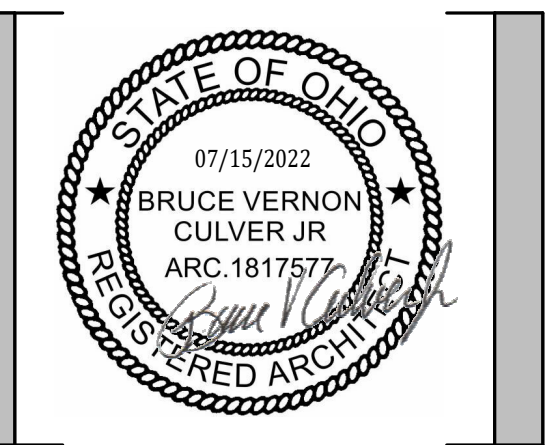
1. This drawing and the information herein is not a land survey. All depictions of site features are for reference only. Please consult with a professional land surveyor if specific site information is needed.
2. Light grey lines indicate existing scope to remain, unless otherwise noted.

Sheet Keynotes

1. Existing accessible parking spaces.
2. Existing handrailing.
3. Existing ramp.
4. Existing steps.
5. Existing screened waste receptacle enclosure.

Steward's
DRAFTING + DESIGN, LLC

Firm No.: 20314241 • Entity No.: 4280721
614-905-7410 • stewarddesign.com
3971 Hoover Rd., P.O. Box 162
Grove City, Ohio 43123



Tenant Improvement
4545 W Dublin Granville Rd, Dublin, OH

Project #: 22NRM001
Doc. Type: Construction Document
Copyright: © 2022 Steward's
Preparer: Bruce Culver Jr

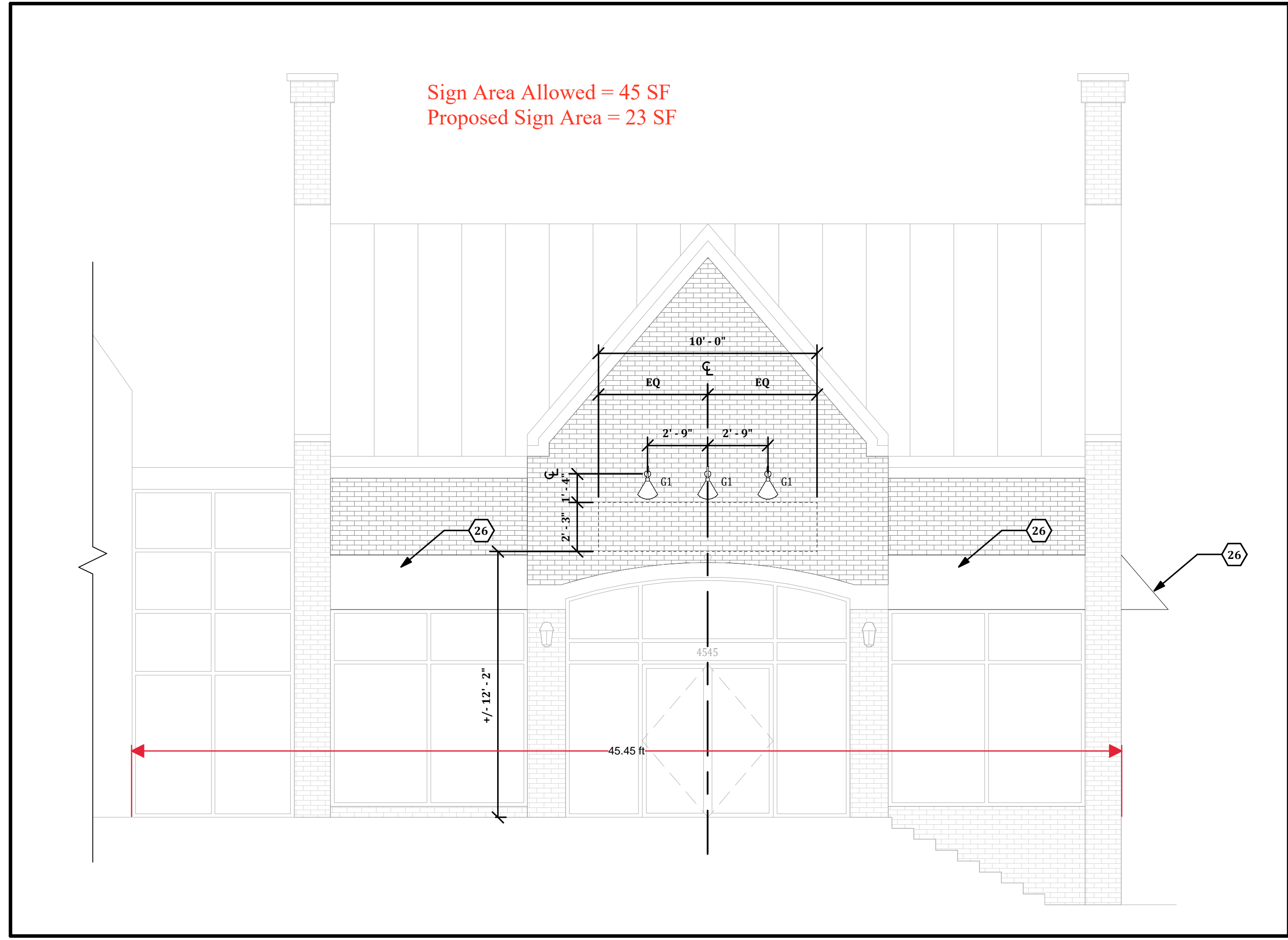
Publication Log

Δ	Description	Date
	Landlord Review	07/01/2022
	Permitting	07/15/2022

Architectural Site Plan

A-101

A
B
C
D
E
F
G
H
I
J
K
L
M



Sign Area Allowed = 45 SF
Proposed Sign Area = 23 SF

1 Front Elevation
1/4" = 1'-0"

General Sheet Notes

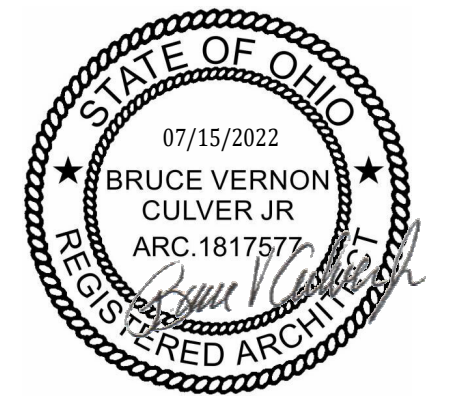
- All dimensions shown are measured to the finish face of the material, unless otherwise noted.
- Lines depicting topography are for reference only and do not reflect the actual grading of the site. Please consult with a professional land surveyor if specific topographical information is needed.
- Light grey lines indicate existing scope to remain, unless otherwise noted.

Sheet Keynotes

- Replace existing canopy fabric. Color to be confirmed with Owner.

Steward's
DRAFTING + DESIGN, LLC

Firm No.: 20314241 • Entity No.: 4280721
614-905-7410 • stewarddesign.com
3971 Hoover Rd., P.O. Box 162
Grove City, Ohio 43123



Tenant Improvement

4545 W Dublin Granville Rd, Dublin, OH

Project #: 22NRM001
Doc. Type: Construction Document
Copyright: © 2022 Steward's
Preparer: Bruce Culver Jr

Publication Log

Δ	Description	Date
	Landlord Review	07/01/2022
	Permitting	07/15/2022

Architectural Elevations - Exterior

A-201



LED PAR38

10PAR38/LED/940/F40/DIM/GULW/T20 6/1FB

Philips LED spots with a single optic beam, provide a clean beam that's free from shadows with beam angles from 15 and 40 degrees to suit every general lighting application.

Product data

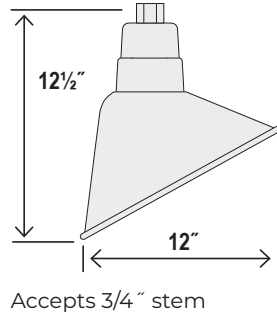
General information	
Base	E26 [Single Contact Medium Screw]
EU RoHS compliant	Yes
Nominal Lifetime (Nom)	25000 h
Switching Cycle	50000X
Light technical	
Color Code	940 [CCT of 4000K]
Beam Angle (Nom)	40 °
Initial lumen (Nom)	900 lm
Luminous Intensity (Nom)	1900 cd
Color Designation	Cool White (CW)
Correlated Color Temperature (Nom)	4000 K
Luminous Efficacy (rated) (Nom)	90.00 lm/W
Color Consistency	<4
Color Rendering Index (Nom)	90
LLMF At End Of Nominal Lifetime (Nom)	70 %
Operating and electrical	
Input Frequency	50 to 60 Hz
Power (Rated) (Nom)	10 W
Lamp Current (Nom)	97 mA
Wattage Equivalent	90 W
Starting Time (Nom)	0.5 s

Warm Up Time to 60% Light (Nom)	0.5 s
Power Factor (Nom)	0.9
Voltage (Nom)	120 V
Temperature	
T-Case Maximum (Nom)	158 °F
Controls and dimming	
Dimmable	Only with specific dimmers
Mechanical and housing	
Bulb Finish	Clear
Bulb Material	Glass
Bulb Shape	PAR38 [PAR 4.75 inch/121mm]
Approval and application	
Suitable For Accent Lighting	Yes
Energy Certifications	Energy Star
Product data	
Order product name	10PAR38/LED/940/F40/DIM/GULW/T20 6/1FB
EAN/UPC - Product	046677567910
Order code	567917

RAS12 - R SERIES 12" ANGLE SHADE

This item can be converted to a pendant or wall sconce with purchase of separate compatible downrod or goose neck. Please see compatible downrods and arms below:

- Compatible downrods: RS1, RS2, and RS3
- Compatible with arms: RGN10, RGN12, RGN13, RGN15, RGN22, RGN23, RGN24, RGN30, and RGN41
- Compatible with wire guard: RWG12



Dimensions

Width	12"
Height	12½"
Wire	100"

Finish & Material

Finishes	ABR - Architectural Bronze BP - Black Porcelain GA - Galvanized GY - Gray NB - Navy Blue NC - Natural Copper SB - Satin Black SFP - Sea Foam Porcelain SG - Satin Green SR - Satin Red WH - White WP - White Porcelain
Material	Metal

Wattage

Bulbs	1-Medium A21
Watts per Bulb	200W
Voltage	120V
Bulbs Included	No

Certification

UL Listed	Wet Location
-----------	--------------

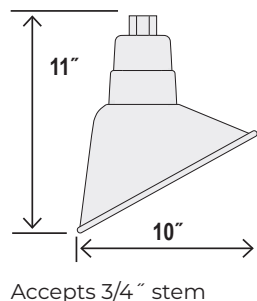
Item Number

SKU	RAS12
-----	-------

RAS10 - R SERIES 10" ANGLE SHADE

This item can be converted to a pendant or wall sconce with purchase of separate compatible downrod or goose neck. Please see compatible downrods and goose neck below:

- Compatible downrods: RS1, RS2, and RS3
- Compatible with arms: RGN10, RGN12, RGN13, RGN15, RGN22, RGN23, RGN24, RGN30, and RGN41
- Compatible with wire guard: RWG10



Dimensions

Width	10"
Height	11"
Wire	100"

Finish & Material

Finishes	ABR - Architectural Bronze BP - Black Porcelain GA - Galvanized GY - Gray NB - Navy Blue NC - Natural Copper SB - Satin Black SFP - Sea Foam Porcelain SG - Satin Green SR - Satin Red WH - White WP - White Porcelain
Material	Metal

Wattage

Bulbs	1-Medium A21
Watts per Bulb	200W
Voltage	120V
Bulbs Included	No

Certification

UL Listed	Wet Location
-----------	--------------

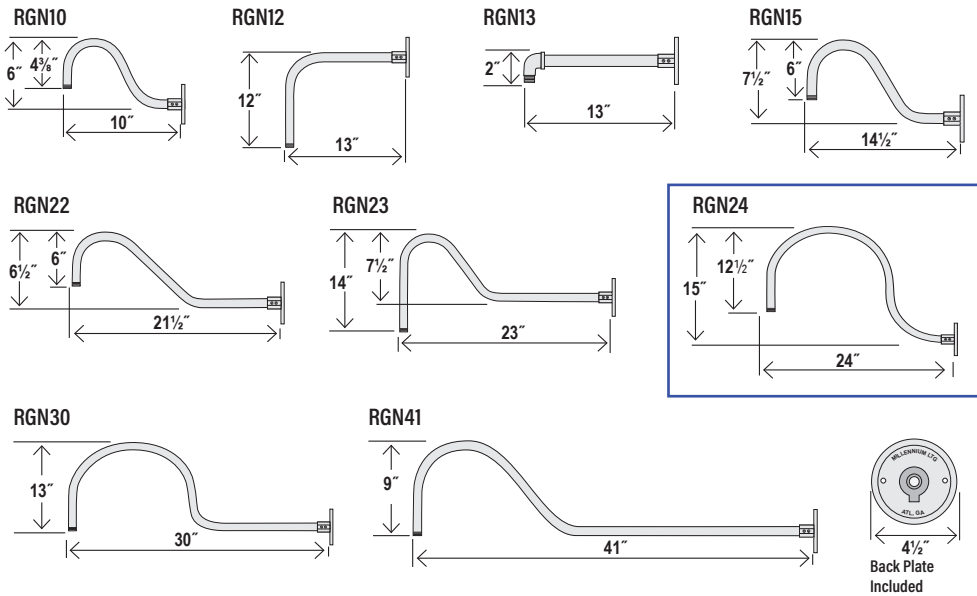
Item Number

SKU	RAS10
-----	-------

Note: All finishes on outdoor lighting must be properly maintained and treated. Therefore, we suggest cleaning with a regular application of finish preserving & renewing products such as Rejuvenate.

R SERIES OPTIONS

GOOSE NECKS - (WALL MOUNT)

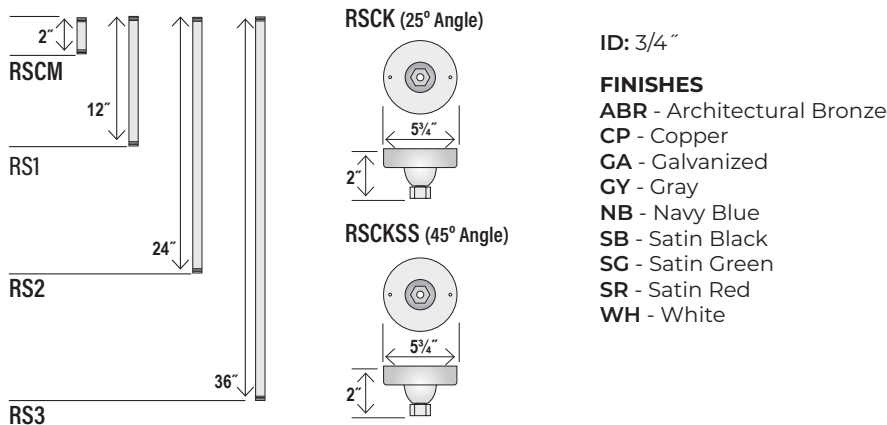


ID: 3/4"

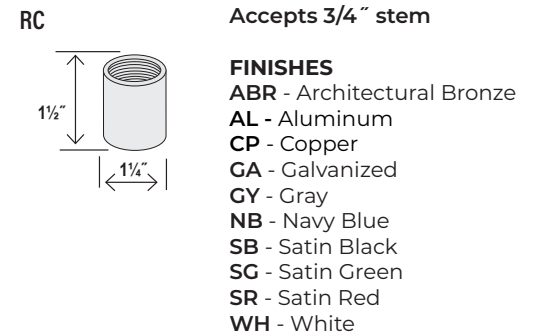
FINISHES

- ABR - Architectural Bronze
- AL - Aluminum
- ASB - Aluminum Painted Satin Black
- BP - Black Porcelain
- GA - Galvanized
- GY - Gray
- NB - Navy Blue
- NC - Natural Copper
- SB - Satin Black**
- SFP - Sea Foam Porcelain
- SG - Satin Green
- SR - Satin Red
- WH - White
- WP - White Porcelain

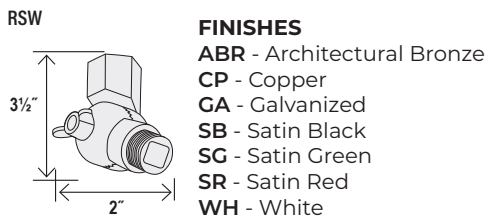
STEMS AND CANOPY KITS - (CEILING MOUNT)



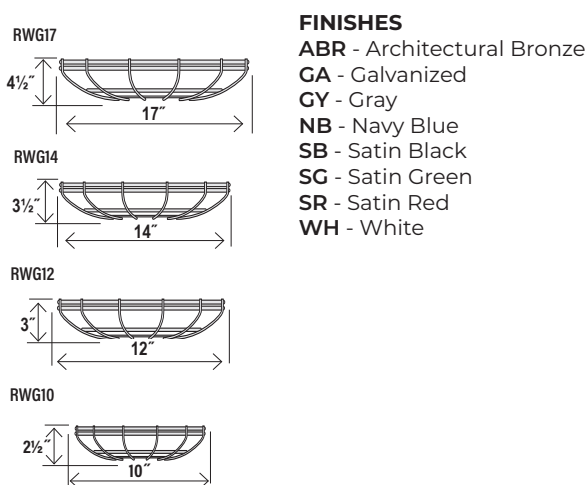
STEM CONNECTORS



WALL MOUNT SWIVELS

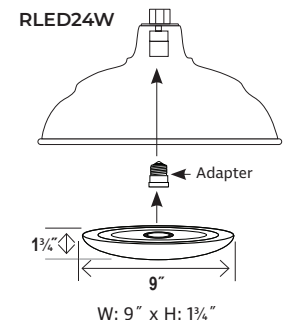


WIRE GUARDS



LED MODULE

RLED24W
This accessory is only compatible for the Warehouse Shade (i.e. RWHS14 & RWHS17).



1920 Lumens
3000K
CRI 90
Dimmable

ANERS

DUBLIN BRIDAL

roll:

QUALITY
Quick
CLEANING

WIND &
CLEANERS
Locker & Valet
SELF
SERVE
OPEN 24/7

313-315

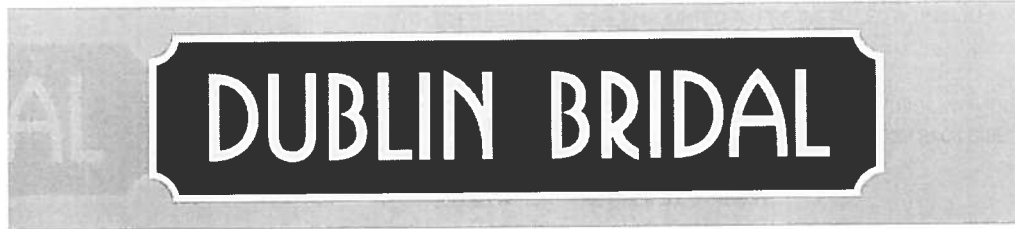
100%

100%

ONE WAY

27" Sign Color - Rookwood Dark Red - SW #2801

3'-0" Beige Sign Band



1.25"

15" 2'-3"

27" Sign Color - Rookwood Shutter Green - SW #2809

3'-0" Beige Sign Band



1.25"

15" 2'-3"

27" Sign Color - Iron Ore Gray - SW #7069

3'-0" Beige Sign Band



1.25"

15" 2'-3"

Single-Faced Tenant Sign Specifications

MASTER BACKGROUND SHAPE - CUSTOM FABRICATED .090" ALUMINUM WITH 3" DEEP RETURNS, SCREW MOUNTED TO PRE-INSTALLED ALUMINUM ANGLE MOUNTING CLIPS ON SIGN BAND.

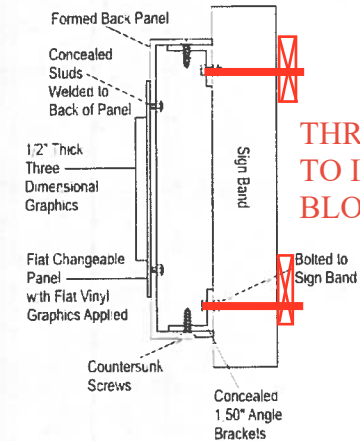
TENANTS SIGN FACE - .090" FLAT ALUMINUM WITH 1/2" THICK INDIVIDUAL CHARACTERS SCREW MOUNTED TO BACKGROUND FROM BACK SIDE

ILLUMINATION - PROVIDED BY OTHERS

COLORS:

TENANT SIGN - ~~TSS~~ SEE PHOTO

SURROUNDING BACKGROUND SHAPE - ~~LIGHT STUCCO TEXTURED FINISH OF COLOR TO MATCH SIGN BAND BEHIND~~ BRICK



THROUGH BOLT TO INTERIOR BLOCKING

SCALE 1/2" = 1'

VERIFY ALL MEASUREMENTS AND DIMENSIONS PRIOR TO PRODUCTION

©COPYRIGHT 2018 SIGNCOM, INC. • 527 WEST RICH STREET • COLUMBUS, OHIO 43215 • TEL: 614-228-9999 • FAX: 614-228-4326 • info@signcominc.com



CLIENT APPROVAL *[Signature]* DATE 4/30/18

PRODUCTION ART REQUIRED
Colors on Printed Documents May Vary

PROJECT NAME DUBLIN BRIDAL / DUBLIN PLAZA
LOCATION 313 W. BRIDGE ST.
CITY COLUMBUS STATE OHIO

REVISION _____

SALES MEL
DESIGN RAF
SIZE 14

DATE 4-18-18
SCALE Noted
PROJECT# 18265

